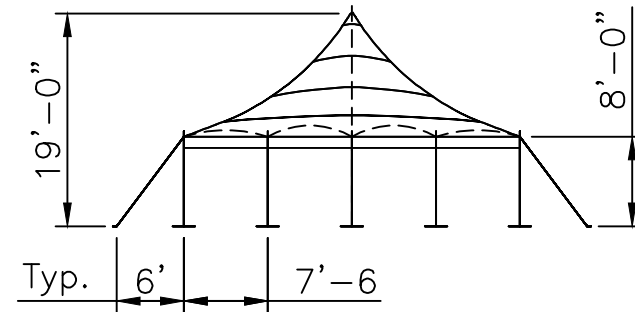
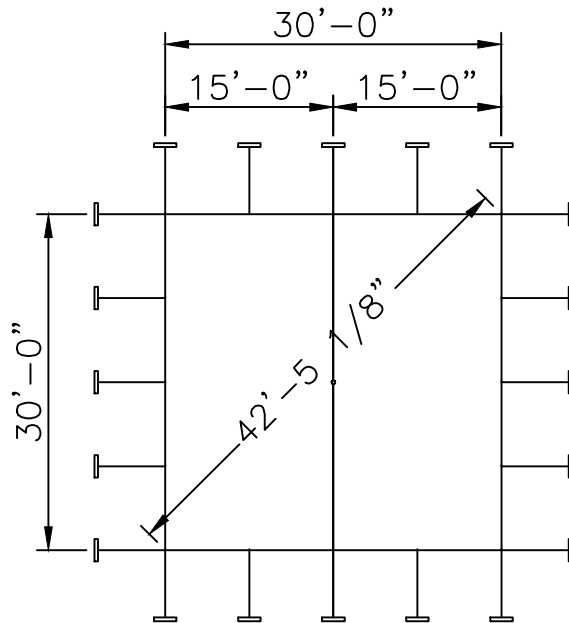


Side View



End View



Top View

30x30 PT SE U

Std/Opt	Qty	Part#	Description
Standard 12047	2	12047-E	30'x15' End Section
Option A 11883	1	14116	19' - 4" Sch. 40 Alum Center Pole 2pc
	16	14270	8' - 2" Sch. 40 Alum Side Pole
Option B	1	14116-CH	19' - 4" Sch. 40 Alum Center Pole 2pc - Cherry Finish
	16	14270-CH	8' - 2" Sch. 40 Alum Side Pole - Cherry Finish
Option C	1	14116-KP	19' - 4" Sch. 40 Alum Center Pole 2pc - Pine Finish
	16	14270-KP	8' - 2" Sch. 40 Alum Side Pole - Pine Finish
Standard 11916	20	15245	Lashing Winch & Mounting Plate
	20	14874	Stake Bar
	20	14867	14' Web W/ Twisted Hook
	60	15228	1 1/8"x42" Dbl Headed Stakes

Fred's Standard
30 x 30 Series "SE"
Pole Tent

PROPRIETARY INFORMATION
THE DATA AND DETAILS SHOWN ON THIS PAGE ARE THE
SOLE PROPERTY OF FRED'S TENTS & CANOPIES. IT MAY
NOT BE USED, DISCLOSED, OR DUPLICATED IN ANY WAY.

FRED'S TENTS & CANOPIES

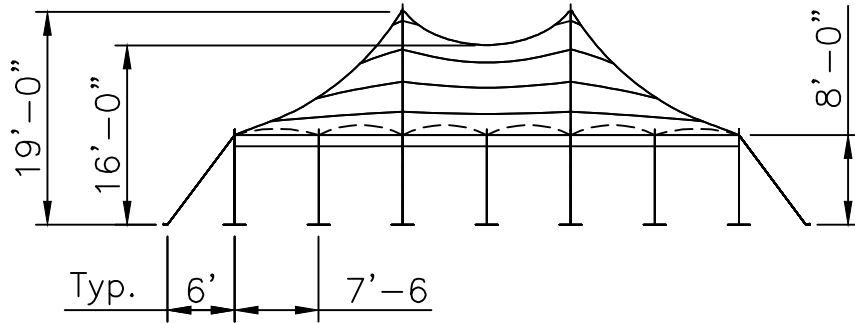
Waterford, NY 12188
www.wemaketents.com • 518.233.8368

DRAWN BY: MO	APP. BY: TV	APP. BY:	DATE: 9-26-16	LAST REV BY:
--------------	-------------	----------	---------------	--------------

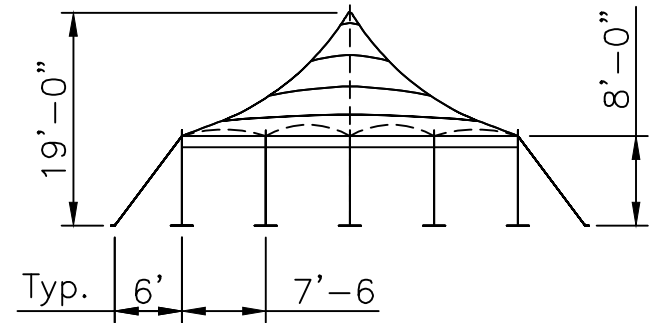
ITEM# Fabric: 12048

Poke package: 11884

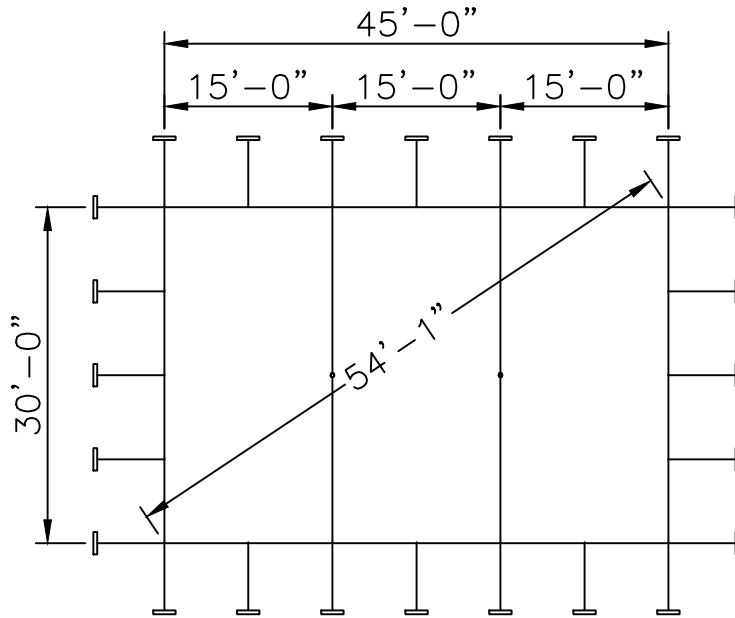
Stakes & Ratchets: 11917



Side View



End View



Top View

30x45 PT SE U

Std/Opt	Qty	Part#	Description
Standard 12048	2	12047-E	30'x15' End Section
	1	12044	30'x15' Mid Section
Option A 11884	2	14116	19' - 4" Sch. 40 Alum Center Pole 2pc
	20	14270	8' - 2" Sch. 40 Alum Side Pole
Option B	2	14116-CH	19' - 4" Sch. 40 Alum Center Pole 2pc - Cherry Finish
	20	14270-CH	8' - 2" Sch. 40 Alum Side Pole - Cherry Finish
Option C	2	14116-KP	19' - 4" Sch. 40 Alum Center Pole 2pc - Pine Finish
	20	14270-KP	8' - 2" Sch. 40 Alum Side Pole - Pine Finish
Standard 11917	24	15245	Lashing Winch & Mounting Plate
	24	14874	Stake Bar
	24	14867	14' Web W/ Twisted Hook
	72	15228	1 1/8"x42" Dbl Headed Stakes

Fred's Standard
30 x 45 Series "SE"
Pole Tent

PROPRIETARY INFORMATION
THE DATA AND DETAILS SHOWN ON THIS PAGE ARE THE
SOLE PROPERTY OF FRED'S TENTS & CANOPIES. IT MAY
NOT BE USED, DISCLOSED, OR DUPLICATED IN ANY WAY.

FRED'S TENTS & CANOPIES

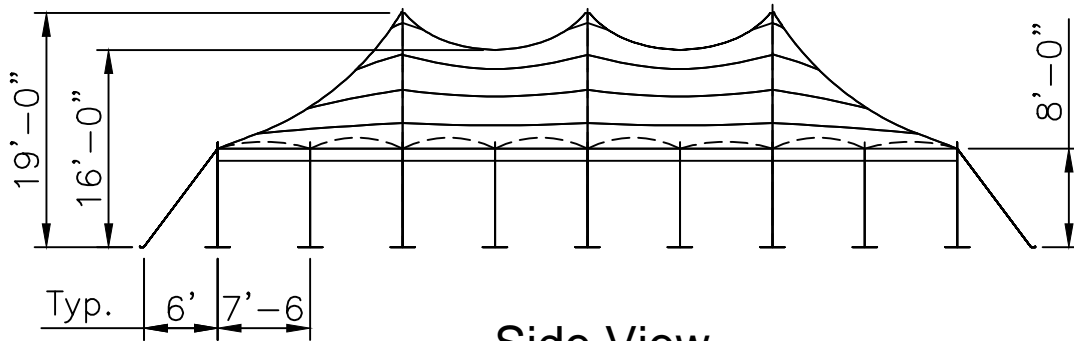
Waterford, NY 12188
www.wemaketents.com • 518.233.8368

DRAWN BY: MO	APP. BY: TV	APP. BY:	DATE: 9-26-16	LAST REV BY:
--------------	-------------	----------	---------------	--------------

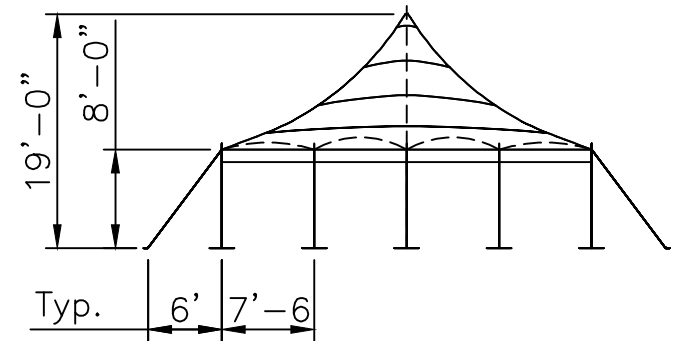
ITEM# Fabric: 12049

Poke package: 11885

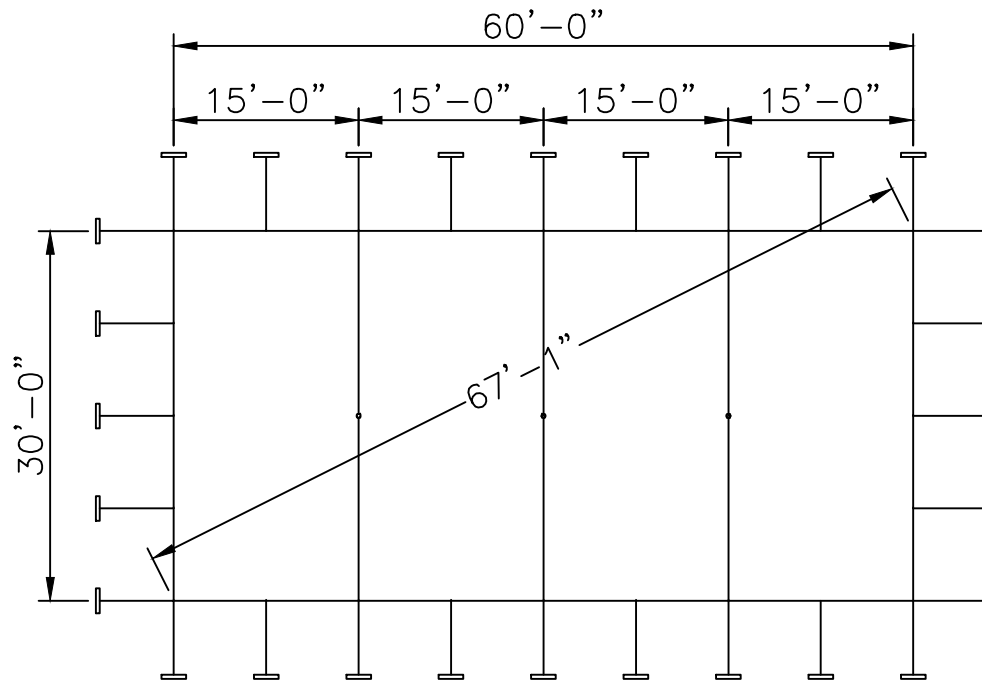
Stakes & Ratchets: 11918



Side View



End View



Top View

30x60 PT SE U

Std/Opt	Qty	Part#	Description
Standard 12049	2	12047-E	30'x15' End Section
	2	12044	30'x15' Mid Section
Option A 11885	3	14116	19' - 4" Sch. 40 Alum Center Pole 2pc
	24	14270	8' - 2" Sch. 40 Alum Side Pole
Option B	3	14116-CH	19' - 4" Sch. 40 Alum Center Pole 2pc - Cherry Finish
	24	14270-CH	8' - 2" Sch. 40 Alum Side Pole - Cherry Finish
Option C	3	14116-KP	19' - 4" Sch. 40 Alum Center Pole 2pc - Pine Finish
	24	14270-KP	8' - 2" Sch. 40 Alum Side Pole - Pine Finish
Standard 11918	28	15245	Lashing Winch & Mounting Plate
	28	14874	Stake Bar
	28	14867	14' Web W/ Twisted Hook
	84	15228	1 1/8"x42" Dbl Headed Stakes

Fred's Standard
30 x 60 Series "SE"
Pole Tent

PROPRIETARY INFORMATION
THE DATA AND DETAILS SHOWN ON THIS PAGE ARE THE
SOLE PROPERTY OF FRED'S TENTS & CANOPIES. IT MAY
NOT BE USED, DISCLOSED, OR DUPLICATED IN ANY WAY.

FRED'S TENTS & CANOPIES

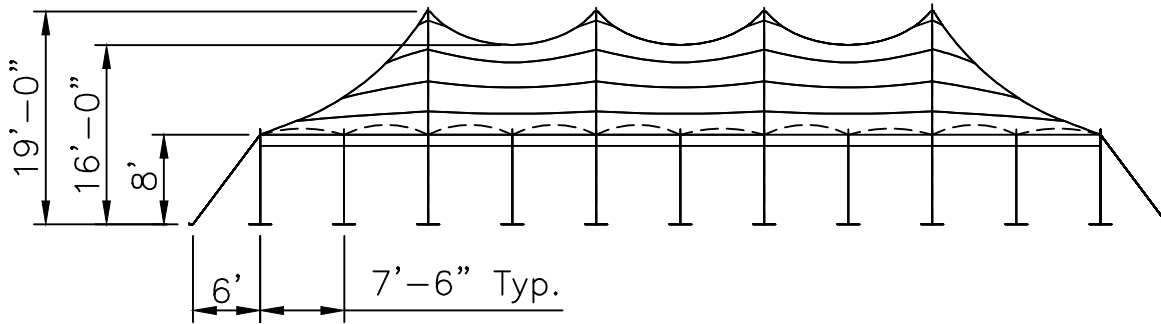
Waterford, NY 12188
www.wemaketents.com • 518.233.8368

DRAWN BY: MO	APP. BY: TV	APP. BY:	DATE: 9-26-16	LAST REV BY:
--------------	-------------	----------	---------------	--------------

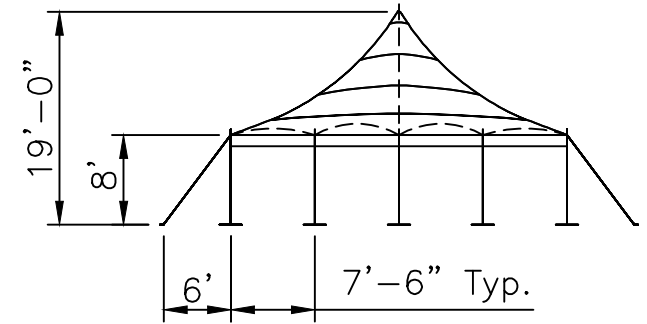
ITEM# Fabric: 12050

Poke package: 11886

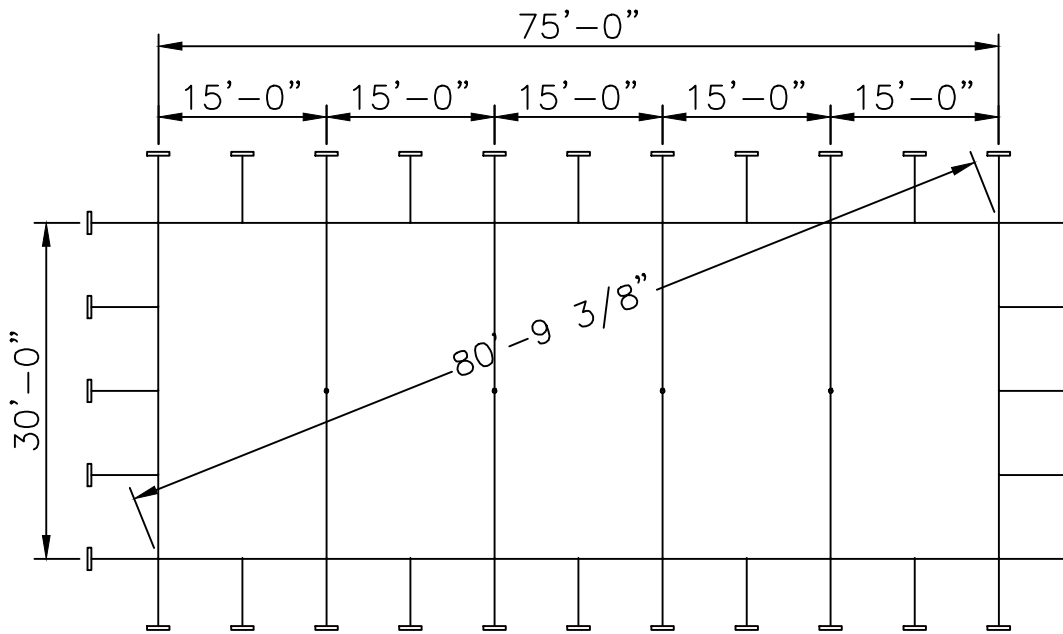
Stakes & Ratchets: 11919



Side View



End View



Top View

30x75 PT SE U

Std/Opt	Qty	Part#	Description
Standard 12050	2	12047-E	30'x15' End Section
	3	12044	30'x15' Mid Section
Option A 11886	4	14116	19' - 4" Sch. 40 Alum Center Pole 2pc
	28	14270	8' - 2" Sch. 40 Alum Side Pole
Option B	4	14116-CH	19' - 4" Sch. 40 Alum Center Pole 2pc - Cherry Finish
	28	14270-CH	8' - 2" Sch. 40 Alum Side Pole - Cherry Finish
Option C	4	14116-KP	19' - 4" Sch. 40 Alum Center Pole 2pc - Pine Finish
	28	14270-KP	8' - 2" Sch. 40 Alum Side Pole - Pine Finish
Standard 11919	32	15245	Lashing Winch & Mounting Plate
	32	14874	Stake Bar
	32	14867	14' Web W/ Twisted Hook
	96	15228	1 1/8"x42" Dbl Headed Stakes

Fred's Standard
30 x 75 Series "SE"
Pole Tent

PROPRIETARY INFORMATION
THE DATA AND DETAILS SHOWN ON THIS PAGE ARE THE
SOLE PROPERTY OF FRED'S TENTS & CANOPIES. IT MAY
NOT BE USED, DISCLOSED, OR DUPLICATED IN ANY WAY.

FRED'S TENTS & CANOPIES

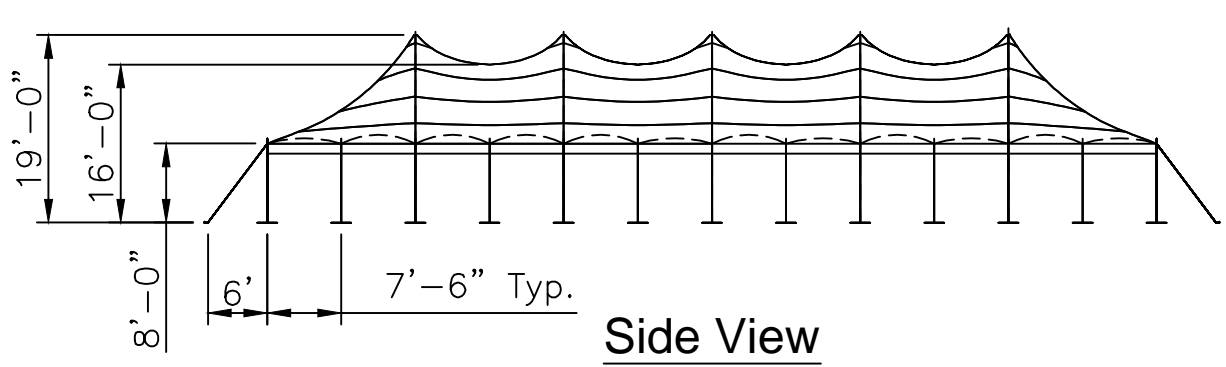
Waterford, NY 12188
www.wemaketents.com • 518.233.8368

DRAWN BY: MO	APP. BY: TV	APP. BY:	DATE: 9-26-16	LAST REV BY:
--------------	-------------	----------	---------------	--------------

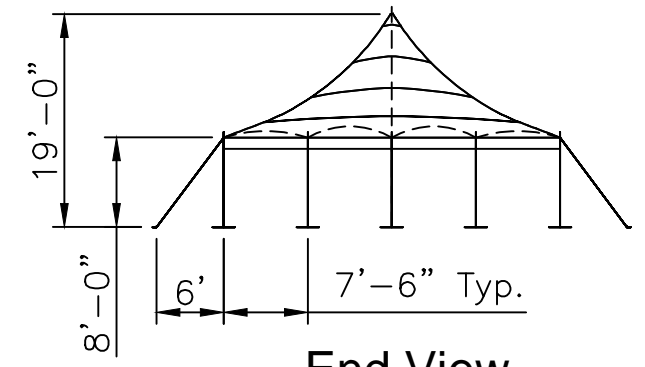
ITEM# Fabric: 12051

Poke package: 11887

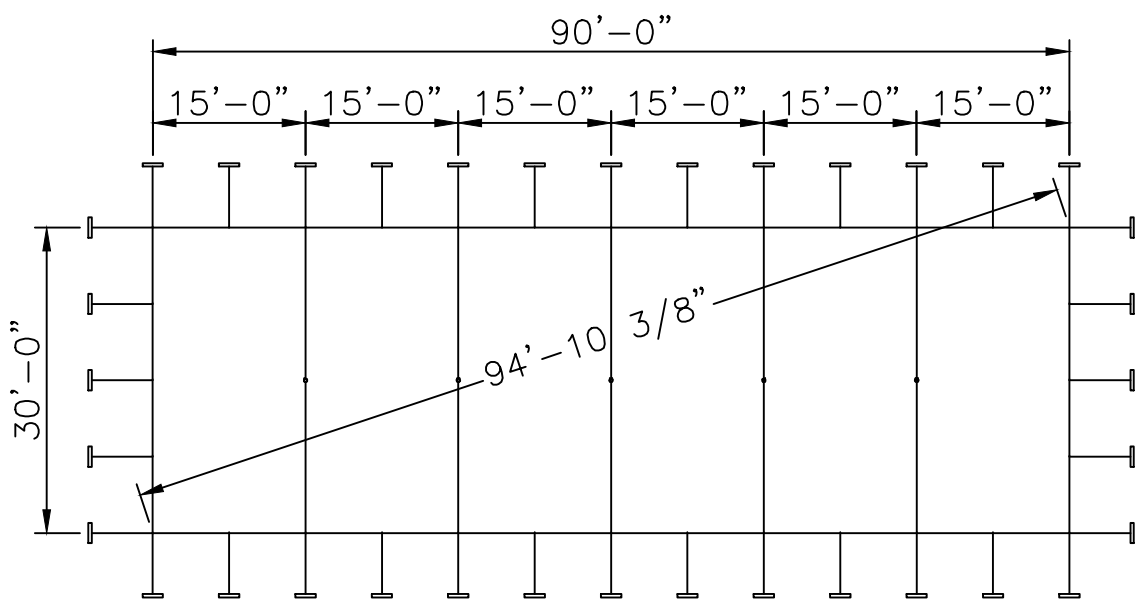
Stakes & Ratchets: 11920



Side View



End View



Top View

Std/Opt	Qty	Part#	Description
Standard 12051	2	12047-E	30'x15' End Section
	4	12044	30'x15' Mid Section
Option A 11887	5	14116	19' - 4" Sch. 40 Alum Center Pole 2pc
	32	14270	8' - 2" Sch. 40 Alum Side Pole
Option B	5	14116-CH	19' - 4" Sch. 40 Alum Center Pole 2pc - Cherry Finish
	32	14270-CH	8' - 2" Sch. 40 Alum Side Pole - Cherry Finish
Option C	5	14116-KP	19' - 4" Sch. 40 Alum Center Pole 2pc - Pine Finish
	32	14270-KP	8' - 2" Sch. 40 Alum Side Pole - Pine Finish
Standard 11920	36	15245	Lashing Winch & Mounting Plate
	36	14874	Stake Bar
	36	14867	14' Web W/ Twisted Hook
	108	15228	1 1/8"x42" Dbl Headed Stakes

30x90 PT SE U

Fred's Standard
30 x 90 Series "SE"
Pole Tent

PROPRIETARY INFORMATION
THE DATA AND DETAILS SHOWN ON THIS PAGE ARE THE
SOLE PROPERTY OF FRED'S TENTS & CANOPIES. IT MAY
NOT BE USED, DISCLOSED, OR DUPLICATED IN ANY WAY.

FRED'S TENTS & CANOPIES

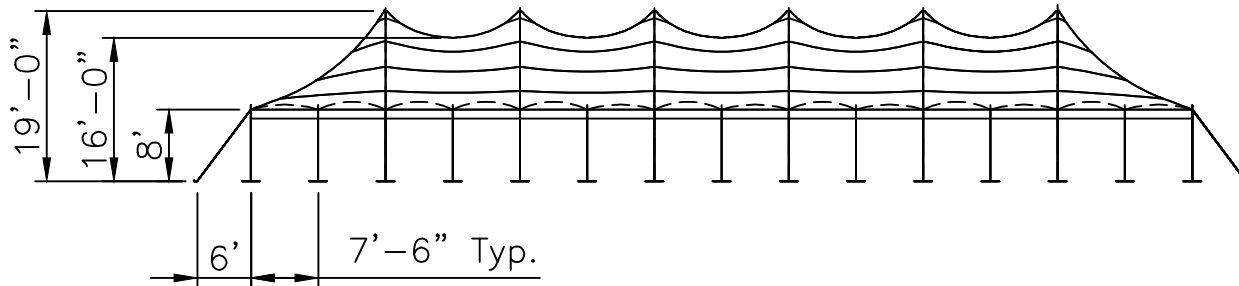
Waterford, NY 12188
www.wemaketents.com • 518.233.8368

DRAWN BY: MO	APP. BY: TV	APP. BY:	DATE: 9-26-16	LAST REV BY:
--------------	-------------	----------	---------------	--------------

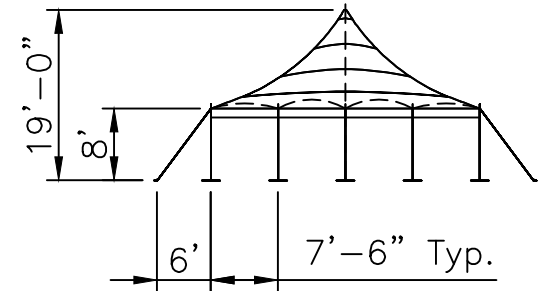
ITEM# Fabric: 12045

Poke package: 11881

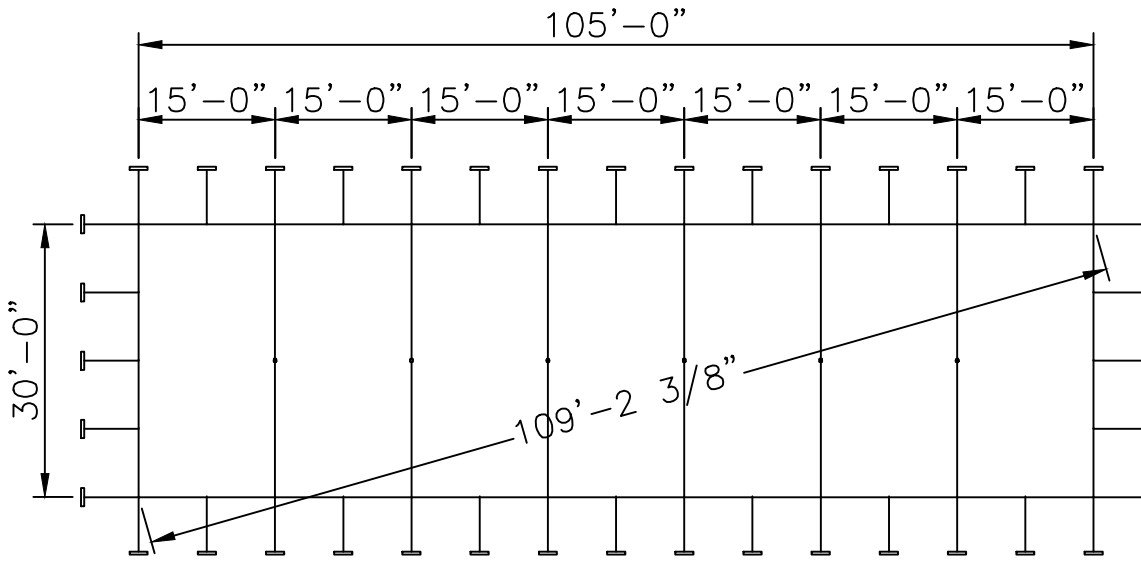
Stakes & Ratchets: 11914



Side View



End View



Top View

Std/Opt	Qty	Part#	Description
Standard 12045	2	12047-E	30'x15' End Section
	5	12044	30'x15' Mid Section
Option A 11881	6	14116	19' - 4" Sch. 40 Alum Center Pole 2pc
	36	14270	8' - 2" Sch. 40 Alum Side Pole
Option B	6	14116-CH	19' - 4" Sch. 40 Alum Center Pole 2pc - Cherry Finish
	36	14270-CH	8' - 2" Sch. 40 Alum Side Pole - Cherry Finish
Option C	6	14116-KP	19' - 4" Sch. 40 Alum Center Pole 2pc - Pine Finish
	36	14270-KP	8' - 2" Sch. 40 Alum Side Pole - Pine Finish
Standard 11914	40	15245	Lashing Winch & Mounting Plate
	40	14874	Stake Bar
	40	14867	14' Web W/ Twisted Hook
	120	15228	1 1/8"x42" Dbl Headed Stakes

30x105 PT SE U

Fred's Standard
30 x 105 Series "SE"
Pole Tent

PROPRIETARY INFORMATION

THE DATA AND DETAILS SHOWN ON THIS PAGE ARE THE SOLE PROPERTY OF FRED'S TENTS & CANOPIES. IT MAY NOT BE USED, DISCLOSED, OR DUPLICATED IN ANY WAY.

FRED'S TENTS & CANOPIES

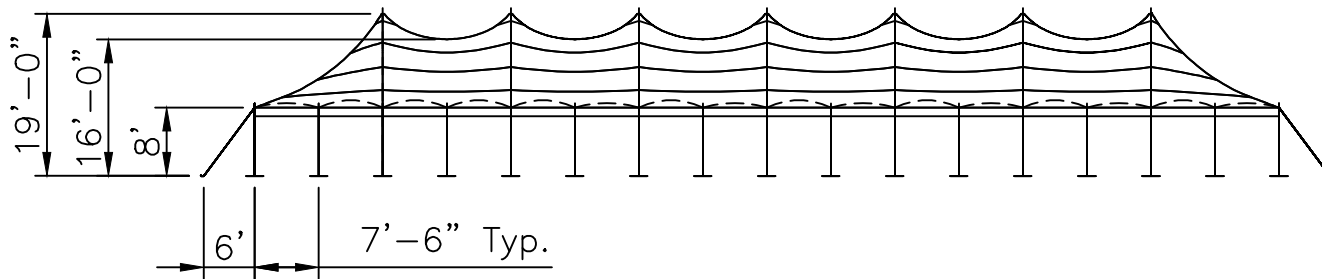
Waterford, NY 12188
www.wemaketents.com • 518.233.8368

DRAWN BY: MO	APP. BY: TV	APP. BY:	DATE: 9-26-16	LAST REV BY:
--------------	-------------	----------	---------------	--------------

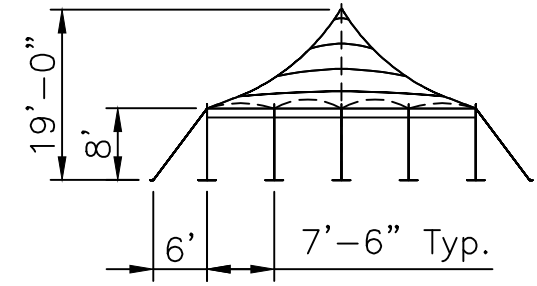
ITEM# Fabric: 12046

Poke package: 11882

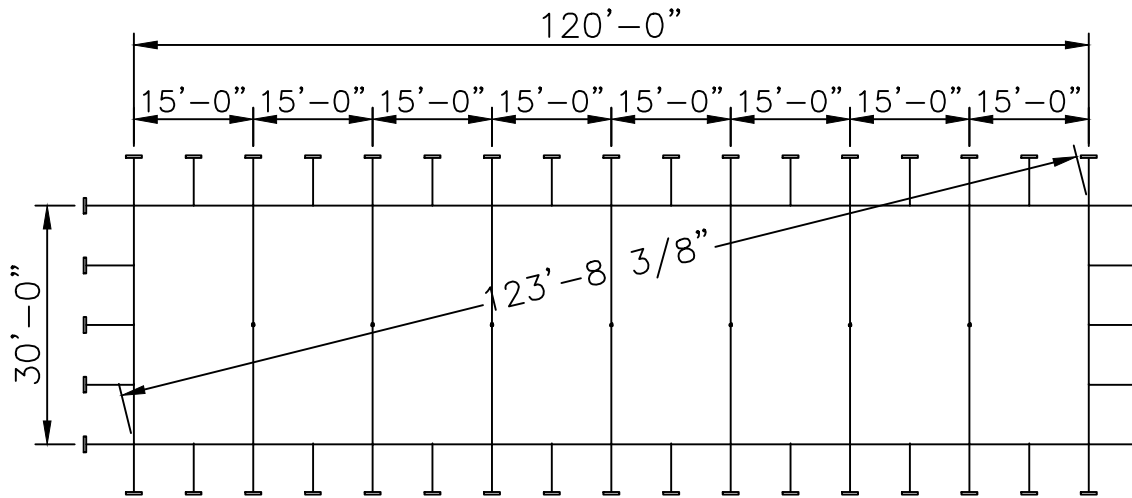
Stakes & Ratchets: 11915



Side View



End View



Top View

Std/Opt	Qty	Part#	Description
Standard 12046	2	12047-E	30'x15' End Section
	6	12044	30'x15' Mid Section
Option A 11882	7	14116	19' - 4" Sch. 40 Alum Center Pole 2pc
	40	14270	8' - 2" Sch. 40 Alum Side Pole
Option B	7	14116-CH	19' - 4" Sch. 40 Alum Center Pole 2pc - Cherry Finish
	40	14270-CH	8' - 2" Sch. 40 Alum Side Pole - Cherry Finish
Option C	7	14116-KP	19' - 4" Sch. 40 Alum Center Pole 2pc - Pine Finish
	40	14270-KP	8' - 2" Sch. 40 Alum Side Pole - Pine Finish
Standard 11915	44	15245	Lashing Winch & Mounting Plate
	44	14874	Stake Bar
	44	14867	14' Web W/ Twisted Hook
	132	15228	1 1/8"x42" Dbl Headed Stakes

30x120 PT SE U

Fred's Standard
30 x 120 Series "SE"
Pole Tent

PROPRIETARY INFORMATION
THE DATA AND DETAILS SHOWN ON THIS PAGE ARE THE
SOLE PROPERTY OF FRED'S TENTS & CANOPIES. IT MAY
NOT BE USED, DISCLOSED, OR DUPLICATED IN ANY WAY.

FRED'S TENTS & CANOPIES

Waterford, NY 12188
www.wemaketents.com • 518.233.8368

DRAWN BY: MO	APP. BY: TV	APP. BY:	DATE: 9-26-16	LAST REV BY:
--------------	-------------	----------	---------------	--------------