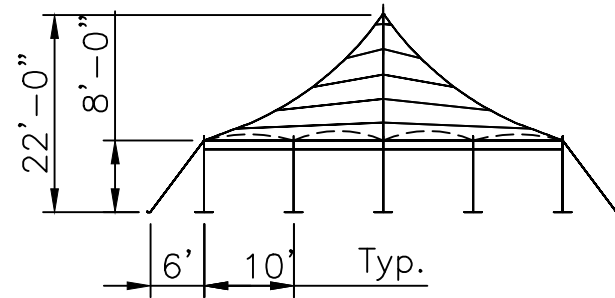
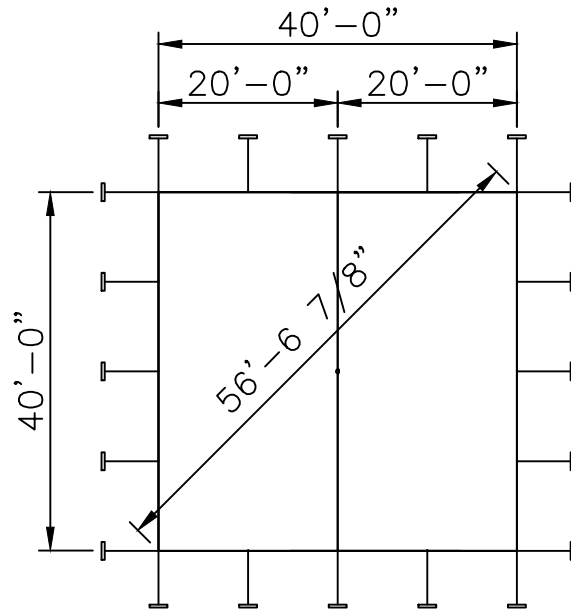


Side View



End View



Top View

40x40 PT SE U

Std/Opt	Qty	Part#	Description
Standard 12057	2	12057-E	40'x20' End Section
Option A 11893	1	14118	22' - 4" Sch. 40 Alum Center Pole 2pc
	16	14270	8' - 2" Sch. 40 Alum Side Pole
Option B	1	14118-CH	22' - 4" Sch. 40 Alum Center Pole 2pc - Cherry Finish
	16	14270-CH	8' - 2" Sch. 40 Alum Side Pole - Cherry Finish
Option C	1	14118-KP	22' - 4" Sch. 40 Alum Center Pole 2pc - Pine Finish
	16	14270-KP	8' - 2" Sch. 40 Alum Side Pole - Pine Finish
Standard 11926	20	15245	Lashing Winch & Mounting Plate
	20	14874	Stake Bar
	20	14867	14' Web W/ Twisted Hook
	60	15228	1 1/8"x42" Dbl Headed Stakes

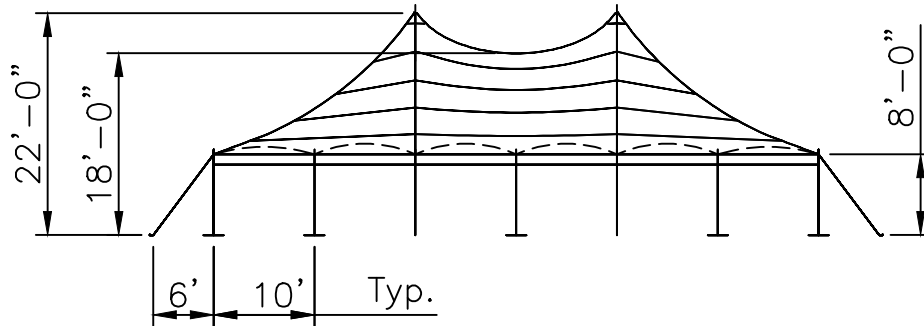
Fred's Standard  
40 x 40 Series "SE"  
Pole Tent

PROPRIETARY INFORMATION  
THE DATA AND DETAILS SHOWN ON THIS PAGE ARE THE  
SOLE PROPERTY OF FRED'S TENTS & CANOPIES. IT MAY  
NOT BE USED, DISCLOSED, OR DUPLICATED IN ANY WAY.

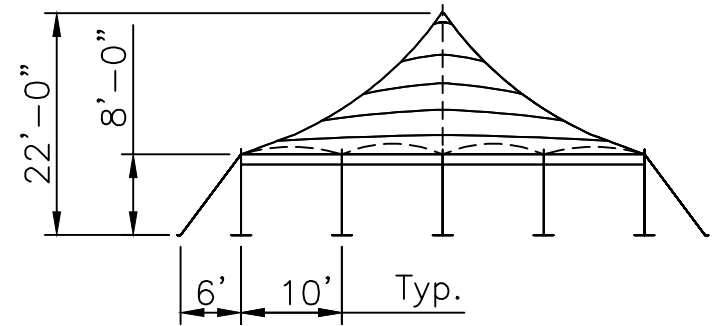
FRED'S TENTS & CANOPIES

Waterford, NY 12188  
www.wemaketents.com • 518.233.8368

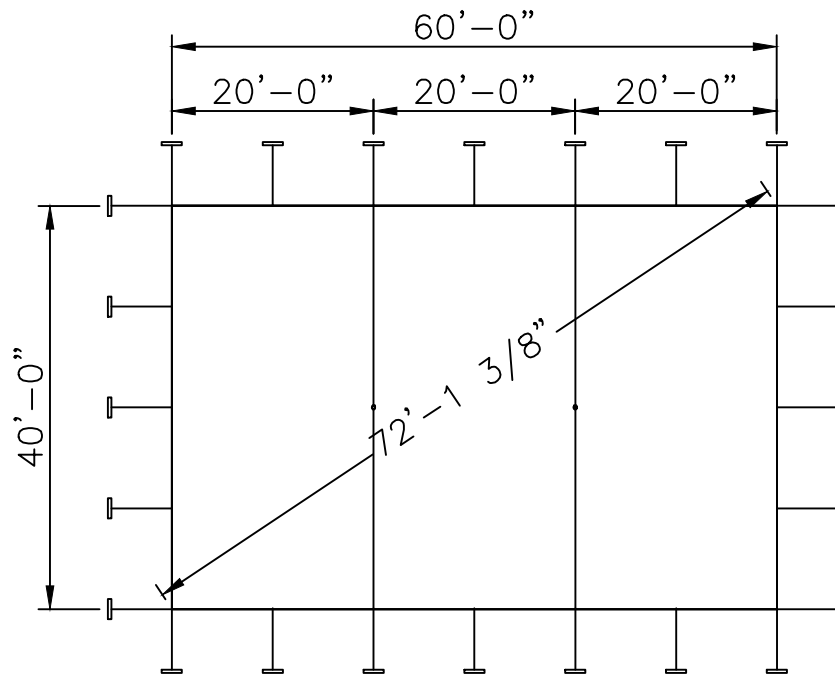
DRAWN BY: MO	APP. BY: TV	APP. BY:	DATE: 9-26-16	LAST REV BY:
--------------	-------------	----------	---------------	--------------



Side View



End View



Top View

40x60 PT SE U

Std/Opt	Qty	Part#	Description
Standard 12058	2	12057-E	40'x20' End Section
	1	12052	40'x20' Mid Section
Option A 11894	2	14118	22' - 4" Sch. 40 Alum Center Pole 2pc
	20	14270	8' - 2" Sch. 40 Alum Side Pole
Option B	2	14118-CH	22' - 4" Sch. 40 Alum Center Pole 2pc - Cherry Finish
	20	14270-CH	8' - 2" Sch. 40 Alum Side Pole - Cherry Finish
Option C	2	14118-KP	22' - 4" Sch. 40 Alum Center Pole 2pc - Pine Finish
	20	14270-KP	8' - 2" Sch. 40 Alum Side Pole - Pine Finish
Standard 11927	24	15245	Lashing Winch & Mounting Plate
	24	14874	Stake Bar
	24	14867	14' Web W/ Twisted Hook
	72	15228	1 1/8"x42" Dbl Headed Stakes

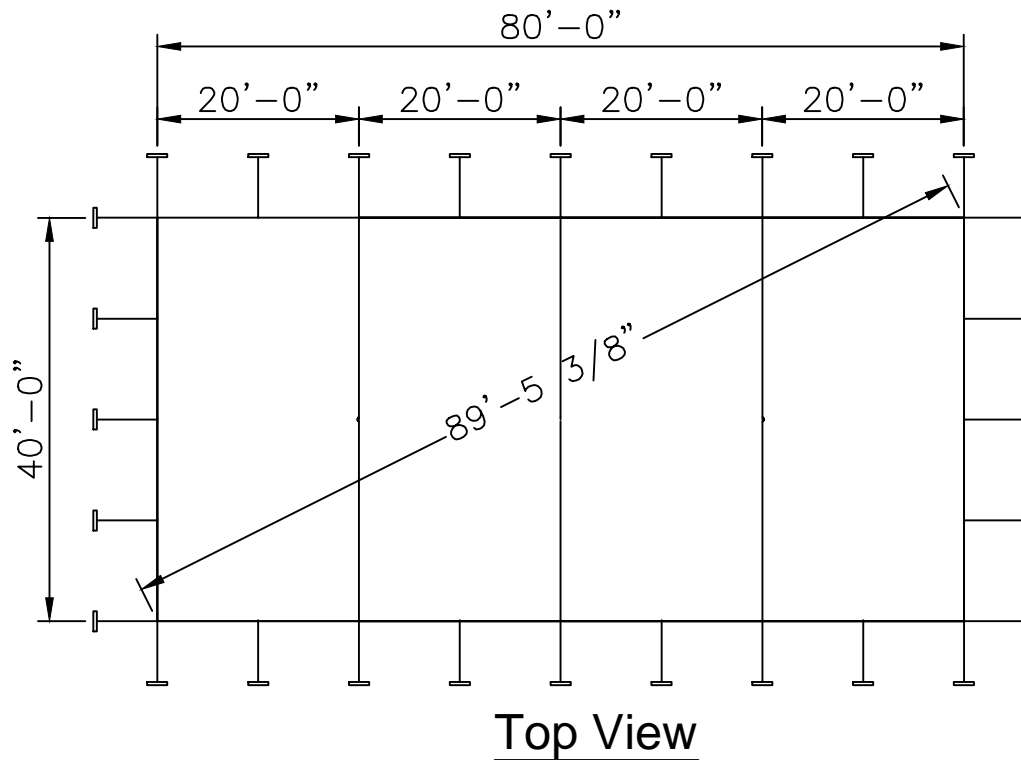
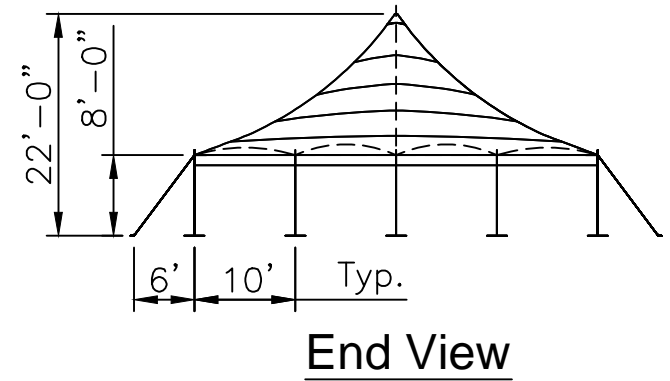
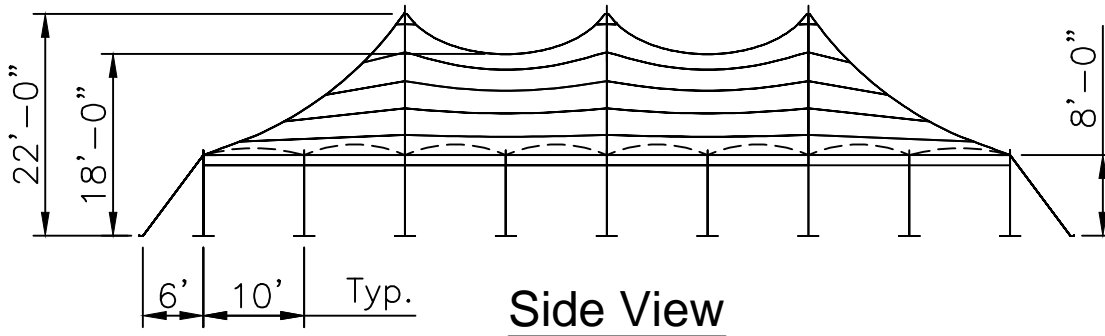
Fred's Standard  
40 x 60 Series "SE"  
Pole Tent

PROPRIETARY INFORMATION  
THE DATA AND DETAILS SHOWN ON THIS PAGE ARE THE  
SOLE PROPERTY OF FRED'S TENTS & CANOPIES. IT MAY  
NOT BE USED, DISCLOSED, OR DUPLICATED IN ANY WAY.

FRED'S TENTS & CANOPIES

Waterford, NY 12188  
www.wemaketents.com • 518.233.8368

DRAWN BY: MO	APP. BY: TV	APP. BY:	DATE: 9-26-16	LAST REV BY:
--------------	-------------	----------	---------------	--------------



Std/Opt	Qty	Part#	Description
Standard 12059	2	12057-E	40'x20' End Section
	2	12052	40'x20' Mid Section
Option A 11895	3	14118	22' - 4" Sch. 40 Alum Center Pole 2pc
	24	14270	8' - 2" Sch. 40 Alum Side Pole
Option B	3	14118-CH	22' - 4" Sch. 40 Alum Center Pole 2pc - Cherry Finish
	24	14270-CH	8' - 2" Sch. 40 Alum Side Pole - Cherry Finish
Option C	3	14118-KP	22' - 4" Sch. 40 Alum Center Pole 2pc - Pine Finish
	24	14270-KP	8' - 2" Sch. 40 Alum Side Pole - Pine Finish
Standard 11928	28	15245	Lashing Winch & Mounting Plate
	28	14874	Stake Bar
	28	14867	14' Web W/ Twisted Hook
	84	15228	1 1/8"x42" Dbl Headed Stakes

40x80 PT SE U

Fred's Standard  
40 x 80 Series "SE"  
Pole Tent

PROPRIETARY INFORMATION  
THE DATA AND DETAILS SHOWN ON THIS PAGE ARE THE  
SOLE PROPERTY OF FRED'S TENTS & CANOPIES. IT MAY  
NOT BE USED, DISCLOSED, OR DUPLICATED IN ANY WAY.

FRED'S TENTS & CANOPIES

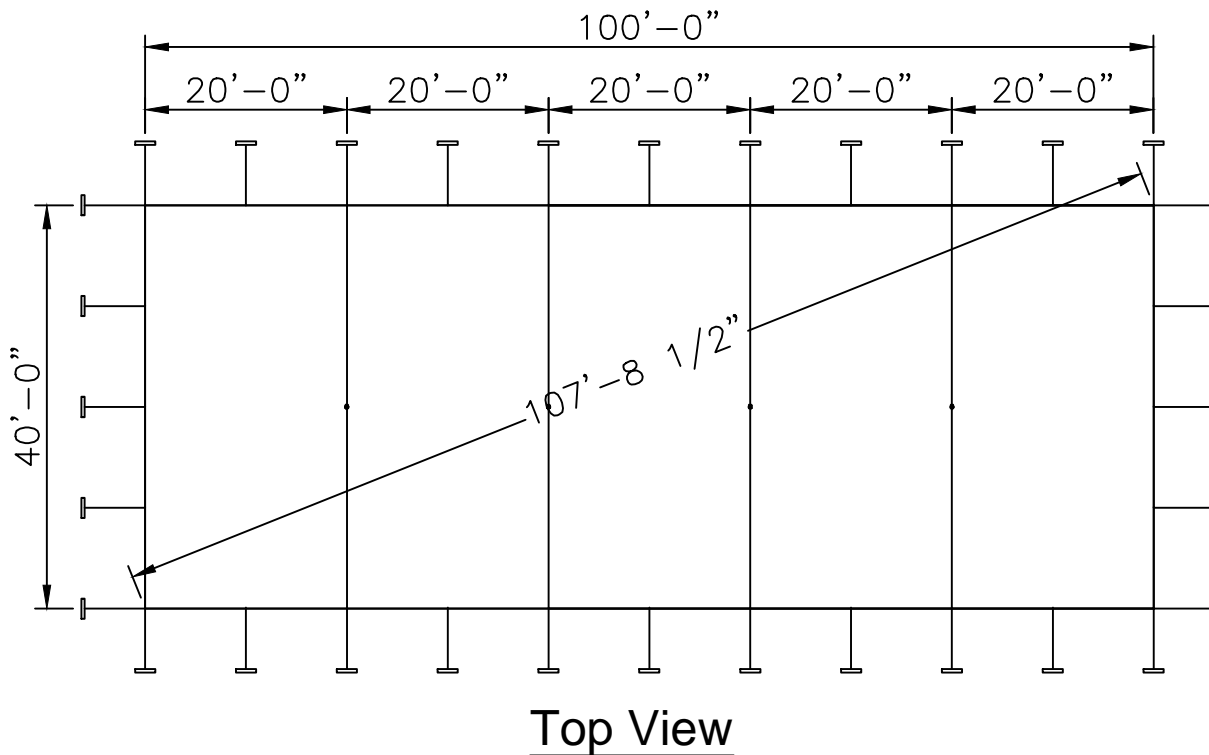
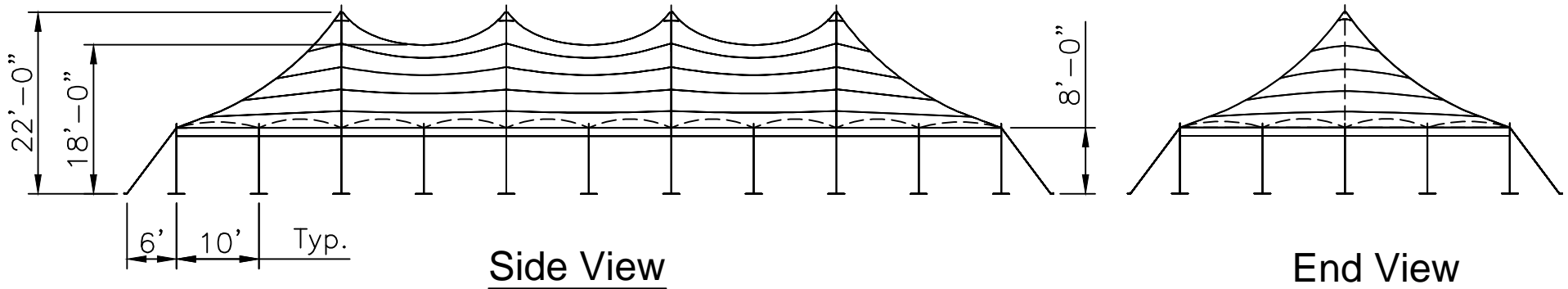
Waterford, NY 12188  
www.wemaketents.com • 518.233.8368

DRAWN BY: MO	APP. BY: TV	APP. BY:	DATE: 9-26-16	LAST REV BY:
--------------	-------------	----------	---------------	--------------

ITEM # Fabric: 12053

Pole Package: 11889

Stake & Ratchets: 11922



Std/Opt	Qty	Part#	Description
Standard 12053	2	12057-E	40'x20' End Section
	3	12052	40'x20' Mid Section
Option A 11889	4	14118	22' - 4" Sch. 40 Alum Center Pole 2pc
	28	14270	8' - 2" Sch. 40 Alum Side Pole
Option B	4	14118-CH	22' - 4" Sch. 40 Alum Center Pole 2pc - Cherry Finish
	28	14270-CH	8' - 2" Sch. 40 Alum Side Pole - Cherry Finish
Option C	4	14118-KP	22' - 4" Sch. 40 Alum Center Pole 2pc - Pine Finish
	28	14270-KP	8' - 2" Sch. 40 Alum Side Pole - Pine Finish
Standard 11922	32	15245	Lashing Winch & Mounting Plate
	32	14874	Stake Bar
	32	14867	14' Web W/ Twisted Hook
	96	15228	1 1/8"x42" Dbl Headed Stakes

40x100 PT SE U

Fred's Standard  
40 x 100 Series "SE"  
Pole Tent

PROPRIETARY INFORMATION  
THE DATA AND DETAILS SHOWN ON THIS PAGE ARE THE  
SOLE PROPERTY OF FRED'S TENTS & CANOPIES. IT MAY  
NOT BE USED, DISCLOSED, OR DUPLICATED IN ANY WAY.

FRED'S TENTS & CANOPIES

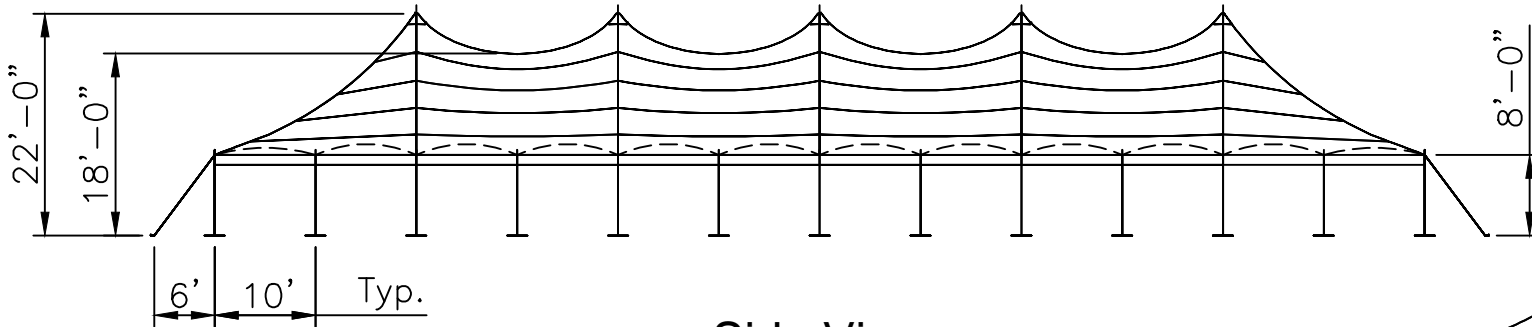
Waterford, NY 12188  
www.wemaketents.com • 518.233.8368

DRAWN BY: MO	APP. BY: TV	APP. BY:	DATE: 9-26-16	LAST REV BY:
--------------	-------------	----------	---------------	--------------

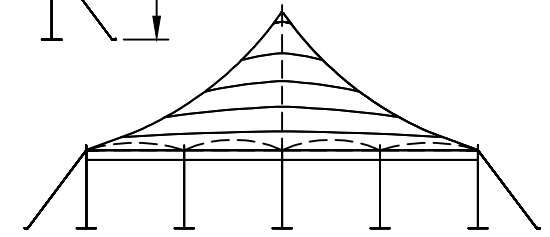
ITEM # Fabric: 12054

Pole Package: 11890

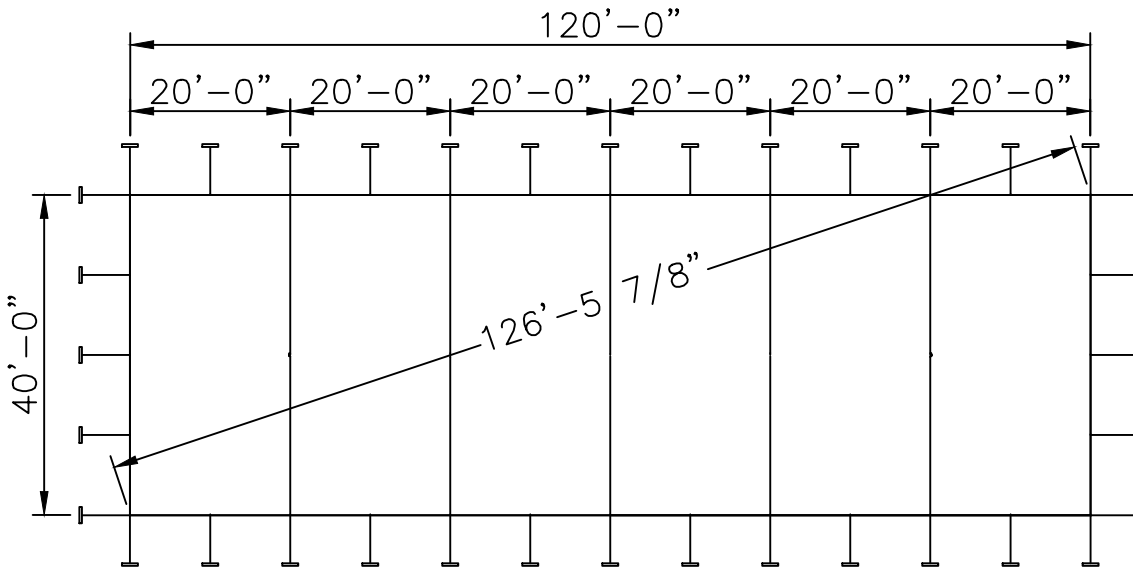
Stake & Ratchets: 11923



Side View



End View



Top View

Std/Opt	Qty	Part#	Description
Standard 12054	2	12057-E	40'x20' End Section
	4	12052	40'x20' Mid Section
Option A 11890	5	14118	22' - 4" Sch. 40 Alum Center Pole 2pc
	32	14270	8' - 2" Sch. 40 Alum Side Pole
Option B	5	14118-CH	22' - 4" Sch. 40 Alum Center Pole 2pc - Cherry Finish
	32	14270-CH	8' - 2" Sch. 40 Alum Side Pole - Cherry Finish
Option C	5	14118-KP	22' - 4" Sch. 40 Alum Center Pole 2pc - Pine Finish
	32	14270-KP	8' - 2" Sch. 40 Alum Side Pole - Pine Finish
Standard 11923	36	15245	Lashing Winch & Mounting Plate
	36	14874	Stake Bar
	36	14867	14' Web W/ Twisted Hook
	108	15228	1 1/8"x42" Dbl Headed Stakes

40x120 PT SE U

Fred's Standard  
40 x 120 Series "SE"  
Pole Tent

PROPRIETARY INFORMATION  
THE DATA AND DETAILS SHOWN ON THIS PAGE ARE THE  
SOLE PROPERTY OF FRED'S TENTS & CANOPIES. IT MAY  
NOT BE USED, DISCLOSED, OR DUPLICATED IN ANY WAY.

FRED'S TENTS & CANOPIES

Waterford, NY 12188

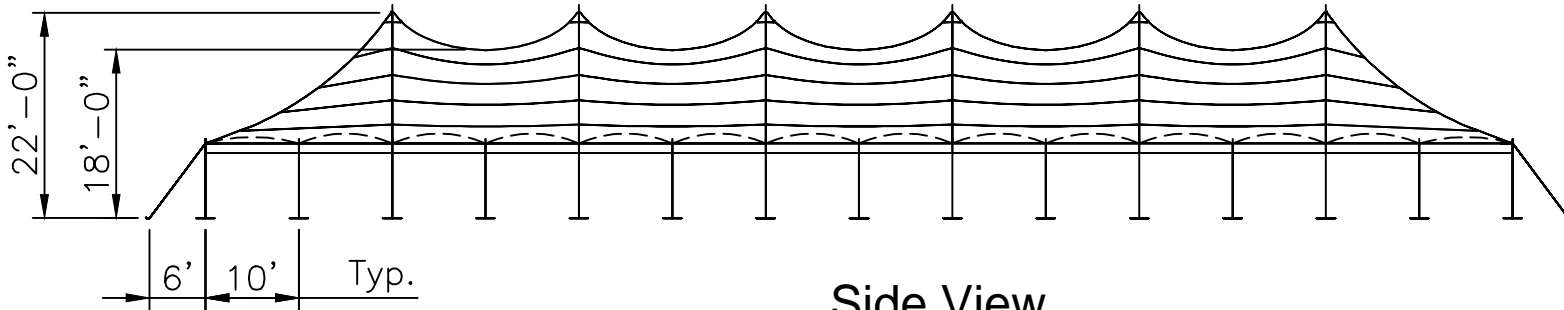
www.wemaketents.com • 518.233.8368

DRAWN BY: MO	APP. BY: TV	APP. BY:	DATE: 9-26-16	LAST REV BY:
--------------	-------------	----------	---------------	--------------

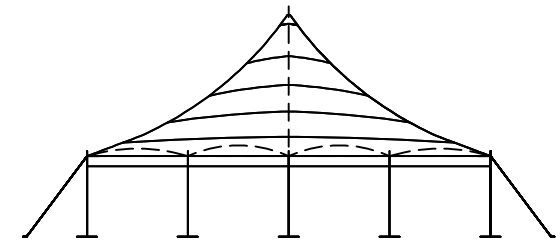
ITEM # Fabric: 12055

Pole Package: 11891

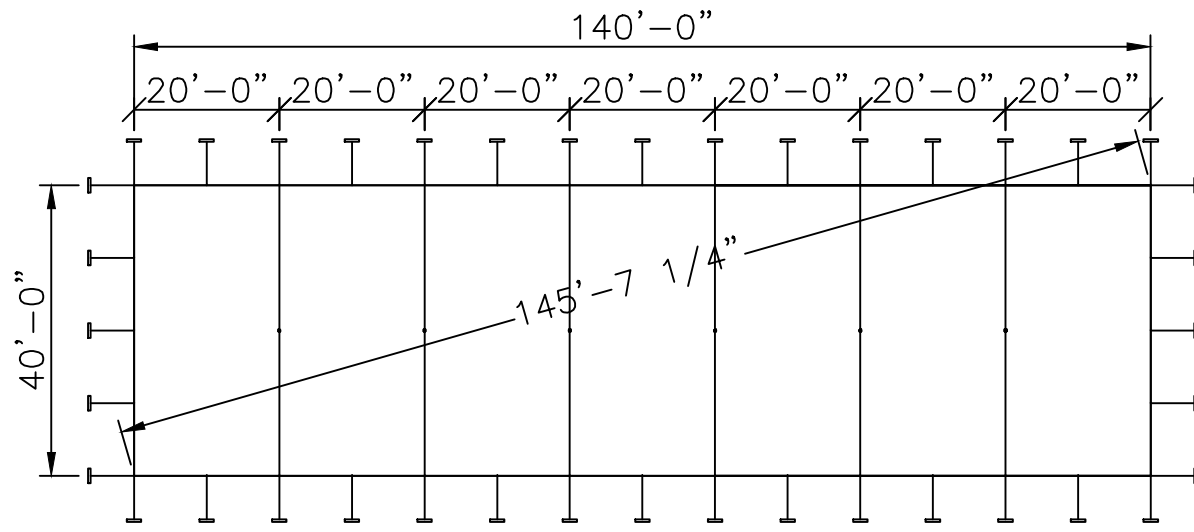
Stake & Ratchets: 11924



Side View



End View



Top View

Std/Opt	Qty	Part#	Description
Standard 12055	2	12057-E	40'x20' End Section
	5	12052	40'x20' Mid Section
Option A 11891	6	14118	22' - 4" Sch. 40 Alum Center Pole 2pc
	36	14270	8' - 2" Sch. 40 Alum Side Pole
Option B	6	14118-CH	22' - 4" Sch. 40 Alum Center Pole 2pc - Cherry Finish
	36	14270-CH	8' - 2" Sch. 40 Alum Side Pole - Cherry Finish
Option C	6	14118-KP	22' - 4" Sch. 40 Alum Center Pole 2pc - Pine Finish
	36	14270-KP	8' - 2" Sch. 40 Alum Side Pole - Pine Finish
Standard 11924	40	15245	Lashing Winch & Mounting Plate
	40	14874	Stake Bar
	40	14867	14' Web W/ Twisted Hook
	120	15228	1 1/8"x42" Dbl Headed Stakes

40x140 PT SE U

Fred's Standard  
40 x 140 Series "SE"  
Pole Tent

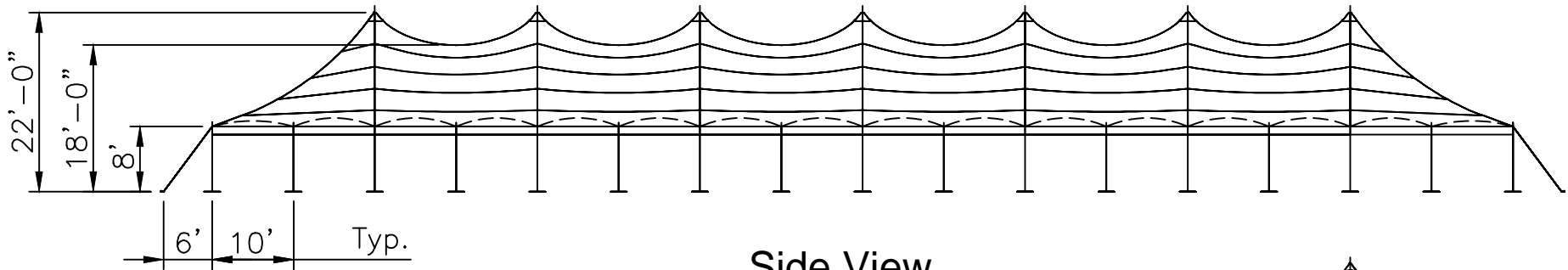
PROPRIETARY INFORMATION  
THE DATA AND DETAILS SHOWN ON THIS PAGE ARE THE  
SOLE PROPERTY OF FRED'S TENTS & CANOPIES. IT MAY  
NOT BE USED, DISCLOSED, OR DUPLICATED IN ANY WAY.

FRED'S TENTS & CANOPIES

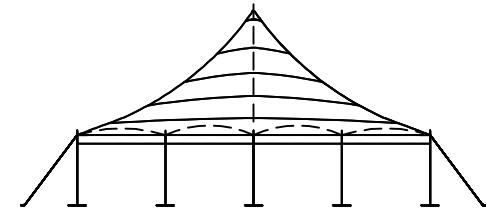
Waterford, NY 12188

www.wemaketents.com • 518.233.8368

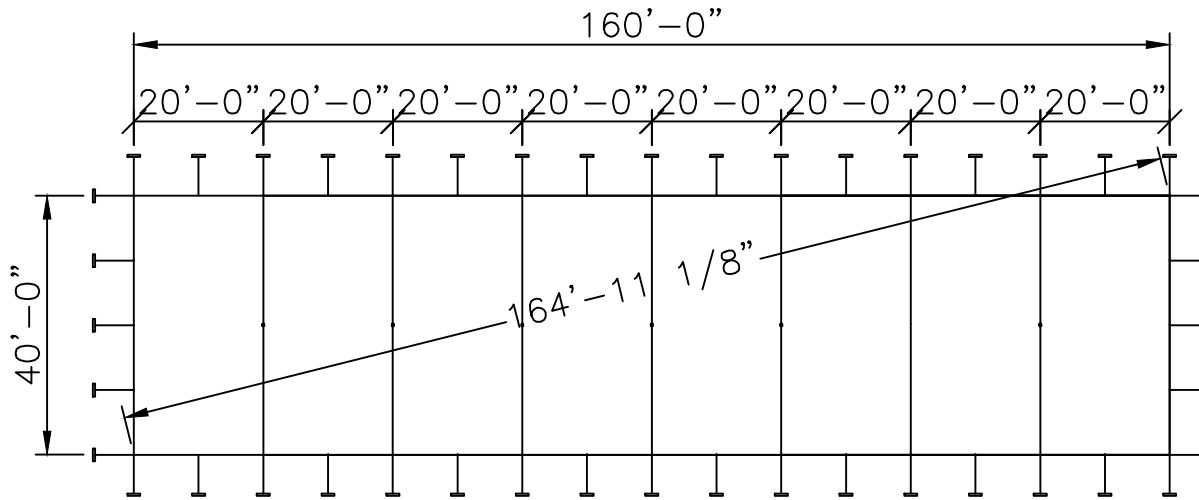
DRAWN BY: MO	APP. BY: TV	APP. BY:	DATE: 9-26-16	LAST REV BY:
--------------	-------------	----------	---------------	--------------



Side View



End View



Top View

40x160 PT SE U

Std/Opt	Qty	Part#	Description
Standard 12056	2	12057-E	40'x20' End Section
	6	12052	40'x20' Mid Section
Option A 11892	7	14118	22' - 4" Sch. 40 Alum Center Pole 2pc
	40	14270	8' - 2" Sch. 40 Alum Side Pole
Option B	7	14118-CH	22' - 4" Sch. 40 Alum Center Pole 2pc - Cherry Finish
	40	14270-CH	8' - 2" Sch. 40 Alum Side Pole - Cherry Finish
Option C	7	14118-KP	22' - 4" Sch. 40 Alum Center Pole 2pc - Pine Finish
	40	14270-KP	8' - 2" Sch. 40 Alum Side Pole - Pine Finish
Standard 11925	44	15245	Lashing Winch & Mounting Plate
	44	14874	Stake Bar
	44	14867	14' Web W/ Twisted Hook
	132	15228	1 1/8"x42" Dbl Headed Stakes

Fred's Standard  
40 x 160 Series "SE"  
Pole Tent

PROPRIETARY INFORMATION  
THE DATA AND DETAILS SHOWN ON THIS PAGE ARE THE  
SOLE PROPERTY OF FRED'S TENTS & CANOPIES. IT MAY  
NOT BE USED, DISCLOSED, OR DUPLICATED IN ANY WAY.

FRED'S TENTS & CANOPIES

Waterford, NY 12188

www.wemaketents.com • 518.233.8368

DRAWN BY: MO	APP. BY: TV	APP. BY:	DATE: 9-26-16	LAST REV BY:
--------------	-------------	----------	---------------	--------------