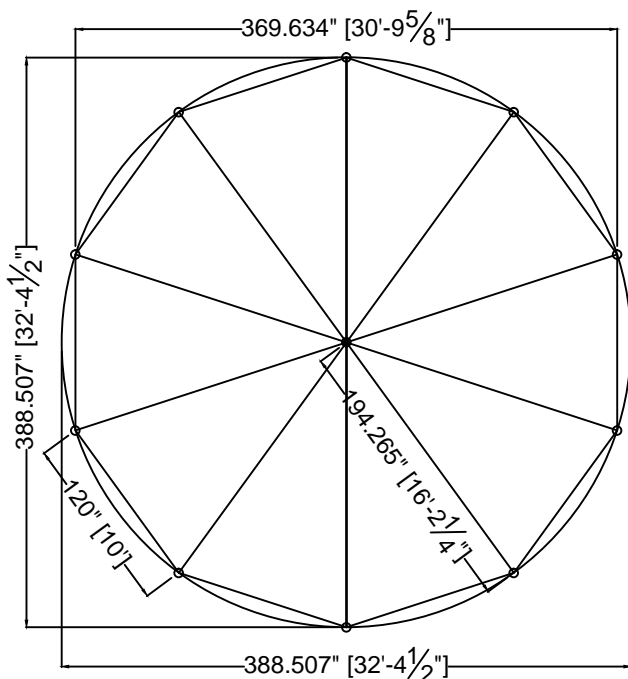
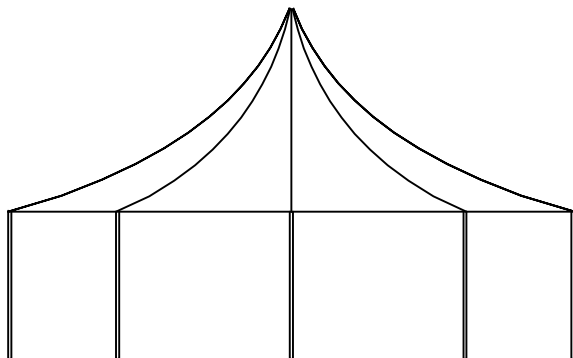


ITEM# Fabric: 16369

Pole Package: A, B, or C

Stakes & Ratchets: 14865/15224

Stillwater 32'x30'



Std/Opt	Qty	Part#	Description
Standard	2	16369	15' Q-End
Option A	1	14112	19' - 4" OD SW Alum Q CP
	10	14266	8' - 2" OD Alum SP
Option B	1	14112-CH	19' - 4" OD SW Alum Cherry Finish Q CP
	10	14266-CH	8' - 2" OD Cherry Finish SP
Option C	1	14112-KP	19' - 4" OD SW Alum Pine Finish Q CP
	10	14266-KP	8' - 2" OD Pine Finish SP
Standard	14	14865	1" Ratchet w/ Twisted Hook
	14	15224	1"x30" Dbl Headed Stakes
Optional	1	17516	Squaring Jig for 32' Stillwater

Fred's Standard
32'x30' Stillwater

PROPRIETARY INFORMATION
THE DATA AND DETAILS SHOWN ON THIS PAGE ARE THE
SOLE PROPERTY OF FRED'S TENTS & CANOPIES. IT MAY
NOT BE USED, DISCLOSED, OR DUPLICATED IN ANY WAY.

FRED'S TENTS & CANOPIES

Waterford, NY 12188
www.wemaketents.com • 518.233.8368

32x30 SW PL

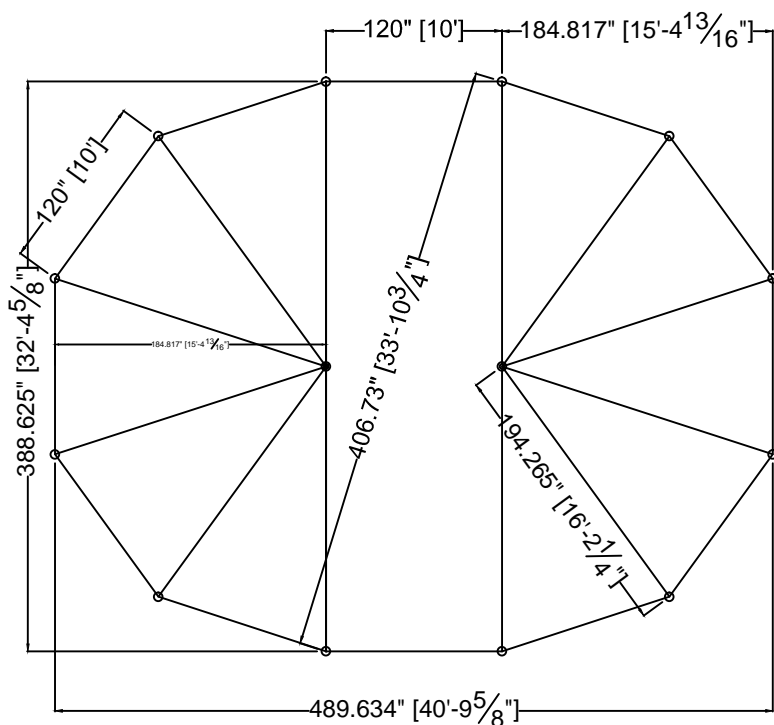
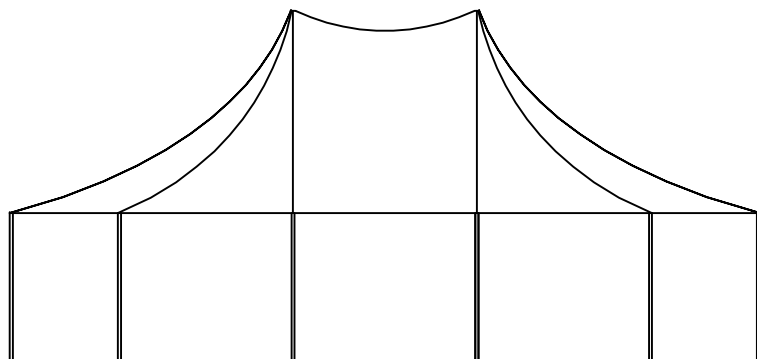
DRAWN BY: MO	APP. BY:	REV: 00	DATE: 03-10-15	SALES DWG
--------------	----------	---------	----------------	-----------

ITEM # Fabric: 16369/16720

Pole Package: A, B, or C

Stakes & Ratchets: 14865/15224

Stillwater 32'x40'



Std/Opt	Qty	Part#	Description
Standard	2	16369	15' Q-End
	1	16720	32'x 10' QQ Mid
Option A	2	14112	19' - 4" OD SW Alum Q CP
	12	14266	8' - 2" OD Alum SP
Option B	2	14112-CH	19' - 4" OD SW Alum Cherry Finish Q CP
	12	14266-CH	8' - 2" OD Cherry Finish SP
Option C	2	14112-KP	19' - 4" OD SW Alum Pine Finish Q CP
	12	14266-KP	8' - 2" OD Pine Finish SP
Standard	16	14865	1" Ratchet w/ Twisted Hook
	16	15224	1"x30" Dbl Headed Stakes
Optional	1	17516	Squaring Jig for 32' Stillwater

Fred's Standard
32'x40' Stillwater

PROPRIETARY INFORMATION

THE DATA AND DETAILS SHOWN ON THIS PAGE ARE THE SOLE PROPERTY OF FRED'S TENTS & CANOPIES. IT MAY NOT BE USED, DISCLOSED, OR DUPLICATED IN ANY WAY.

FRED'S TENTS & CANOPIES

Waterford, NY 12188
www.wemaketents.com • 518.233.8368

32x40 SW PL

DRAWN BY: MO APP. BY: REV: 00 DATE: 03-10-15

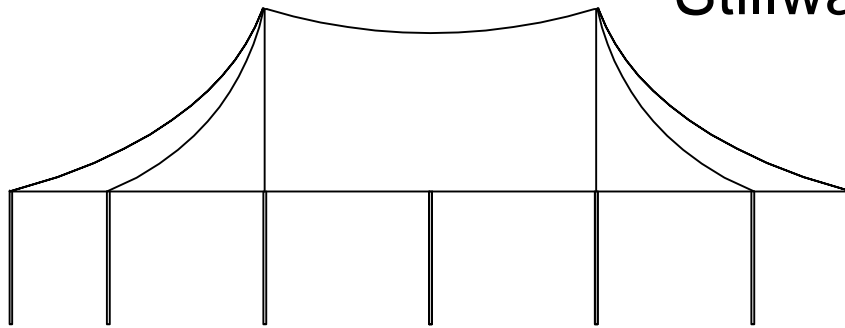
SALES DWG

ITEM # Fabric: 16369/16721

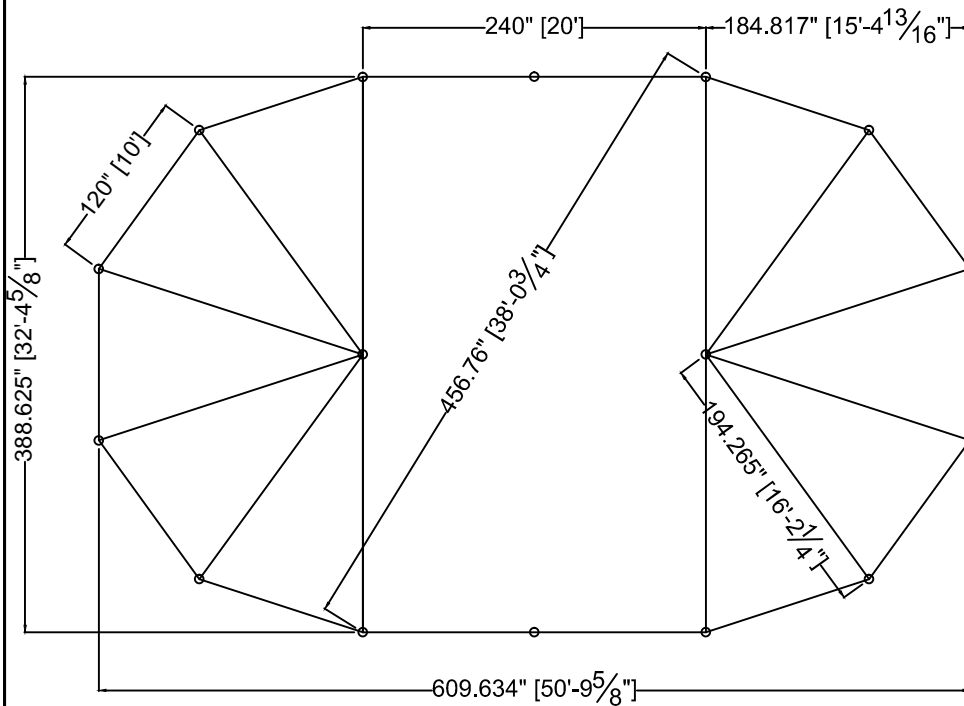
Pole Package: A, B, or C

Stakes & Ratchets: 14865/15224

Stillwater 32'x50'



A-2



Std/Opt	Qty	Part#	Description
Standard	2	16369	15' Q-End
	1	16370	32'x 20' QQ Mid
Option A	2	14112	19' - 4" OD SW Alum Q CP
	14	14266	8' - 2" OD Alum SP
Option B	2	14112-CH	19' - 4" OD SW Alum Cherry Finish Q CP
	14	14266-CH	8' - 2" OD Cherry Finish SP
Option C	2	14112-KP	19' - 4" OD SW Alum Pine Finish Q CP
	14	14266-KP	8' - 2" OD Pine Finish SP
Standard	18	14865	1" Ratchet w/ Twisted Hook
	18	15224	1"x30" Dbl Headed Stakes
Optional	1	17516	Squaring Jig for 32' Stillwater

**Fred's Standard
32'x50' Stillwater**

PROPRIETARY INFORMATION
THE DATA AND DETAILS SHOWN ON THIS PAGE ARE THE SOLE PROPERTY OF FRED'S TENTS & CANOPIES. IT MAY NOT BE USED, DISCLOSED, OR DUPLICATED IN ANY WAY.

FRED'S TENTS & CANOPIES

Waterford, NY 12188
www.wemaketents.com • 518.233.8368

32x50 SW PL

DRAWN BY: MO APP. BY: REV: 00 DATE: 03-10-15

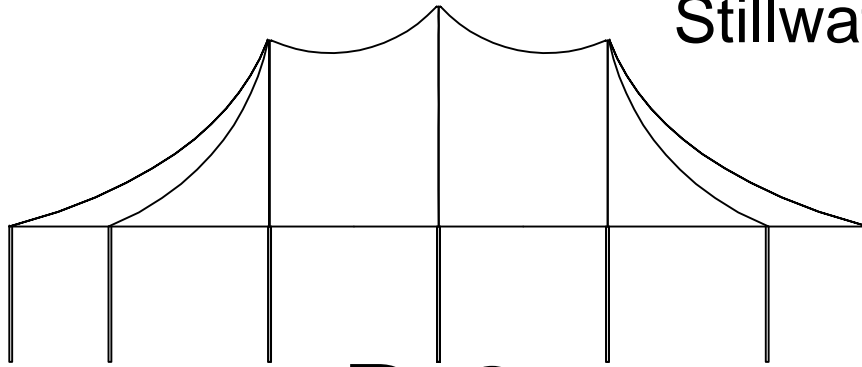
SALES DWG

ITEM# Fabric: 16369/16370

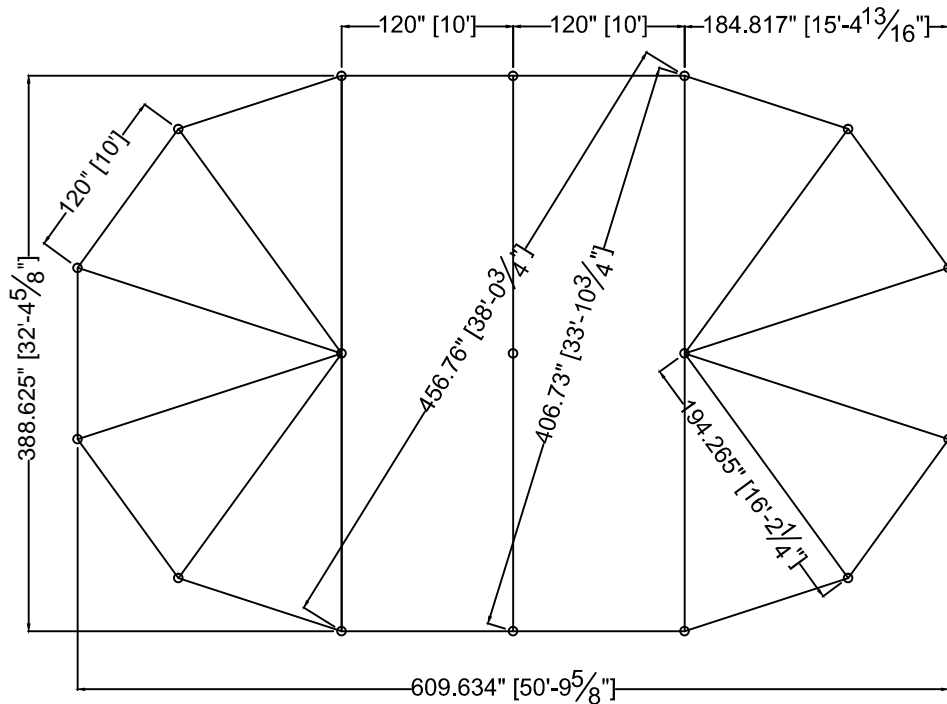
Pole Package: A, B, or C

Stakes & Ratchets: 14865/15224

Stillwater 32'x50'



B-2



Std/Opt	Qty	Part#	Description
Standard	2	16369	15' Q-End
	2	16721	32'x 10' QK Mid
Option A	2	14112	19' - 4" OD SW Q CP
	1	14113	21' - 4" OD SW Alum K CP
	14	14266	8' - 2" OD Alum SP
Option B	2	14112-CH	19' - 4" OD SW Alum Cherry Finish Q CP
	1	14113-CH	21' - 4" OD SW Alum Cherry Finish K CP
	14	14266-CH	8' - 2" OD Cherry Finish SP
Option C	2	14112-KP	19' - 4" OD SW Alum Pine Finish Q CP
	1	14113-KP	21' - 4" OD SW Alum Pine Finish K CP
	14	14266-KP	8' - 2" OD Pine Finish SP
Standard	18	14865	1" Ratchet w/ Twisted Hook
	18	15224	1"x30" Dbl Headed Stakes
Optional	1	17516	Squaring Jig for 32' Stillwater

**Fred's Standard
32'x50' Stillwater**

PROPRIETARY INFORMATION
THE DATA AND DETAILS SHOWN ON THIS PAGE ARE THE
SOLE PROPERTY OF FRED'S TENTS & CANOPIES. IT MAY
NOT BE USED, DISCLOSED, OR DUPLICATED IN ANY WAY.

FRED'S TENTS & CANOPIES

Waterford, NY 12188
www.wemaketents.com • 518.233.8368

32x50 SW PL

DRAWN BY: MO APP. BY: REV: 00 DATE: 03-10-15

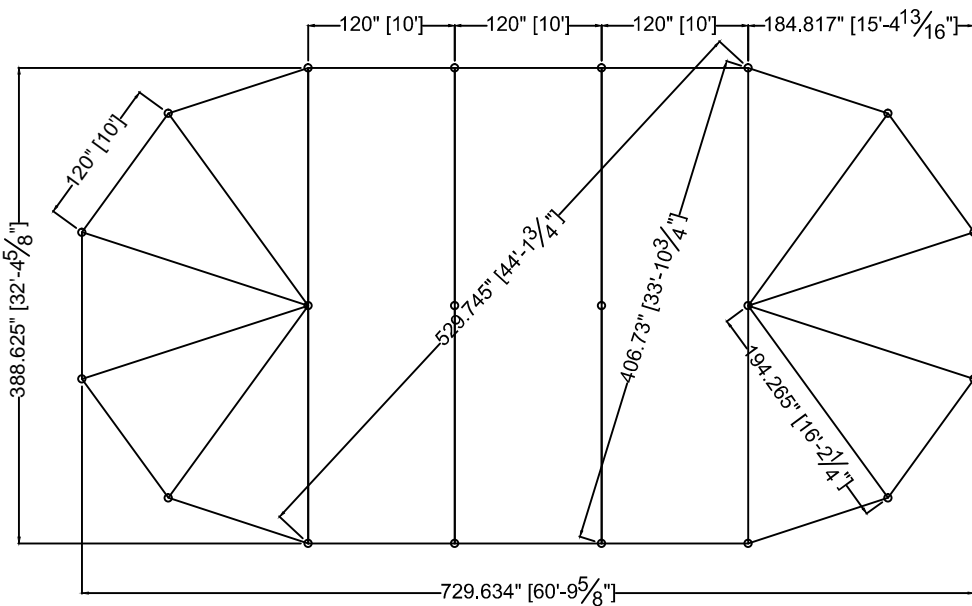
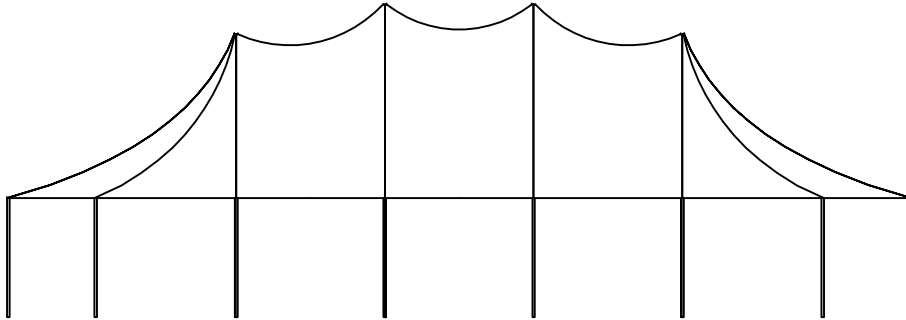
SALES DWG

ITEM# Fabric: 16369/16721/17088

Pole Package: A, B, or C

Stakes & Ratchets: 14865/15224

Stillwater 32'x60'



Std/Opt	Qty	Part#	Description
Standard	2	16369	15' Q-End
	2	16721	32'x 10' QK Mid
	1	17088	32'x 10' KK Mid
Option A	2	14112	19' - 4" OD SW Alum Q CP
	2	14113	21' - 4" OD SW Alum K CP
	16	14266	8' - 2" OD Alum SP
Option B	4	14112-CH	19' - 4" OD SW Alum Cherry Finish Q CP
	4	14113-CH	21' - 4" OD SW Alum Cherry Finish K CP
	16	14266-CH	8' - 2" OD Cherry Finish SP
Option C	4	14112-KP	19' - 4" OD SW Alum Pine Finish Q CP
	4	14113-KP	21' - 4" OD SW Alum Pine Finish K CP
	16	14266-KP	8' - 2" OD Pine Finish SP
Standard	20	14865	1" Ratchet w/ Twisted Hook
	20	15224	1"x30" Dbl Headed Stakes
Optional	1	17516	Squaring Jig for 32' Stillwater

**Fred's Standard
32'x60' Stillwater**

PROPRIETARY INFORMATION
THE DATA AND DETAILS SHOWN ON THIS PAGE ARE THE
SOLE PROPERTY OF FRED'S TENTS & CANOPIES. IT MAY
NOT BE USED, DISCLOSED, OR DUPLICATED IN ANY WAY.

FRED'S TENTS & CANOPIES

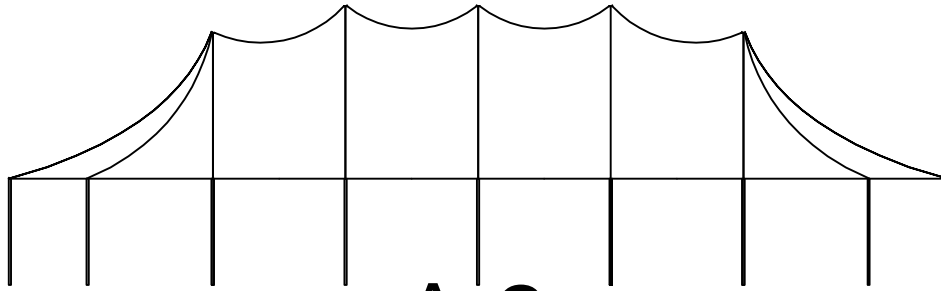
Waterford, NY 12188
www.wemaketents.com • 518.233.8368

32x60 SW PL

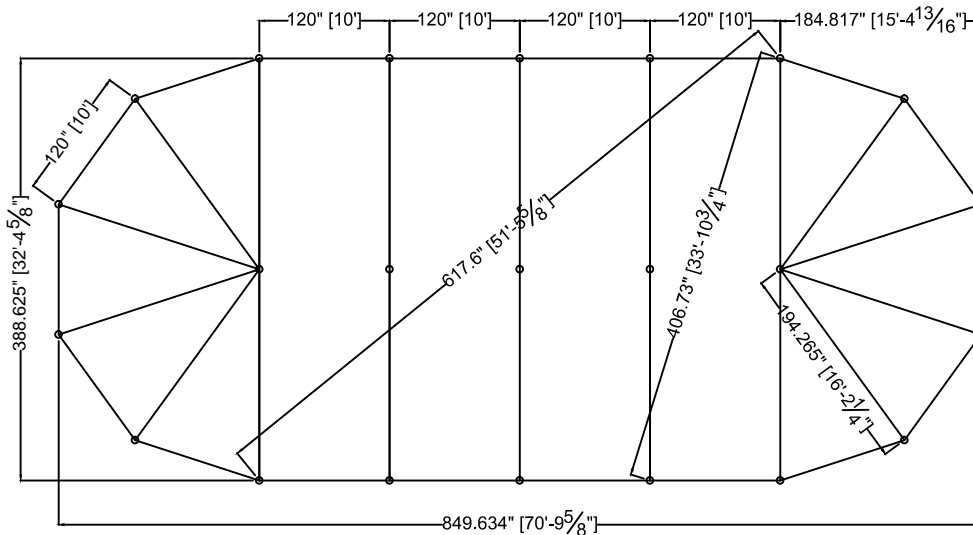
DRAWN BY: MO APP. BY: REV: 00 DATE: 03-10-15

SALES DWG

Stillwater 32'x70'



A-2



Std/Opt	Qty	Part#	Description
Standard	2	16369	15' Q-End
	2	16721	32'x 10' QK Mid
	2	17088	32'x 10' KK Mid
Option A	2	14112	19' - 4" OD SW Alum Q CP
	3	14113	21' - 4" OD SW Alum K CP
	18	14266	8' - 2" OD Alum SP
Option B	2	14112-CH	19' - 4" OD SW Alum Cherry Finish Q CP
	3	14113-CH	21' - 4" OD SW Alum Cherry Finish K CP
	18	14266-CH	8' - 2" OD Cherry Finish SP
Option C	2	14112-KP	19' - 4" OD SW Alum Pine Finish Q CP
	3	14113-KP	21' - 4" OD SW Alum Pine Finish K CP
	18	14266-KP	8' - 2" OD Pine Finish SP
Standard	22	14865	1" Ratchet w/ Twisted Hook
	22	15224	1"x30" Dbl Headed Stakes
Optional	1	17516	Squaring Jig for 32' Stillwater

Fred's Standard
32'x70' Stillwater

PROPRIETARY INFORMATION
THE DATA AND DETAILS SHOWN ON THIS PAGE ARE THE
SOLE PROPERTY OF FRED'S TENTS & CANOPIES. IT MAY
NOT BE USED, DISCLOSED, OR DUPLICATED IN ANY WAY.

FRED'S TENTS & CANOPIES

Waterford, NY 12188
www.wemaketents.com • 518.233.8368

32x70 SW PL

DRAWN BY: MO APP. BY: REV: 00 DATE: 03-10-15

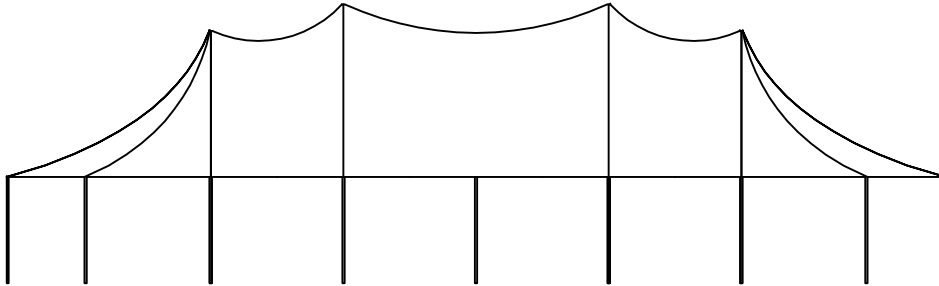
SALES DWG

ITEM# Fabric: 16369/16721/16367

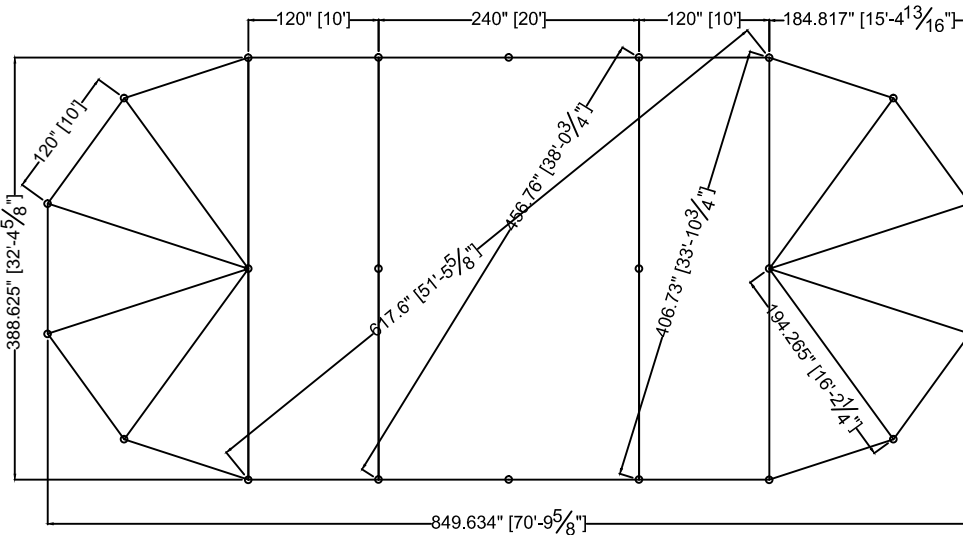
Pole Package: A, B, or C

Stakes & Ratchets: 14865/15224

Stillwater 32'x70'



B-2



Std/Opt	Qty	Part#	Description
Standard	2	16369	15' Q-End
	2	16721	32'x 10' QK Mid
	1	16367	32'x 20' KK Mid
Option A	2	14112	19' - 4" OD SW Alum Q CP
	2	14113	21' - 4" OD SW Alum K CP
	18	14266	8' - 2" OD Alum SP
Option B	2	14112-CH	19' - 4" OD SW Alum Cherry Finish Q CP
	2	14113-CH	21' - 4" OD SW Alum Cherry Finish K CP
	18	14266-CH	8' - 2" OD Cherry Finish SP
Option C	2	14112-KP	19' - 4" OD SW Alum Pine Finish Q CP
	2	14113-KP	21' - 4" OD SW Alum Pine Finish K CP
	18	14266-KP	8' - 2" OD Pine Finish SP
Standard	22	14865	1" Ratchet w/ Twisted Hook
	22	15224	1"x30" Dbl Headed Stakes
Optional	1	17516	Squaring Jig for 32' Stillwater

Fred's Standard
32'x70' Stillwater

PROPRIETARY INFORMATION
THE DATA AND DETAILS SHOWN ON THIS PAGE ARE THE SOLE PROPERTY OF FRED'S TENTS & CANOPIES. IT MAY NOT BE USED, DISCLOSED, OR DUPLICATED IN ANY WAY.

FRED'S TENTS & CANOPIES

Waterford, NY 12188
www.wemetents.com • 518.233.8368

32x70 SW PL

DRAWN BY: MO APP. BY: REV: 00 DATE: 03-10-15

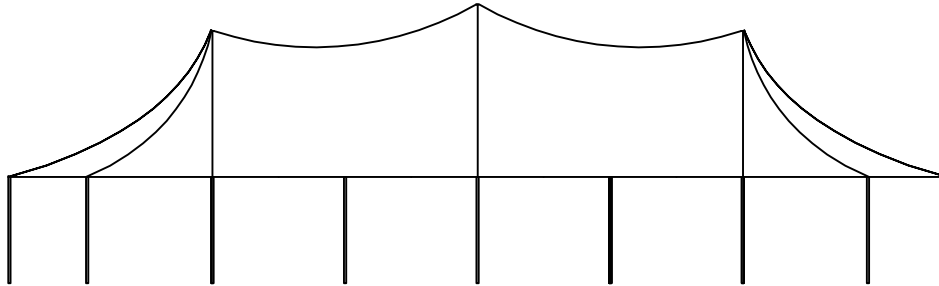
SALES DWG

ITEM# Fabric: 16369/16366

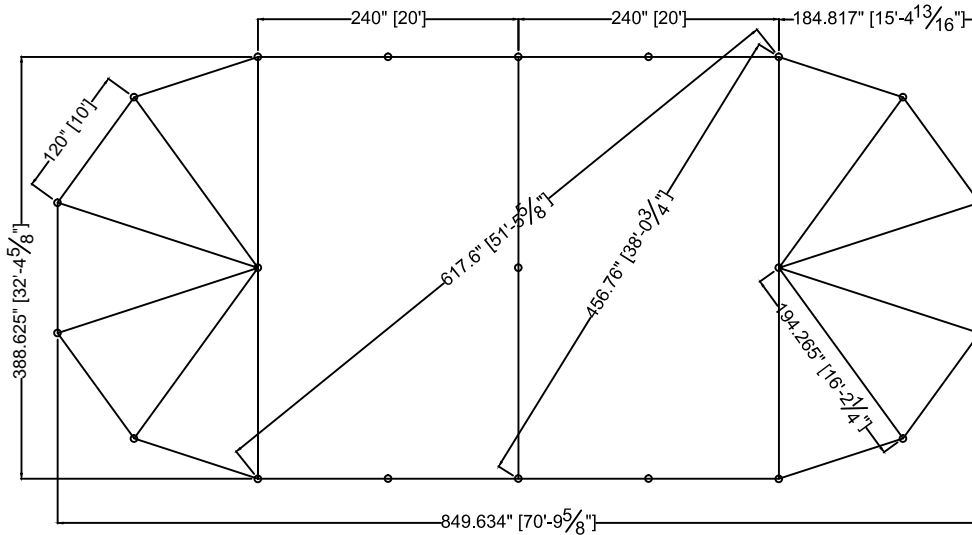
Pole Package: A, B, or C

Stakes & Ratchets: 14865/15224

Stillwater 32'x70'



C-2



Std/Opt	Qty	Part#	Description
Standard	2	16369	15' Q-End
	2	16366	32'x 20' QK Mid
Option A	2	14112	19' - 4" OD SW Alum Q CP
	1	14113	21' - 4" OD SW Alum K CP
	18	14266	8' - 2" OD Alum SP
Option B	2	14112-CH	19' - 4" OD SW Alum Cherry Finish Q CP
	1	14113-CH	21' - 4" OD SW Alum Cherry Finish K CP
	18	14266-CH	8' - 2" OD Cherry Finish SP
Option C	2	14112-KP	19' - 4" OD SW Alum Pine Finish Q CP
	1	14113-KP	21' - 4" OD SW Alum Pine Finish K CP
	18	14266-KP	8' - 2" OD Pine Finish SP
Standard	22	14865	1" Ratchet w/ Twisted Hook
	22	15224	1"x30" Dbl Headed Stakes
Optional	1	17516	Squaring Jig for 32' Stillwater

**Fred's Standard
32'x70' Stillwater**

PROPRIETARY INFORMATION
THE DATA AND DETAILS SHOWN ON THIS PAGE ARE THE SOLE PROPERTY OF FRED'S TENTS & CANOPIES. IT MAY NOT BE USED, DISCLOSED, OR DUPLICATED IN ANY WAY.

FRED'S TENTS & CANOPIES

Waterford, NY 12188

www.wemaketents.com • 518.233.8368

32x70 SW PL

DRAWN BY: MO

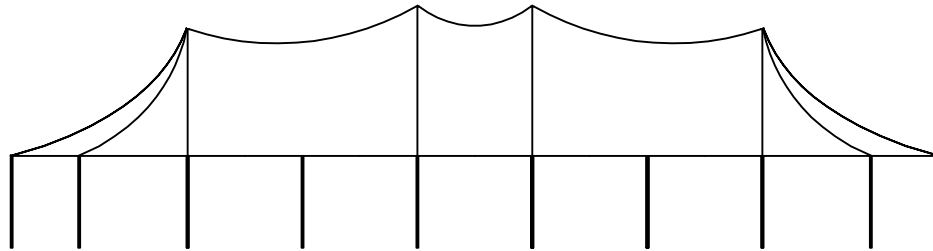
APP. BY:

REV: 00

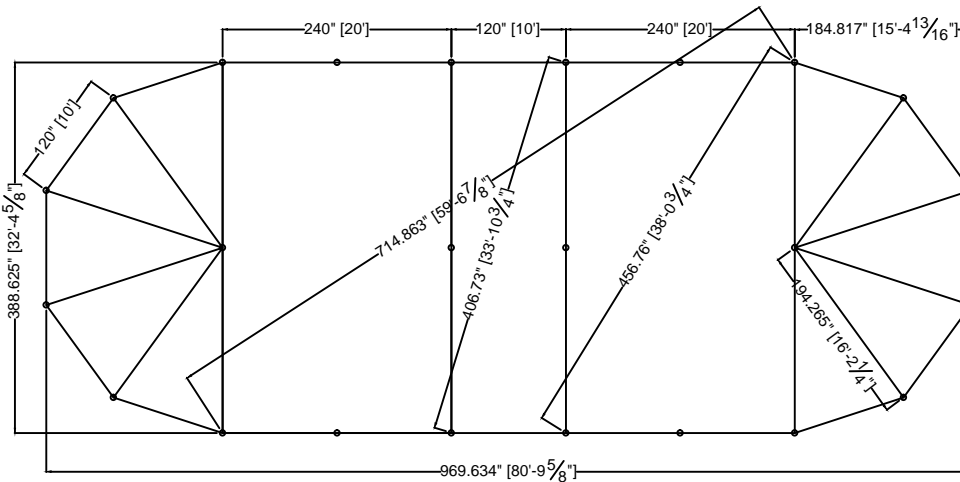
DATE: 03-10-15

SALES DWG

Stillwater 32'x80'



A-2



Std/Opt	Qty	Part#	Description
Standard	2	16369	15' Q-End
	1	17088	32'x 10' KK Mid
	2	16366	32'x 20' QK Mid
Option A	2	14112	19' - 4" OD SW Alum Q CP
	2	14113	21' - 4" OD SW Alum K CP
	20	14266	8' - 2" OD Alum SP
Option B	2	14112-CH	19' - 4" OD SW Alum Cherry Finish Q CP
	2	14113-CH	21' - 4" OD SW Alum Cherry Finish K CP
	20	14266-CH	8' - 2" OD Cherry Finish SP
Option C	2	14112-KP	19' - 4" OD SW Alum Pine Finish Q CP
	2	14113-KP	21' - 4" OD SW Alum Pine Finish K CP
	20	14266-KP	8' - 2" OD Pine Finish SP
Standard	24	14865	1" Ratchet w/ Twisted Hook
	24	15224	1"x30" Dbl Headed Stakes
Optional	1	17516	Squaring Jig for 32' Stillwater

Fred's Standard
32'x80' Stillwater

PROPRIETARY INFORMATION
THE DATA AND DETAILS SHOWN ON THIS PAGE ARE THE SOLE PROPERTY OF FRED'S TENTS & CANOPIES. IT MAY NOT BE USED, DISCLOSED, OR DUPLICATED IN ANY WAY.

FRED'S TENTS & CANOPIES

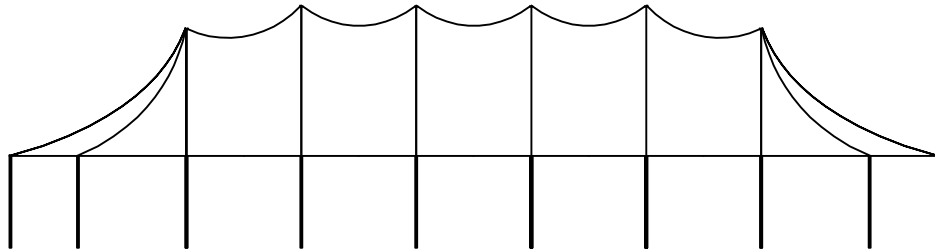
Waterford, NY 12188
www.wemaketents.com • 518.233.8368

32x80 SW PL

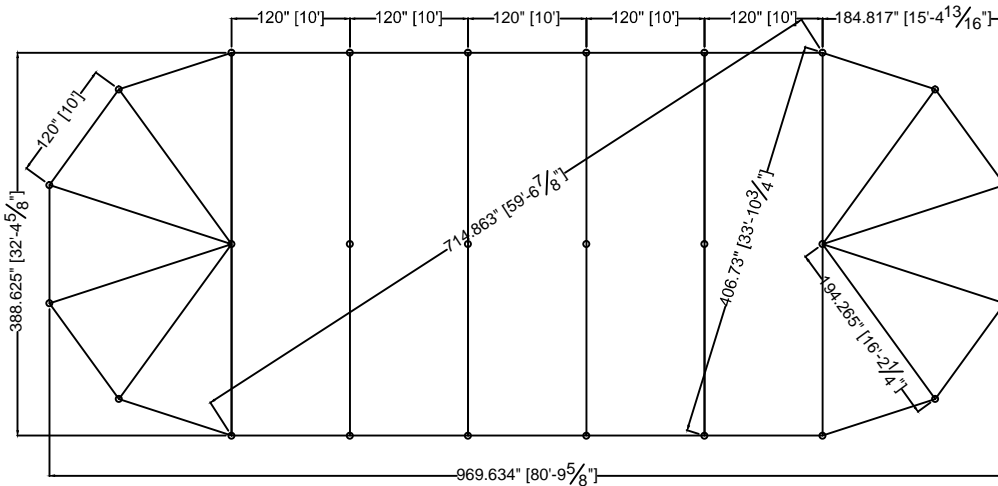
DRAWN BY: MO APP. BY: REV: 00 DATE: 03-10-15

SALES DWG

Stillwater 32'x80'



B-2



Std/Opt	Qty	Part#	Description
Standard	2	16369	15' Q-End
	2	16721	32'x 10' QK Mid
	1	17088	32'x 10' KK Mid
Option A	2	14112	19' - 4" OD SW Alum Q CP
	4	14113	21' - 4" OD SW Alum K CP
	20	14266	8' - 2" OD Alum SP
Option B	2	14112-CH	19' - 4" OD SW Alum Cherry Finish Q CP
	4	14113-CH	21' - 4" OD SW Alum Cherry Finish K CP
	20	14266-CH	8' - 2" OD Cherry Finish SP
Option C	2	14112-KP	19' - 4" OD SW Alum Pine Finish Q CP
	4	14113-KP	21' - 4" OD SW Alum Pine Finish K CP
	20	14266-KP	8' - 2" OD Pine Finish SP
Standard	24	14865	1" Ratchet w/ Twisted Hook
	24	15224	1"x30" Dbl Headed Stakes
Optional	1	17516	Squaring Jig for 32' Stillwater

**Fred's Standard
32'x80' Stillwater**

PROPRIETARY INFORMATION
THE DATA AND DETAILS SHOWN ON THIS PAGE ARE THE SOLE PROPERTY OF FRED'S TENTS & CANOPIES. IT MAY NOT BE USED, DISCLOSED, OR DUPLICATED IN ANY WAY.

FRED'S TENTS & CANOPIES

Waterford, NY 12188
www.wemaketents.com • 518.233.8368

32x80 SW PL

DRAWN BY: MO APP. BY: REV: 00 DATE: 03-10-15

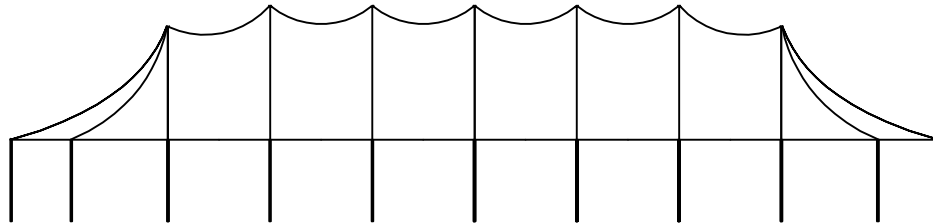
SALES DWG

ITEM # Fabric: 16369/16721/17088

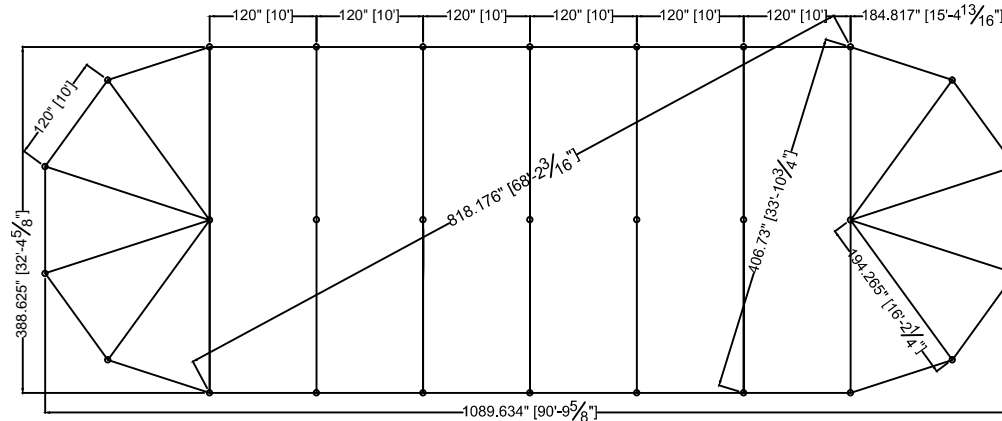
Pole Package: A, B, or C

Stakes & Ratchets: 14865/15224

Stillwater 32'x90'



A-2



Std/Opt	Qty	Part#	Description
Standard	2	16369	15' Q-End
	2	16721	32'x 10' QK Mid
	4	17088	32'x 10' KK Mid
Option A	2	14112	19' - 4" OD SW Alum Q CP
	5	14113	21' - 4" OD SW Alum K CP
	22	14266	8' - 2" OD Alum SP
Option B	2	14112-CH	19' - 4" OD SW Alum Cherry Finish Q CP
	5	14113-CH	21' - 4" OD SW Alum Cherry Finish K CP
	22	14266-CH	8' - 2" OD Cherry Finish SP
Option C	2	14112-KP	19' - 4" OD SW Alum Pine Finish Q CP
	5	14113-KP	21' - 4" OD SW Alum Pine Finish K CP
	22	14266-KP	8' - 2" OD Pine Finish SP
Standard	26	14865	1" Ratchet w/ Twisted Hook
	26	15224	1"x30" Dbl Headed Stakes
Optional	1	17516	Squaring Jig for 32' Stillwater

Fred's Standard
32'x90' Stillwater

PROPRIETARY INFORMATION
THE DATA AND DETAILS SHOWN ON THIS PAGE ARE THE
SOLE PROPERTY OF FRED'S TENTS & CANOPIES. IT MAY
NOT BE USED, DISCLOSED, OR DUPLICATED IN ANY WAY.

FRED'S TENTS & CANOPIES

Waterford, NY 12188
www.wemaketents.com • 518.233.8368

32x90 SW PL

DRAWN BY: MO APP. BY: REV: 00 DATE: 03-10-15

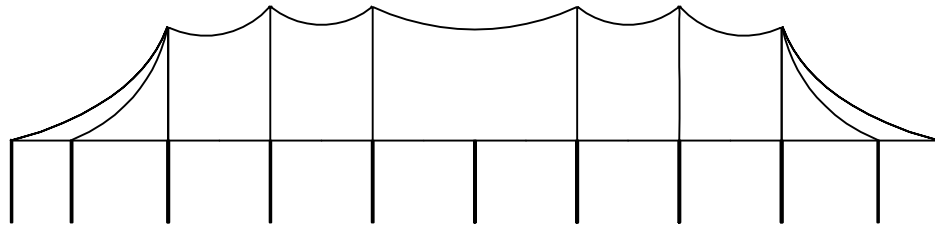
SALES DWG

ITEM # Fabric: 16369/16721/17088/16367

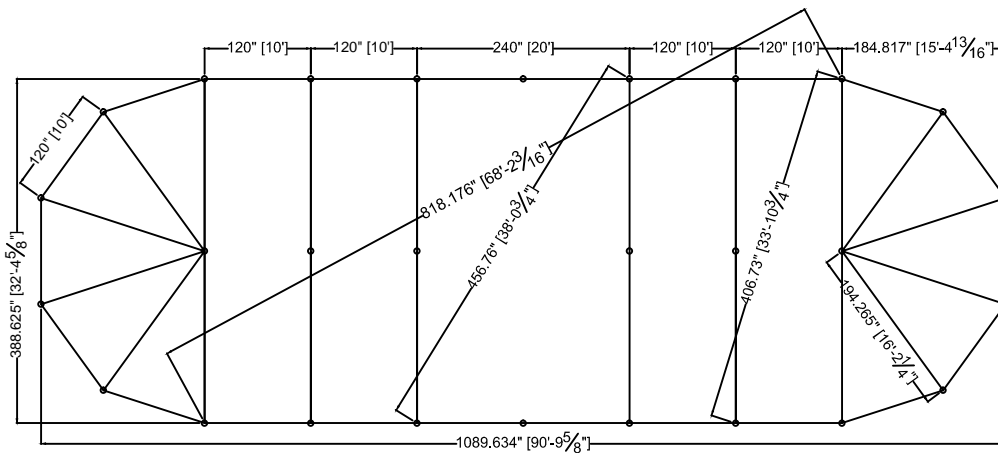
Pole Package: A, B, or C

Stakes & Ratchets: 14865/15224

Stillwater 32'x90'



B-2



Std/Opt	Qty	Part#	Description
Standard	2	16369	15' Q-End
	2	16721	32'x 10' QK Mid
	2	17088	32'x 10' KK Mid
	1	16367	32'x 20' KK Mid
Option A	2	14112	19' - 4" OD SW Alum Q CP
	4	14113	21' - 4" OD SW Alum K CP
	22	14266	8' - 2" OD Alum SP
Option B	2	14112-CH	19' - 4" OD SW Alum Cherry Finish Q CP
	4	14113-CH	21' - 4" OD SW Alum Cherry Finish K CP
	22	14266-CH	8' - 2" OD Cherry Finish SP
Option C	2	14112-KP	19' - 4" OD SW Alum Pine Finish Q CP
	4	14113-KP	21' - 4" OD SW Alum Pine Finish K CP
	22	14266-KP	8' - 2" OD Pine Finish SP
Standard	26	14865	1" Ratchet w/ Twisted Hook
	26	15224	1"x30" Dbl Headed Stakes
Optional	1	17516	Squaring Jig for 32' Stillwater

Fred's Standard
32'x90' Stillwater

PROPRIETARY INFORMATION
THE DATA AND DETAILS SHOWN ON THIS PAGE ARE THE
SOLE PROPERTY OF FRED'S TENTS & CANOPIES. IT MAY
NOT BE USED, DISCLOSED, OR DUPLICATED IN ANY WAY.

FRED'S TENTS & CANOPIES

Waterford, NY 12188
www.wemaketents.com • 518.233.8368

32x90 SW PL

DRAWN BY: MO APP. BY: REV: 00 DATE: 03-10-15

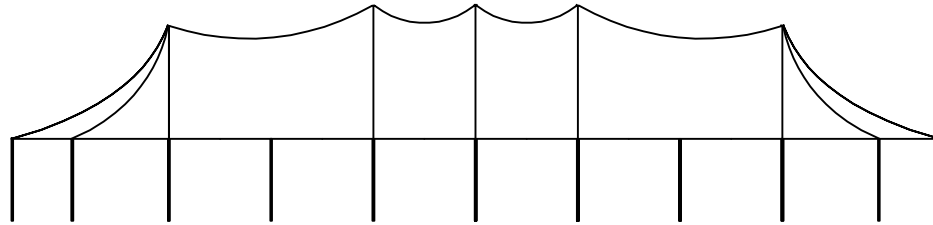
SALES DWG

ITEM# Fabric: 16369/16366/17088

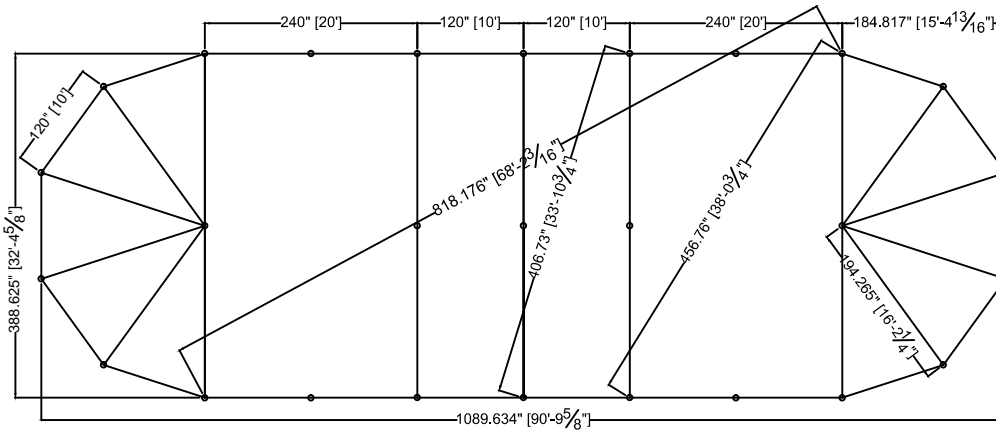
Pole Package: A, B, or C

Stakes & Ratchets: 14865/15224

Stillwater 32'x90'



D-2



Std/Opt	Qty	Part#	Description
Standard	2	16369	15' Q-End
	2	17088	32'x 10' KK Mid
	2	16366	32'x 20' QK Mid
Option A	2	14112	19' - 4" OD SW Alum Q CP
	3	14113	21' - 4" OD SW Alum K CP
	22	14266	8' - 2" OD Alum SP
Option B	2	14112-CH	19' - 4" OD SW Alum Cherry Finish Q CP
	3	14113-CH	21' - 4" OD SW Alum Cherry Finish K CP
	22	14266-CH	8' - 2" OD Cherry Finish SP
Option C	2	14112-KP	19' - 4" OD SW Alum Pine Finish Q CP
	3	14113-KP	21' - 4" OD SW Alum Pine Finish K CP
	22	14266-KP	8' - 2" OD Pine Finish SP
Standard	26	14865	1" Ratchet w/ Twisted Hook
	26	15224	1"x30" Dbl Headed Stakes
Optional	1	17516	Squaring Jig for 32' Stillwater

Fred's Standard
32'x90' Stillwater

PROPRIETARY INFORMATION
THE DATA AND DETAILS SHOWN ON THIS PAGE ARE THE
SOLE PROPERTY OF FRED'S TENTS & CANOPIES. IT MAY
NOT BE USED, DISCLOSED, OR DUPLICATED IN ANY WAY.

FRED'S TENTS & CANOPIES

Waterford, NY 12188
www.wemaketents.com • 518.233.8368

32x90 SW PL

DRAWN
BY: MO

APP.
BY:

REV:
00

DATE:
03-10-15

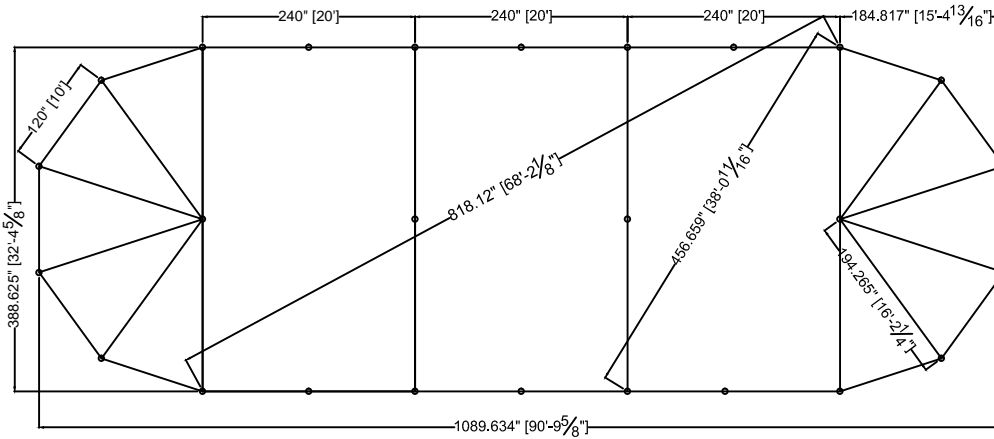
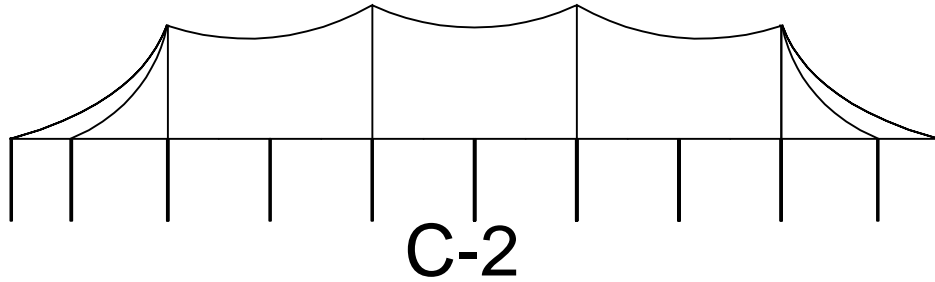
SALES DWG

ITEM# Fabric: 16369/16366/16367

Pole Package: A, B, or C

Stakes & Ratchets: 14865/15224

Stillwater 32'x90'



Std/Opt	Qty	Part#	Description
Standard	2	16369	15' Q-End
	2	16366	32'x 20' QK Mid
	1	16367	32'x 20' KK Mid
Option A	2	14112	19' - 4" OD SW Alum Q CP
	2	14113	21' - 4" OD SW Alum K CP
	22	14266	8' - 2" OD Alum SP
Option B	2	14112-CH	19' - 4" OD SW Alum Cherry Finish Q CP
	2	14113-CH	21' - 4" OD SW Alum Cherry Finish K CP
	22	14266-CH	8' - 2" OD Cherry Finish SP
Option C	2	14112-KP	19' - 4" OD SW Alum Pine Finish Q CP
	2	14113-KP	21' - 4" OD SW Alum Pine Finish K CP
	22	14266-KP	8' - 2" OD Pine Finish SP
Standard	26	14865	1" Ratchet w/ Twisted Hook
	26	15224	1"x30" Dbl Headed Stakes
Optional	1	17516	Squaring Jig for 32' Stillwater

Fred's Standard
32'x90' Stillwater

PROPRIETARY INFORMATION
THE DATA AND DETAILS SHOWN ON THIS PAGE ARE THE
SOLE PROPERTY OF FRED'S TENTS & CANOPIES. IT MAY
NOT BE USED, DISCLOSED, OR DUPLICATED IN ANY WAY.

FRED'S TENTS & CANOPIES

Waterford, NY 12188
www.wemaketents.com • 518.233.8368

32x90 SW PL

DRAWN BY: MO APP. BY: REV: 00 DATE: 03-10-15

SALES DWG