

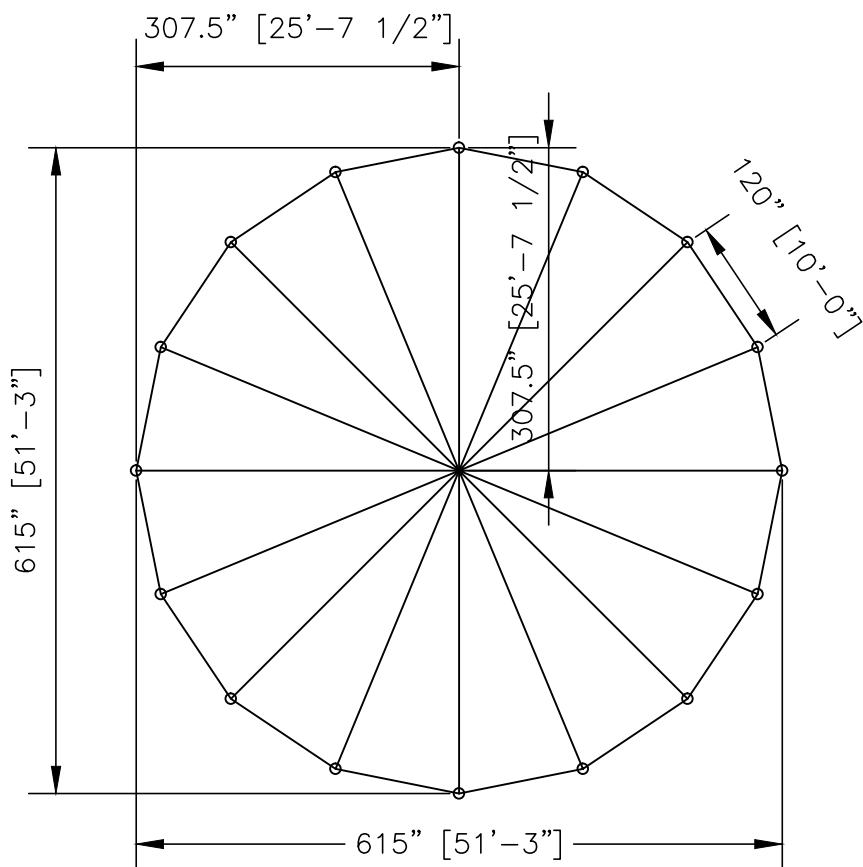
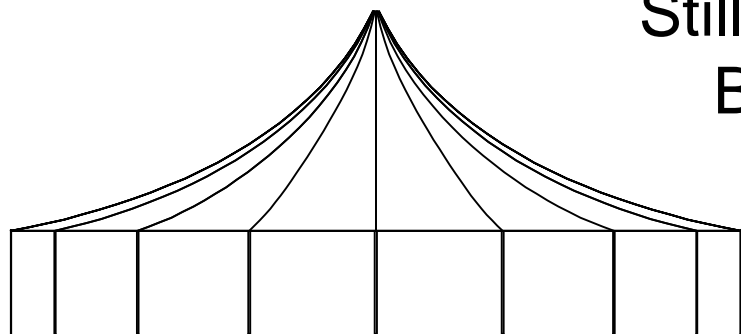
ITEM# Fabric: 23650

Pole Package: A, B, or C

Stakes & Ratchets: 14864 15227-P

# Stillwater 51'x51'

## Breakwater



Std/Opt	Qty	Part#	Description
Standard	2	23650	28' Q-End
Option A	1	14122	25' - 4" OD SCH 40 Alum Q CP
	18	14266	8' - 2" OD Alum SP
Option B	1	14122-CH	25' - 4" OD SCH 40 Cherry Finish Q CP
	18	14266-CH	8' - 2" OD Cherry Finish SP
Option C	1	14122-KP	25' - 4" OD SCH 40 Pine Finish Q CP
	18	14266-KP	8' - 2" OD Pine Finish SP
Standard	22	14864	2" Heavy Duty Ratchets
	44	15227-P	1"x42" Dbl Headed Stakes
Optional	1	23689	Squaring Jig for 51' Stillwater

**Fred's Standard  
51'x51' Stillwater**

**PROPRIETARY INFORMATION**  
THE DATA AND DETAILS SHOWN ON THIS PAGE ARE THE  
SOLE PROPERTY OF FRED'S TENTS & CANOPIES. IT MAY  
NOT BE USED, DISCLOSED, OR DUPLICATED IN ANY WAY.

**FRED'S TENTS & CANOPIES**

Waterford, NY 12188

www.wemaketents.com • 518.233.8368

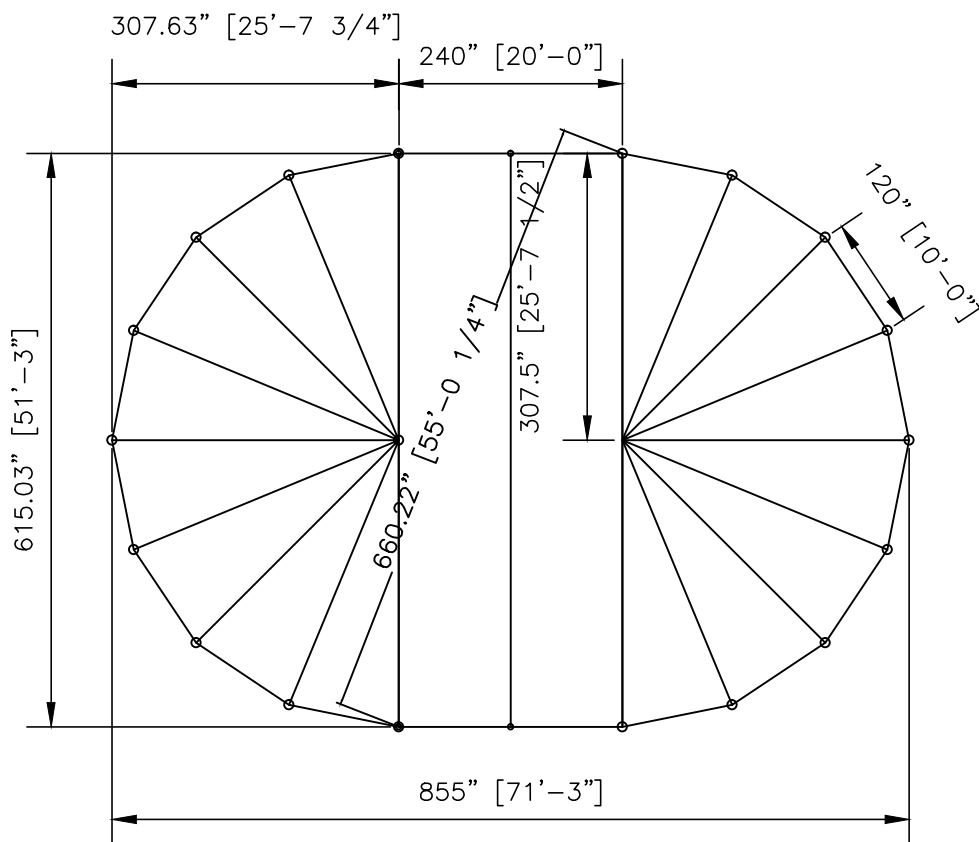
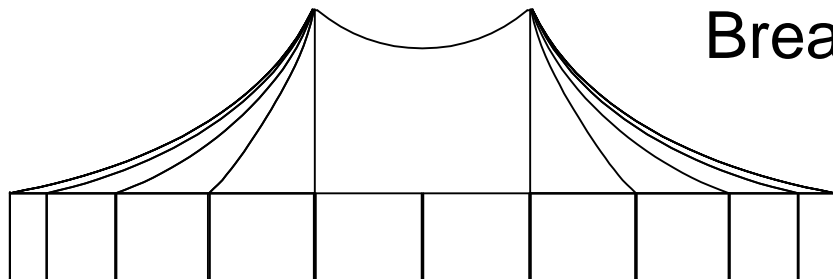
51x51 SW PL

DRAWN BY: RW APP. BY: TV REV: 00 DATE: 12.14.17

SALES DWG

# Stillwater 51'x71'

## Breakwater



Std/Opt	Qty	Part#	Description
Standard	2	23650	28' Q-End
	1	23651	51'x 20' QQ Mid
Option A	2	14122	25' - 4" OD SCH 40 Alum Q CP
	22	14266	8' - 2" OD Alum SP
Option B	2	14122-CH	25' - 4" OD SCH 40 Cherry Finish Q CP
	22	14266-CH	8' - 2" OD Cherry Finish SP
Option C	2	14122-KP	25' - 4" OD SCH 40 Pine Finish Q CP
	22	14266-KP	8' - 2" OD Pine Finish SP
Standard	26	14864	2" Heavy Duty Ratchets
	52	15227-P	1"x42" Dbl Headed Stakes
Optional	1	23689	Squaring Jig for 51' Stillwater

**Fred's Standard  
51'x71' Stillwater**

**PROPRIETARY INFORMATION**  
THE DATA AND DETAILS SHOWN ON THIS PAGE ARE THE  
SOLE PROPERTY OF FRED'S TENTS & CANOPIES. IT MAY  
NOT BE USED, DISCLOSED, OR DUPLICATED IN ANY WAY.

**FRED'S TENTS & CANOPIES**

Waterford, NY 12188  
www.wemaketents.com • 518.233.8368

51x71 SW PL

DRAWN BY: RW APP. BY: TV REV: 00 DATE: 12.14.17

SALES DWG

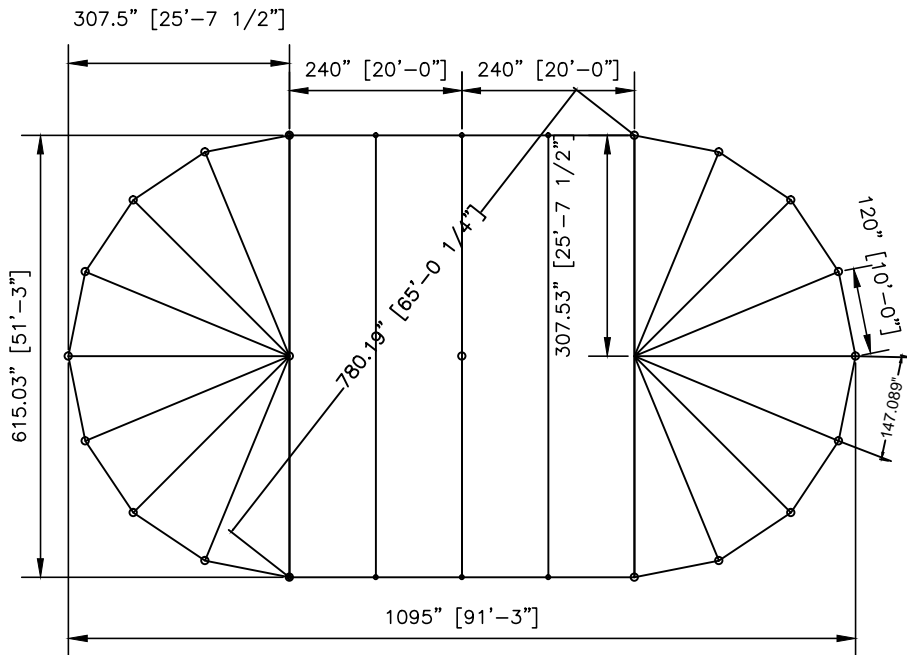
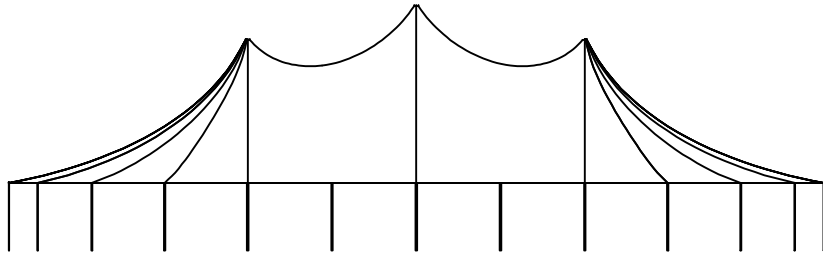
ITEM# Fabric: 23650/23652

Pole Package: A, B, or C

Stakes & Ratchets: 14864 15227-P

# Stillwater 51'x91'

## Breakwater



Std/Opt	Qty	Part#	Description
Standard	2	23650	28' Q-End
	2	23652	51'x 20' QK Mid
Option A	2	14122	25' - 4" OD SCH 40 Alum Q CP
	1	14124	29' - 4" OD SCH 40 Alum K CP
	26	14266	8' - 2" OD Alum SP
Option B	2	14122-CH	25' - 4" OD SCH 40 Cherry Finish Q CP
	1	14124-CH	29' - 4" OD SCH 40 Cherry Finish K CP
	26	14266-CH	8' - 2" OD Cherry Finish SP
Option C	2	14122-KP	25' - 4" OD SCH 40 Pine Finish Q CP
	1	14124-KP	29' - 4" OD SCH 40 Pine Finish K CP
	26	14266-KP	8' - 2" OD Pine Finish SP
Standard	30	14864	2" Heavy Duty Ratchets
	60	15227-P	1"x42" Dbl Headed Stakes
Optional	1	23689	Squaring Jig for 51' Stillwater

**Fred's Standard  
51'x91' Stillwater**

**PROPRIETARY INFORMATION**  
THE DATA AND DETAILS SHOWN ON THIS PAGE ARE THE SOLE PROPERTY OF FRED'S TENTS & CANOPIES. IT MAY NOT BE USED, DISCLOSED, OR DUPLICATED IN ANY WAY.

**FRED'S TENTS & CANOPIES**

Waterford, NY 12188  
www.wemaketents.com • 518.233.8368

51x91 SW PL

DRAWN BY: RW APP. BY: TV REV: 00 DATE: 12.14.17

SALES DWG

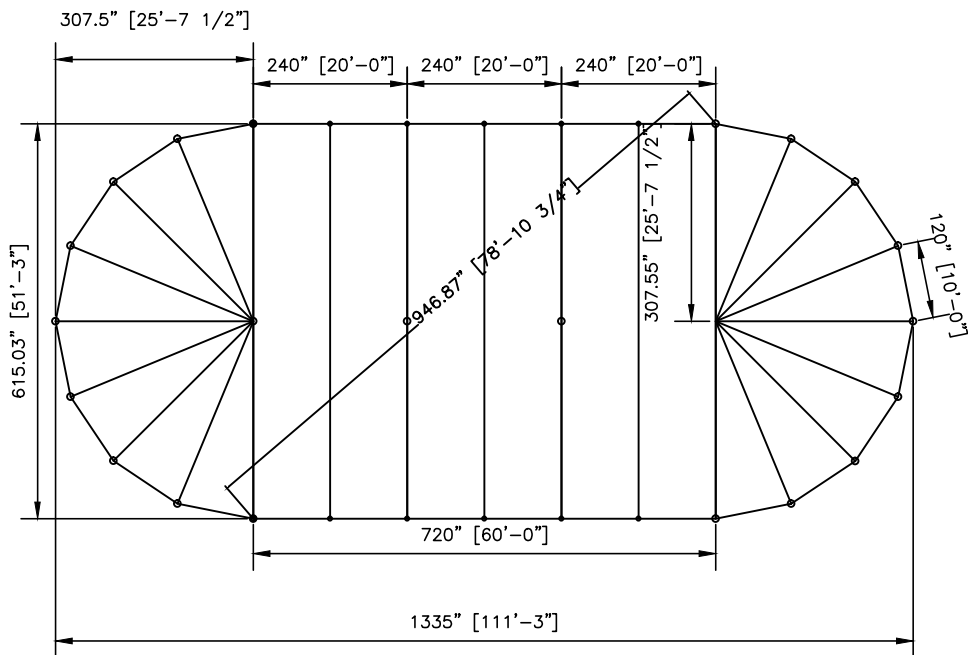
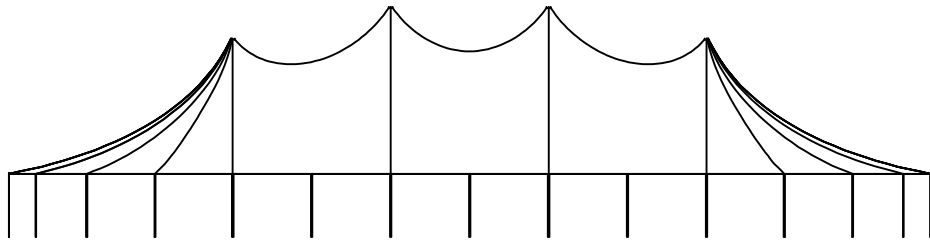
ITEM# Fabric: 23650/23652/23653

Pole Package: A, B, or C

Stakes & Ratchets: 14864 15227-P

# Stillwater 51'x111'

## Breakwater



Std/Opt	Qty	Part#	Description
Standard	2	23650	28' Q-End
	2	23652	51'x 20' QK Mid
	1	23653	51'x 20' KK Mid
Option A	2	14122	25' - 4" OD SCH 40 Alum Q CP
	2	14124	29' - 4" OD SCH 40 Alum K CP
	30	14266	8' - 2" OD Alum SP
Option B	2	14122-CH	25' - 4" OD SCH 40 Cherry Finish Q CP
	2	14124-CH	29' - 4" OD SCH 40 Cherry Finish K CP
	30	14266-CH	8' - 2" OD Cherry Finish SP
Option C	2	14122-KP	25' - 4" OD SCH 40 Pine Finish Q CP
	2	14124-KP	29' - 4" OD SCH 40 Pine Finish K CP
	30	14266-KP	8' - 2" OD Pine Finish SP
Standard	34	14864	2" Heavy Duty Ratchets
	68	15227-P	1"x42" Dbl Headed Stakes
Optional	1	23689	Squaring Jig for 51' Stillwater

Fred's Standard  
51'x111' Stillwater

PROPRIETARY INFORMATION  
THE DATA AND DETAILS SHOWN ON THIS PAGE ARE THE  
SOLE PROPERTY OF FRED'S TENTS & CANOPIES. IT MAY  
NOT BE USED, DISCLOSED, OR DUPLICATED IN ANY WAY.

FRED'S TENTS & CANOPIES

Waterford, NY 12188

www.wemaketents.com • 518.233.8368

51x111 SW PL

DRAWN  
BY: RW

APP.  
BY: TV

REV:  
00

DATE:  
12.14.17

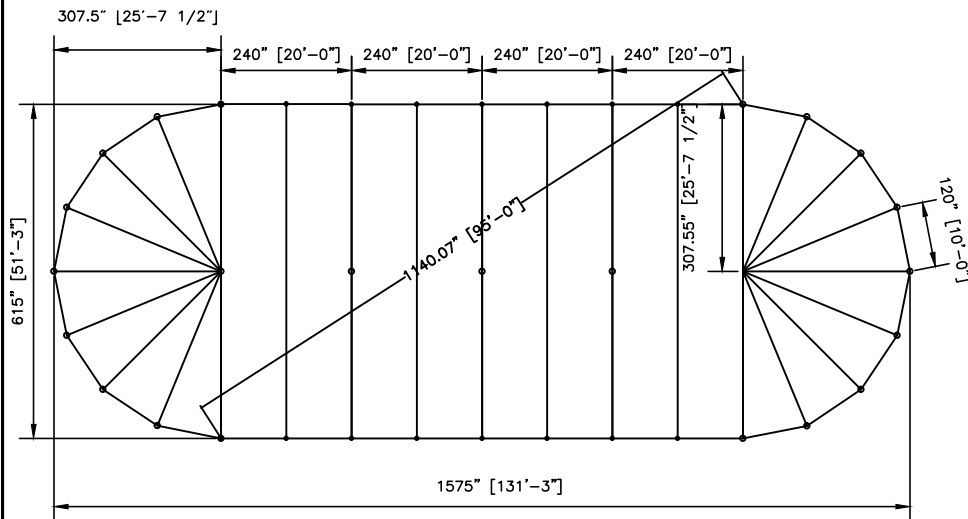
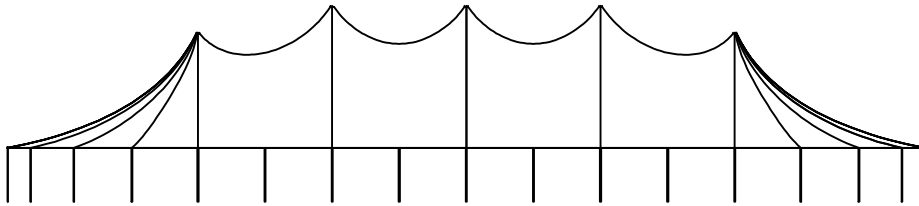
SALES DWG

ITEM # Fabric: 23650/23652/23653

Pole Package: A, B, or C

Stakes & Ratchets: 14864 15227-P

# Stillwater 51'x131' Breakwater



Std/Opt	Qty	Part#	Description
Standard	2	23650	28' Q-End
	2	23652	51'x 20' QK Mid
	2	23653	51'x 20' KK Mid
Option A	2	14122	25' - 4" OD SCH 40 Alum Q CP
	3	14124	29' - 4" OD SCH 40 Alum K CP
	34	14266	8' - 2" OD Alum SP
Option B	2	14122-CH	25' - 4" OD SCH 40 Cherry Finish Q CP
	3	14124-CH	29' - 4" OD SCH 40 Cherry Finish K CP
	34	14266-CH	8' - 2" OD Cherry Finish SP
Option C	2	14122-KP	25' - 4" OD SCH 40 Pine Finish Q CP
	3	14124-KP	29' - 4" OD SCH 40 Pine Finish K CP
	34	14266-KP	8' - 2" OD Pine Finish SP
Standard	38	14864	2" Heavy Duty Ratchets
	76	15227-P	1"x42" Dbl Headed Stakes
Optional	1	23689	Squaring Jig for 51' Stillwater

**Fred's Standard  
51'x131' Stillwater**

**PROPRIETARY INFORMATION**  
THE DATA AND DETAILS SHOWN ON THIS PAGE ARE THE SOLE PROPERTY OF FRED'S TENTS & CANOPIES. IT MAY NOT BE USED, DISCLOSED, OR DUPLICATED IN ANY WAY.

**FRED'S TENTS & CANOPIES**

Waterford, NY 12188  
www.wemaketents.com • 518.233.8368

51x131 SW PL

DRAWN BY: RW APP. BY: TV REV: 00 DATE: 12.14.17

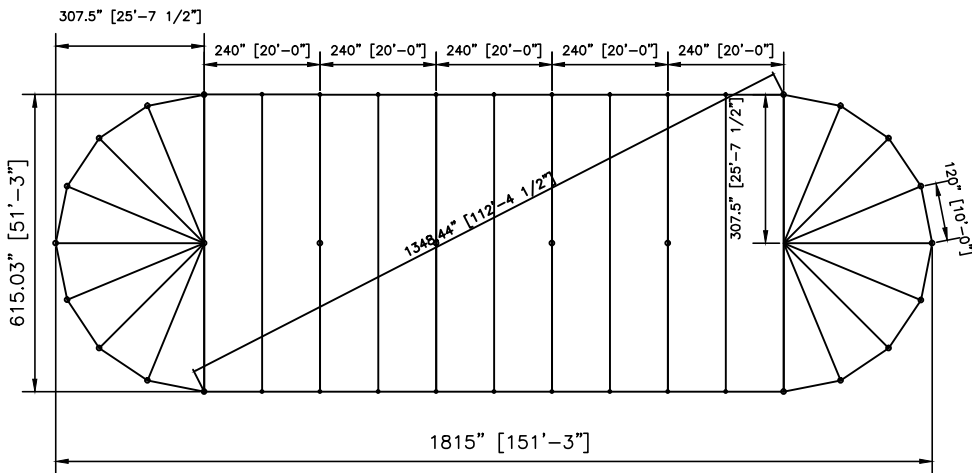
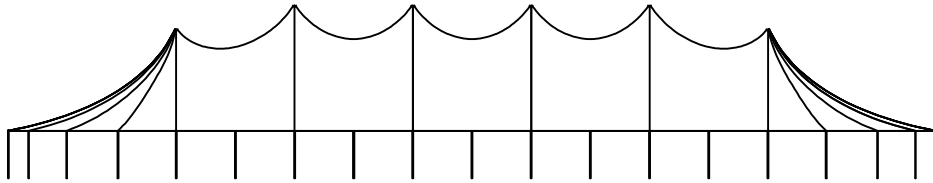
SALES DWG

ITEM# Fabric:23650/23652/23653

Pole Package: A, B, or C

Stakes & Ratchets: 14864 15227-P

# Stillwater 51'x151' Breakwater



Std/Opt	Qty	Part#	Description
Standard	2	23650	28' Q-End
	2	23652	51'x 20' QK Mid
	3	23653	51'x 20' KK Mid
Option A	2	14122	25' - 4" OD SCH 40 Alum Q CP
	4	14124	29' - 4" OD SCH 40 Alum K CP
	38	14266	8' - 2" OD Alum SP
Option B	2	14122-CH	25' - 4" OD SCH 40 Cherry Finish Q CP
	4	14124-CH	29' - 4" OD SCH 40 Cherry Finish K CP
	38	14266-CH	8' - 2" OD Cherry Finish SP
Option C	2	14122-KP	25' - 4" OD SCH 40 Pine Finish Q CP
	4	14124-KP	29' - 4" OD SCH 40 Pine Finish K CP
	38	14266-KP	8' - 2" OD Pine Finish SP
Standard		14864	2" Heavy Duty Ratchets
		15227-P	1"x42" Dbl Headed Stakes
Optional	1	23689	Squaring Jig for 51' Stillwater

Fred's Standard  
51'x151' Stillwater

**PROPRIETARY INFORMATION**  
THE DATA AND DETAILS SHOWN ON THIS PAGE ARE THE  
SOLE PROPERTY OF FRED'S TENTS & CANOPIES. IT MAY  
NOT BE USED, DISCLOSED, OR DUPLICATED IN ANY WAY.

**FRED'S TENTS & CANOPIES**

Waterford, NY 12188  
www.wemaketents.com • 518.233.8368

51x151 SW PL

DRAWN BY: RW APP. BY: TV REV: 00 DATE: 12.14.17

SALES DWG