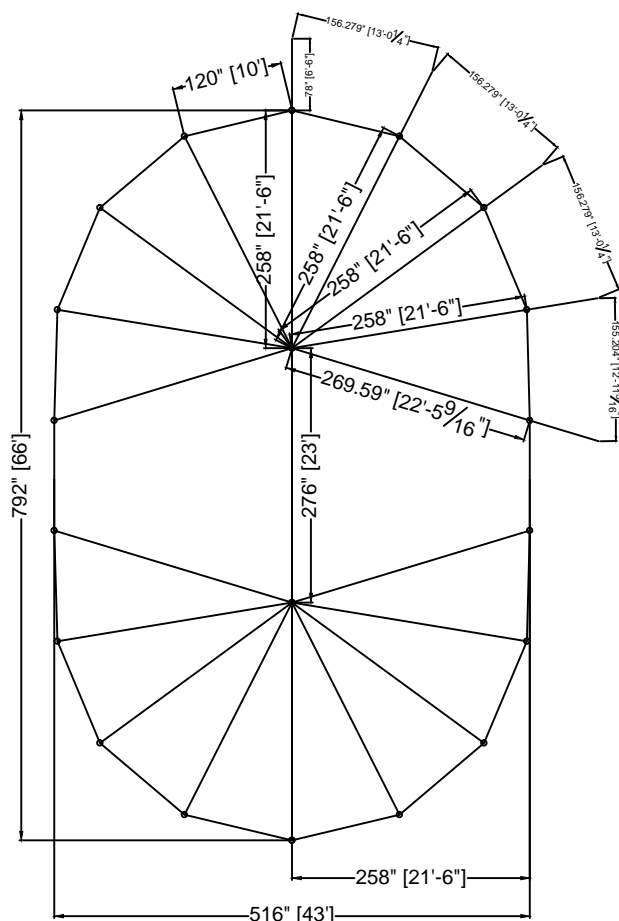
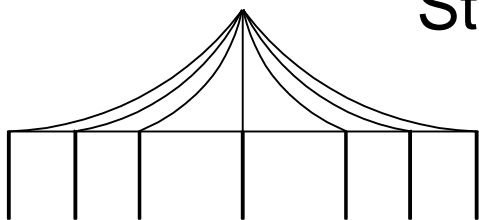


ITEM # Fabric: 20434

Pole Package: A, B, or C

Stakes & Ratchets: 14864 15227-P

# Stillwater 66'x43' DP



Std/Opt	Qty	Part#	Description
Standard	2	20434	66' Q-End
Option A	2	14122	25' - 4" OD SCH 40 Alum Q CP
	18	14266	8' - 2" OD Alum SP
Option B	2	14122-CH	25' - 4" OD SCH 40 Cherry Finish Q CP
	18	14266-CH	8' - 2" OD Cherry Finish SP
Option C	2	14122-KP	25' - 4" OD SCH 40 Pine Finish Q CP
	18	14266-KP	8' - 2" OD Pine Finish SP
Standard	20	14864	2" Heavy Duty Ratchets
	40	15227-P	1"x42" Dbl Headed Stakes
Optional	1	16428	Squaring Jig for 66' Stillwater

**Fred's Standard  
66'x43' Double Pole  
Stillwater**

**PROPRIETARY INFORMATION**  
THE DATA AND DETAILS SHOWN ON THIS PAGE ARE THE  
SOLE PROPERTY OF FRED'S TENTS & CANOPIES. IT MAY  
NOT BE USED, DISCLOSED, OR DUPLICATED IN ANY WAY.

**FRED'S TENTS & CANOPIES**

Waterford, NY 12188  
www.wemaketents.com • 518.233.8368

66x43 SW DP PL

DRAWN BY: MO APP. BY: TV REV: 00 DATE: 03-18-15

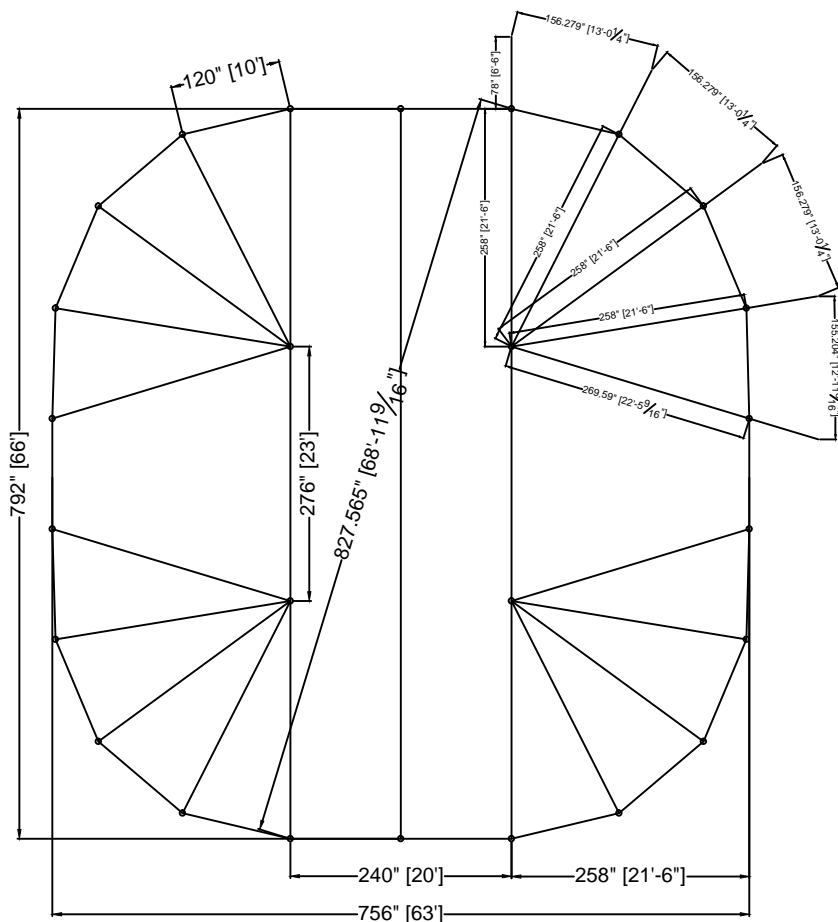
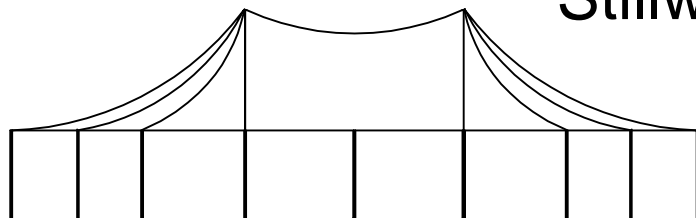
SALES DWG

ITEM # Fabric: 20434/20435

Pole Package: A, B, or C

Stakes & Ratchets: 14864 15227-P

# Stillwater 66'x63' DP



Std/Opt	Qty	Part#	Description
Standard	2	20434	66' Q-End
	1	20435	66'x 20' QQ Mid
Option A	4	14122	25' - 4" OD SCH 40 Alum Q CP
	22	14266	8' - 2" OD Alum SP
Option B	4	14122-CH	25' - 4" OD SCH 40 Cherry Finish Q CP
	22	14266-CH	8' - 2" OD Cherry Finish SP
Option C	4	14122-KP	25' - 4" OD SCH 40 Pine Finish Q CP
	22	14266-KP	8' - 2" OD Pine Finish SP
Standard	28	14864	2" Heavy Duty Ratchets
	56	15227-P	1"x42" Dbl Headed Stakes
Optional	1	16428	Squaring Jig for 66' Stillwater

**Fred's Standard  
66'x63' Double Pole  
Stillwater**

**PROPRIETARY INFORMATION**  
THE DATA AND DETAILS SHOWN ON THIS PAGE ARE THE  
SOLE PROPERTY OF FRED'S TENTS & CANOPIES. IT MAY  
NOT BE USED, DISCLOSED, OR DUPLICATED IN ANY WAY.

**FRED'S TENTS & CANOPIES**

Waterford, NY 12188  
www.wemaketents.com • 518.233.8368

66x63 SW DP PL

DRAWN BY: MO APP. BY: TV REV: 00 DATE: 03-18-15

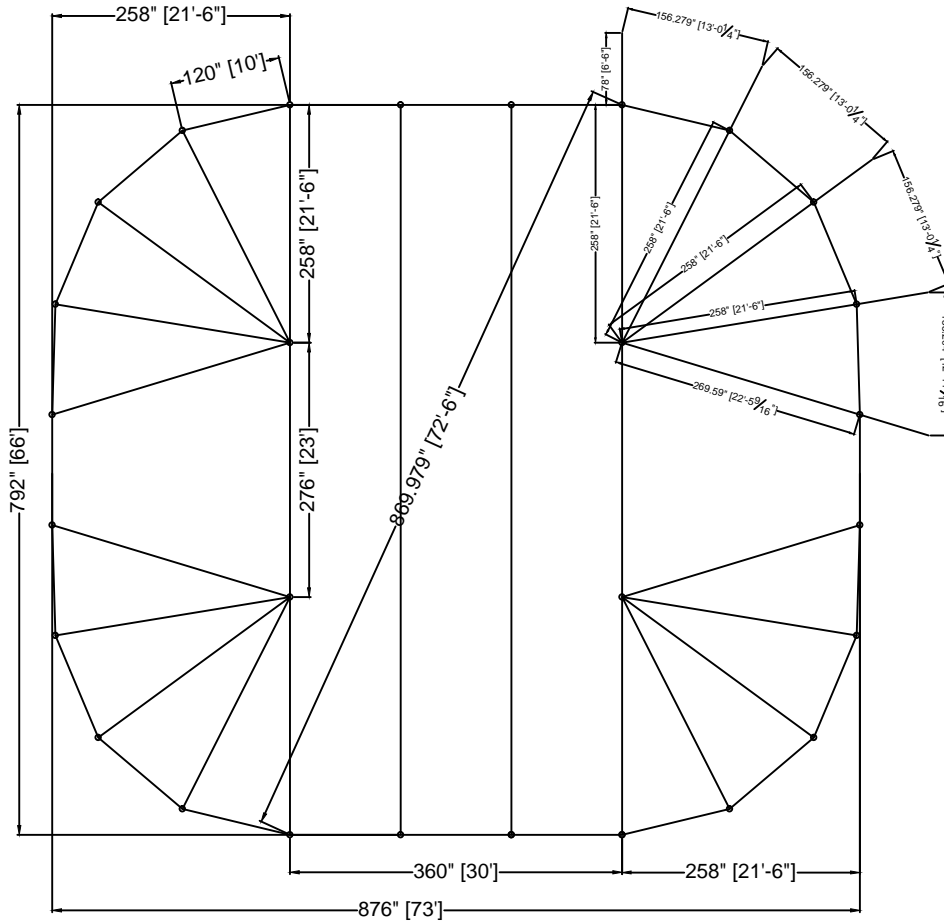
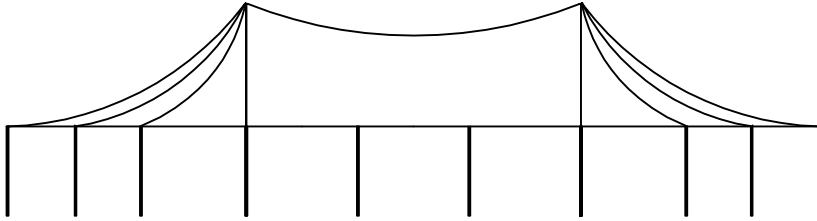
SALES DWG

ITEM # Fabric: 20434/20438

Pole Package: A, B, or C

Stakes & Ratchets: 14864 15227-P

# Stillwater 66'x73' DP



Std/Opt	Qty	Part#	Description
Standard	2	20434	66' Q-End
	2	20438	66'x 30' QQ Mid
Option A	4	14122	25' - 4" OD SCH 40 Alum Q CP
	24	14266	8' - 2" OD Alum SP
Option B	4	14122-CH	25' - 4" OD SCH 40 Cherry Finish Q CP
	24	14266-CH	8' - 2" OD Cherry Finish SP
Option C	4	14122-KP	25' - 4" OD SCH 40 Pine Finish Q CP
	24	14266-KP	8' - 2" OD Pine Finish SP
Standard	28	14864	2" Heavy Duty Ratchets
	56	15227-P	1"x42" Dbl Headed Stakes
Optional	1	16428	Squaring Jig for 66' Stillwater

**Fred's Standard  
66'x73' Double Pole  
Stillwater**

**PROPRIETARY INFORMATION**  
THE DATA AND DETAILS SHOWN ON THIS PAGE ARE THE  
SOLE PROPERTY OF FRED'S TENTS & CANOPIES. IT MAY  
NOT BE USED, DISCLOSED, OR DUPLICATED IN ANY WAY.

**FRED'S TENTS & CANOPIES**

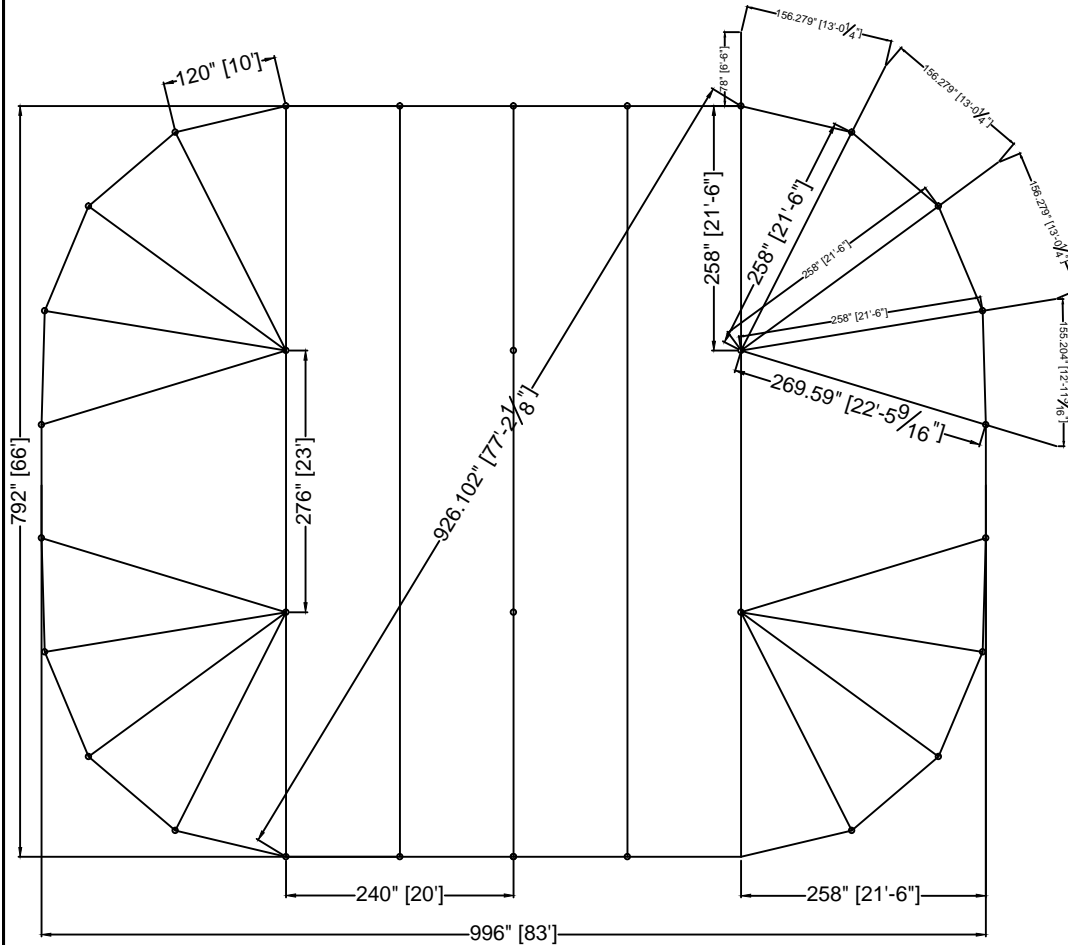
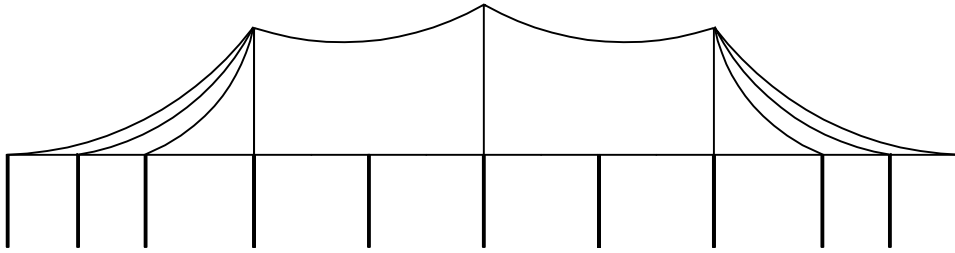
Waterford, NY 12188  
www.wemaketents.com • 518.233.8368

66x73 SW DP PL

DRAWN BY: MO APP. BY: TV REV: 00 DATE: 03-18-15

SALES DWG

# Stillwater 66'x83' DP



Std/Opt	Qty	Part#	Description
Standard	2	20434	66' Q-End
	2	20436	66'x 20' QK Mid
Option A	4	14122	25' - 4" OD SCH 40 Alum Q CP
	2	14124	29' - 4" OD SCH 40 Alum K CP
	26	14266	8' - 2" OD Alum SP
Option B	4	14122-CH	25' - 4" OD SCH 40 Cherry Finish Q CP
	2	14124-CH	29' - 4" OD SCH 40 Cherry Finish K CP
	26	14266-CH	8' - 2" OD Cherry Finish SP
Option C	4	14122-KP	25' - 4" OD SCH 40 Pine Finish Q CP
	2	14124-KP	29' - 4" OD SCH 40 Pine Finish K CP
	26	14266-KP	8' - 2" OD Pine Finish SP
Standard	30	14864	2" Heavy Duty Ratchets
	60	15227-P	1"x42" Dbl Headed Stakes
Optional	1	16428	Squaring Jig for 66' Stillwater

**Fred's Standard  
66'x83' Double Pole  
Stillwater**

**PROPRIETARY INFORMATION**  
THE DATA AND DETAILS SHOWN ON THIS PAGE ARE THE  
SOLE PROPERTY OF FRED'S TENTS & CANOPIES. IT MAY  
NOT BE USED, DISCLOSED, OR DUPLICATED IN ANY WAY.

**FRED'S TENTS & CANOPIES**

Waterford, NY 12188  
www.wemaketents.com • 518.233.8368

66x83 SW DP PL

DRAWN BY: MO APP. BY: TV REV: 00 DATE: 03-18-15

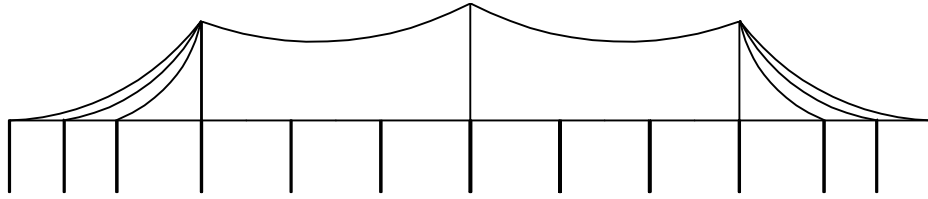
SALES DWG

ITEM # Fabric: 20434/20439

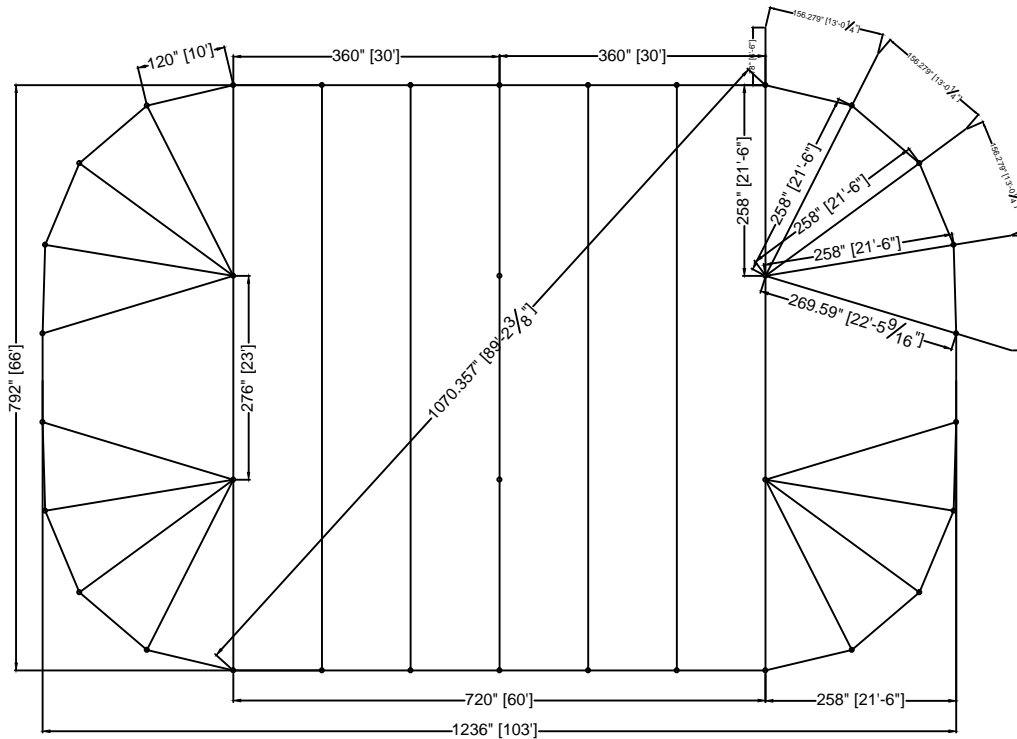
Pole Package: A, B, or C

Stakes & Ratchets: 14864 15227-P

# Stillwater 66'x103' DP



A-2



Std/Opt	Qty	Part#	Description
Standard	2	20434	66' Q-End
	2	20439	66'x 30' QK Mid
Option A	4	14122	25' - 4" OD SCH 40 Alum Q CP
	2	14124	29' - 4" OD SCH 40 Alum K CP
	30	14266	8' - 2" OD Alum SP
Option B	4	14122-CH	25' - 4" OD SCH 40 Cherry Finish Q CP
	2	14124-CH	29' - 4" OD SCH 40 Cherry Finish K CP
	30	14266-CH	8' - 2" OD Cherry Finish SP
Option C	4	14122-KP	25' - 4" OD SCH 40 Pine Finish Q CP
	2	14124-KP	29' - 4" OD SCH 40 Pine Finish K CP
	30	14266-KP	8' - 2" OD Pine Finish SP
Standard	34	14864	2" Heavy Duty Ratchets
	68	15227-P	1"x42" Dbl Headed Stakes
Optional	1	16428	Squaring Jig for 66' Stillwater

Fred's Standard  
66'x103' Double Pole  
Stillwater A-2

PROPRIETARY INFORMATION  
THE DATA AND DETAILS SHOWN ON THIS PAGE ARE THE  
SOLE PROPERTY OF FRED'S TENTS & CANOPIES. IT MAY  
NOT BE USED, DISCLOSED, OR DUPLICATED IN ANY WAY.

FRED'S TENTS & CANOPIES

Waterford, NY 12188

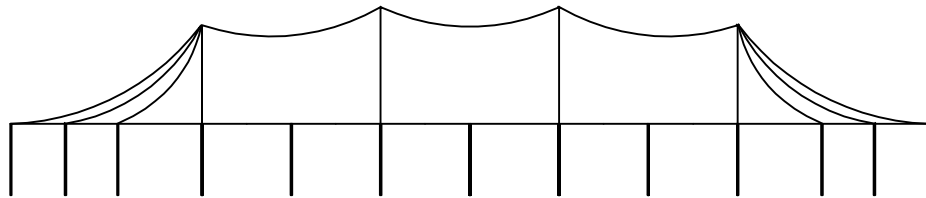
www.wemaketents.com • 518.233.8368

66x103 SW DP PL  
A2

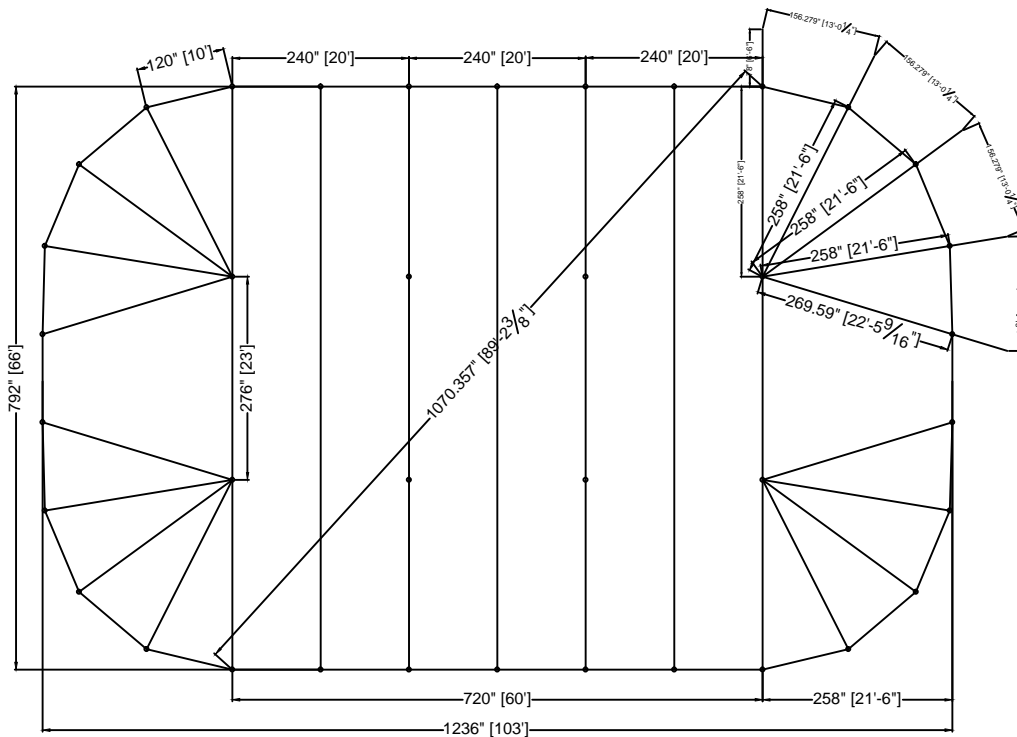
DRAWN BY: MO APP. BY: TV REV: 00 DATE: 03-18-15

SALES DWG

# Stillwater 66'x103' DP



**B-2**



Std/Opt	Qty	Part#	Description
Standard	2	20434	66' Q-End
	3	20435	66'x 20' QQ Mid
Option A	8	14122	25' - 4" OD SCH 40 Alum Q CP
	30	14266	8' - 2" OD Alum SP
Option B	8	14122-CH	25' - 4" OD SCH 40 Cherry Finish Q CP
	30	14266-CH	8' - 2" OD Cherry Finish SP
Option C	8	14122-KP	25' - 4" OD SCH 40 Pine Finish Q CP
	30	14266-KP	8' - 2" OD Pine Finish SP
Standard	34	14864	2" Heavy Duty Ratchets
	68	15227-P	1"x42" Dbl Headed Stakes
Optional	1	16428	Squaring Jig for 66' Stillwater

**Fred's Standard  
66'x103' Double Pole  
Stillwater B-2**

**PROPRIETARY INFORMATION**  
THE DATA AND DETAILS SHOWN ON THIS PAGE ARE THE  
SOLE PROPERTY OF FRED'S TENTS & CANOPIES. IT MAY  
NOT BE USED, DISCLOSED, OR DUPLICATED IN ANY WAY.

**FRED'S TENTS & CANOPIES**

Waterford, NY 12188  
www.wemaketents.com • 518.233.8368

66x103 SW DP PL  
B2

DRAWN BY: MO APP. BY: TV REV: 00 DATE: 03-18-15

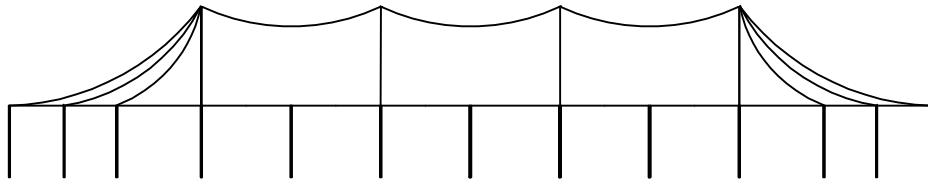
SALES DWG

ITEM # Fabric: 20434/20435

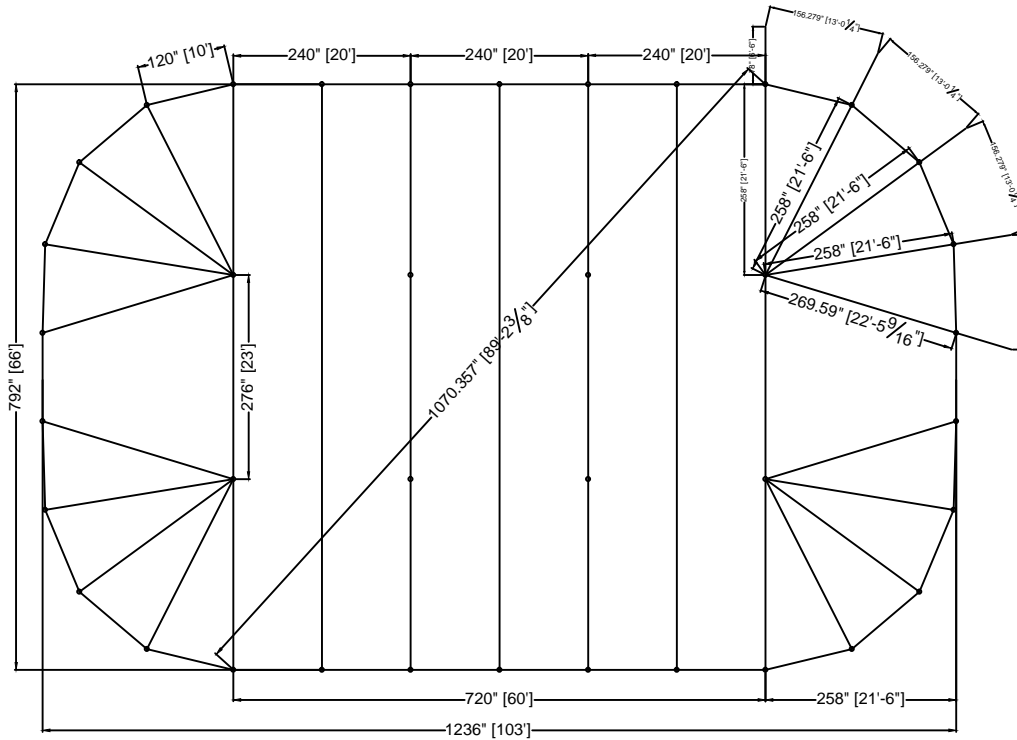
Pole Package: A, B, or C

Stakes & Ratchets: 14864 15227-P

# Stillwater 66'x103' DP QQ



B-2



Std/Opt	Qty	Part#	Description
Standard	2	20434	66' Q-End
	3	20435	66'x 20' QQ Mid
Option A	8	14122	25' - 4" OD SCH 40 Alum Q CP
	30	14266	8' - 2" OD Alum SP
Option B	8	14122-CH	25' - 4" OD SCH 40 Cherry Finish Q CP
	30	14266-CH	8' - 2" OD Cherry Finish SP
Option C	8	14122-KP	25' - 4" OD SCH 40 Pine Finish Q CP
	30	14266-KP	8' - 2" OD Pine Finish SP
Standard	34	14864	2" Heavy Duty Ratchets
	68	15227-P	1"x42" Dbl Headed Stakes
Optional	1	16428	Squaring Jig for 66' Stillwater

Fred's Standard  
66'x103' Double Pole  
Stillwater B-2-QQ

PROPRIETARY INFORMATION  
THE DATA AND DETAILS SHOWN ON THIS PAGE ARE THE  
SOLE PROPERTY OF FRED'S TENTS & CANOPIES. IT MAY  
NOT BE USED, DISCLOSED, OR DUPLICATED IN ANY WAY.

FRED'S TENTS & CANOPIES

Waterford, NY 12188  
www.wemaketents.com • 518.233.8368

66x103 SW DP PL  
B2

DRAWN BY: MO APP. BY: TV REV: 00 DATE: 08-23-17

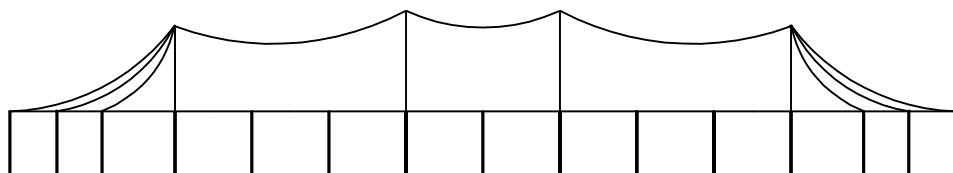
SALES DWG

ITEM # Fabric: 20434/20437/20439

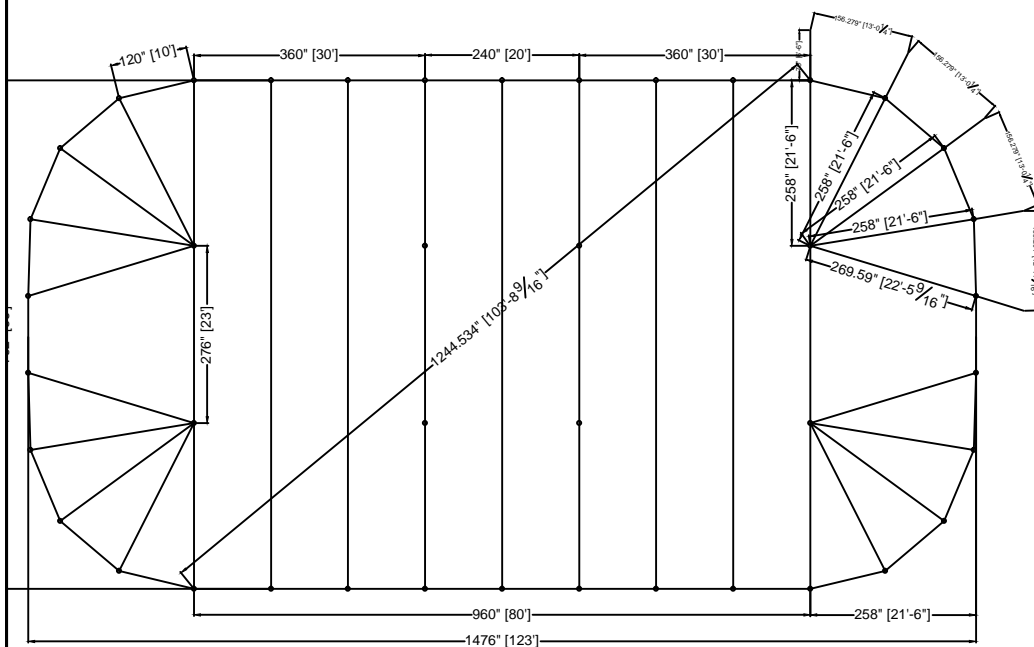
Pole Package: A, B, or C

Stakes & Ratchets: 14864 15227-P

# Stillwater 66'x123' DP



A-3



Std/Opt	Qty	Part#	Description
Standard	2	20434	66' Q-End
	1	20437	66'x 20' KK Mid
	2	20439	66'x 30' QK Mid
Option A	4	14122	25' - 4" OD SCH 40 Alum Q CP
	4	14124	29' - 4" OD SCH 40 Alum K CP
	34	14266	8' - 2" OD Alum SP
Option B	4	14122-CH	25' - 4" OD SCH 40 Cherry Finish Q CP
	4	14124-CH	29' - 4" OD SCH 40 Cherry Finish K CP
	34	14266-CH	8' - 2" OD Cherry Finish SP
Option C	4	14122-KP	25' - 4" OD SCH 40 Pine Finish Q CP
	4	14124-KP	29' - 4" OD SCH 40 Pine Finish K CP
	34	14266-KP	8' - 2" OD Pine Finish SP
Standard	38	14864	2" Heavy Duty Ratchets
12348	76	15227-P	1"x42" Dbl Headed Stakes
Optional	1	16428	Squaring Jig for 66' Stillwater

Fred's Standard  
66'x123' Double Pole  
Stillwater A-3

PROPRIETARY INFORMATION  
THE DATA AND DETAILS SHOWN ON THIS PAGE ARE THE  
SOLE PROPERTY OF FRED'S TENTS & CANOPIES. IT MAY  
NOT BE USED, DISCLOSED, OR DUPLICATED IN ANY WAY.

FRED'S TENTS & CANOPIES

Waterford, NY 12188

www.wemaketents.com • 518.233.8368

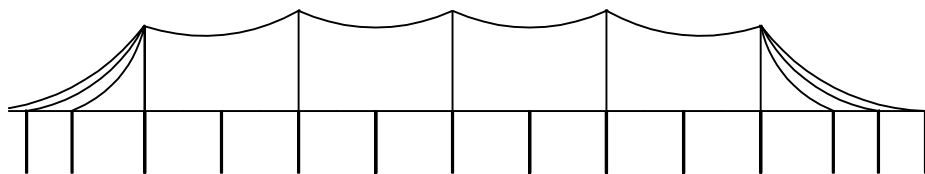
66x123 SW DP PL  
A3

DRAWN BY: MO APP. BY: TV REV: 00 DATE: 03-18-15

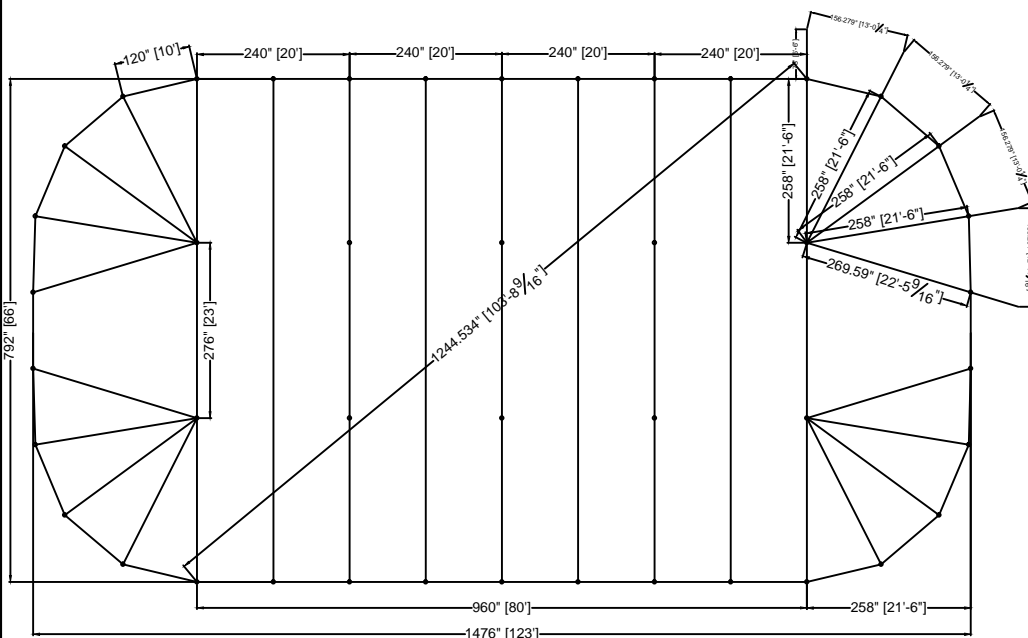
SALES DWG



# Stillwater 66'x123' DP



B-3



Std/Opt	Qty	Part#	Description
Standard	2	20434	66' Q-End
	2	20436	66'x 20' QK Mid
	2	20437	66'x 20' KK Mid
Option A	4	14122	25' - 4" OD SCH 40 Alum Q CP
	6	14124	29' - 4" OD SCH 40 Alum K CP
	34	14266	8' - 2" OD Alum SP
Option B	4	14122-CH	25' - 4" OD SCH 40 Cherry Finish Q CP
	6	14124-CH	29' - 4" OD SCH 40 Cherry Finish K CP
	34	14266-CH	8' - 2" OD Cherry Finish SP
Option C	4	14122-KP	25' - 4" OD SCH 40 Pine Finish Q CP
	6	14124-KP	29' - 4" OD SCH 40 Pine Finish K CP
	34	14266-KP	8' - 2" OD Pine Finish SP
Standard	38	14864	2" Heavy Duty Ratchets
	12348	76	15227-P
Optional	1	16428	Squaring Jig for 66' Stillwater

Fred's Standard  
66'x123' Double Pole  
Stillwater B-3

PROPRIETARY INFORMATION  
THE DATA AND DETAILS SHOWN ON THIS PAGE ARE THE  
SOLE PROPERTY OF FRED'S TENTS & CANOPIES. IT MAY  
NOT BE USED, DISCLOSED, OR DUPLICATED IN ANY WAY.

FRED'S TENTS & CANOPIES

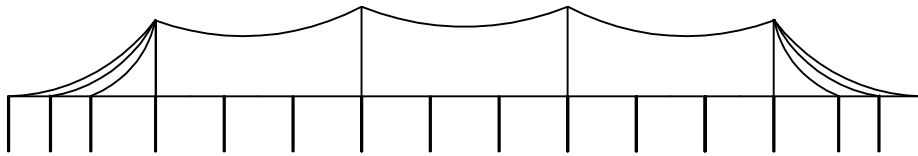
Waterford, NY 12188  
www.wemaketents.com • 518.233.8368

66x123 SW DP PL  
B3

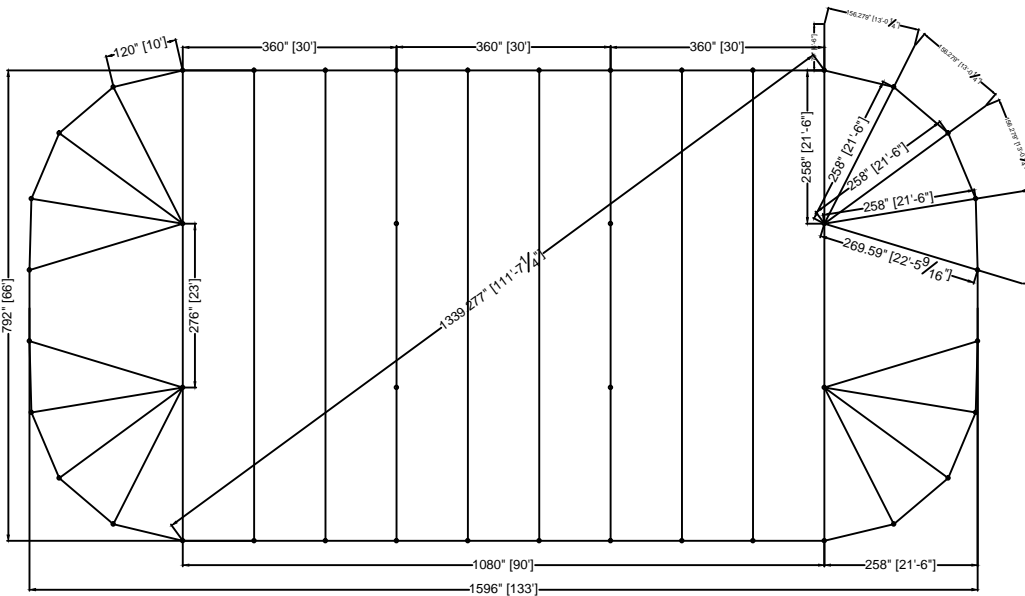
DRAWN BY: MO APP. BY: TV REV: 00 DATE: 03-18-15

SALES DWG

# Stillwater 66'x133' DP



A-4



Std/Opt	Qty	Part#	Description
Standard	2	20434	66' Q-End
	2	20439	66'x 30' QK Mid
	1	20440	66'x 30' KK Mid
Option A	4	14122	25' - 4" OD SCH 40 Alum Q CP
	4	14124	29' - 4" OD SCH 40 Alum K CP
	36	14266	8' - 2" OD Alum SP
Option B	4	14122-CH	25' - 4" OD SCH 40 Cherry Finish Q CP
	4	14124-CH	29' - 4" OD SCH 40 Cherry Finish K CP
	36	14266-CH	8' - 2" OD Cherry Finish SP
Option C	4	14122-KP	25' - 4" OD SCH 40 Pine Finish Q CP
	4	14124-KP	29' - 4" OD SCH 40 Pine Finish K CP
	36	14266-KP	8' - 2" OD Pine Finish SP
Standard	40	14864	2" Heavy Duty Ratchets
12348	80	15227-P	1"x42" Dbl Headed Stakes
Optional	1	16428	Squaring Jig for 66' Stillwater

Fred's Standard  
66'x133' Double Pole  
Stillwater A-4

**PROPRIETARY INFORMATION**  
THE DATA AND DETAILS SHOWN ON THIS PAGE ARE THE  
SOLE PROPERTY OF FRED'S TENTS & CANOPIES. IT MAY  
NOT BE USED, DISCLOSED, OR DUPLICATED IN ANY WAY.

**FRED'S TENTS & CANOPIES**

Waterford, NY 12188  
www.wemaketents.com • 518.233.8368

66x133 SW DP PL

DRAWN BY: MO	APP. BY: TV	REV: 00	DATE: 03-18-15
--------------	-------------	---------	----------------

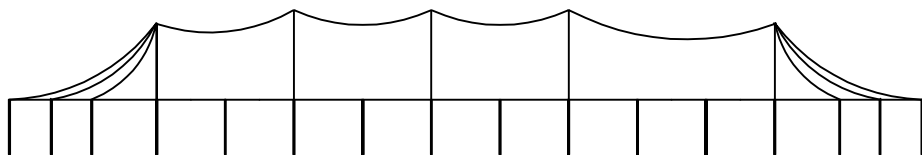
SALES DWG

ITEM # Fabric: 20434/20436/20437/20439

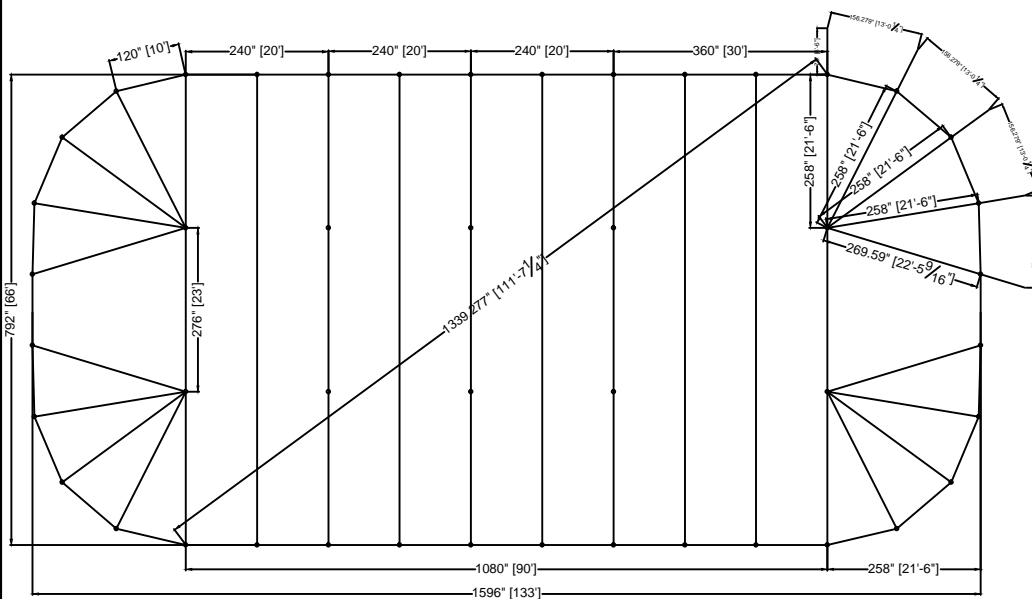
Pole Package: A, B, or C

Stakes & Ratchets: 14864 15227-P

# Stillwater 66'x133' DP



B-4



Std/Opt	Qty	Part#	Description
Standard	2	20434	66' Q-End
	1	20436	66'x 20' QK Mid
	2	20437	66'x 20' KK Mid
	1	20439	66'x 30' QK Mid
Option A	4	14122	25' - 4" OD SCH 40 Alum Q CP
	6	14124	29' - 4" OD SCH 40 Alum K CP
	36	14266	8' - 2" OD Alum SP
Option B	4	14122-CH	25' - 4" OD SCH 40 Cherry Finish Q CP
	6	14124-CH	29' - 4" OD SCH 40 Cherry Finish K CP
	36	14266-CH	8' - 2" OD Cherry Finish SP
Option C	4	14122-KP	25' - 4" OD SCH 40 Pine Finish Q CP
	6	14124-KP	29' - 4" OD SCH 40 Pine Finish K CP
	36	14266-KP	8' - 2" OD Pine Finish SP
Standard	40	14864	2" Heavy Duty Ratchets
12348	80	15227-P	1"x42" Dbl Headed Stakes
Optional	1	16428	Squaring Jig for 66' Stillwater

Fred's Standard  
66'x133' Double Pole  
Stillwater B-4

PROPRIETARY INFORMATION  
THE DATA AND DETAILS SHOWN ON THIS PAGE ARE THE  
SOLE PROPERTY OF FRED'S TENTS & CANOPIES. IT MAY  
NOT BE USED, DISCLOSED, OR DUPLICATED IN ANY WAY.

FRED'S TENTS & CANOPIES

Waterford, NY 12188  
www.wemaketents.com • 518.233.8368

66x133 SW DP PL

DRAWN BY: MO APP. BY: TV REV: 00 DATE: 03-18-15

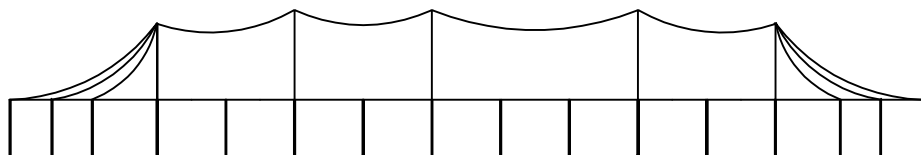
SALES DWG

ITEM # Fabric: 20434/20436/20437/20440

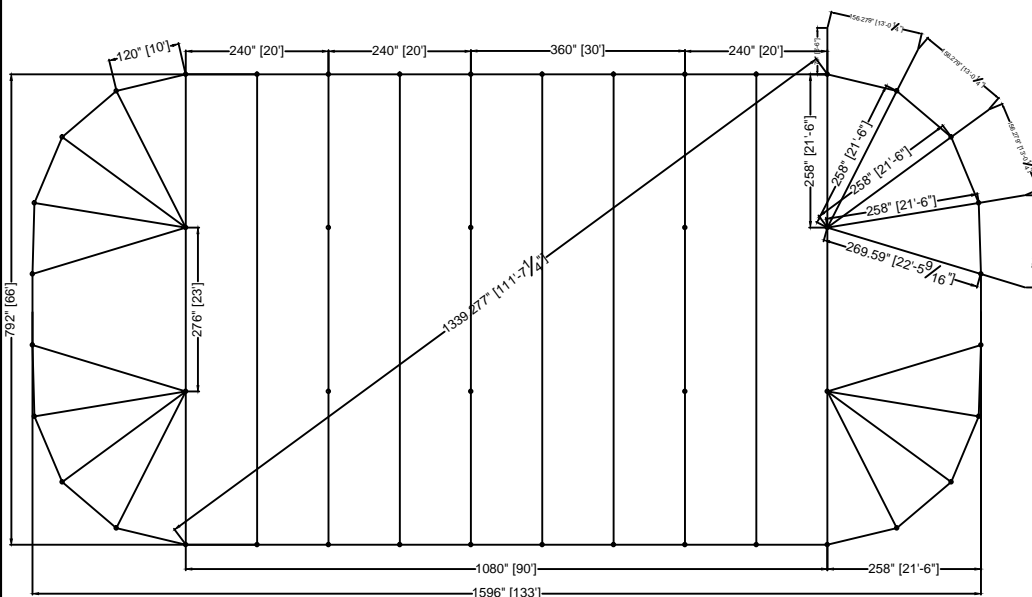
Pole Package: A, B, or C

Stakes & Ratchets: 14864 15227-P

# Stillwater 66'x133' DP



C-4



Std/Opt	Qty	Part#	Description
Standard	2	20434	66' Q-End
	2	20436	66'x 20' QK Mid
	1	20437	66'x 20' KK Mid
	1	20440	66'x 30' KK Mid
Option A	4	14122	25' - 4" OD SCH 40 Alum Q CP
	6	14124	29' - 4" OD SCH 40 Alum K CP
	36	14266	8' - 2" OD Alum SP
Option B	4	14122-CH	25' - 4" OD SCH 40 Cherry Finish Q CP
	6	14124-CH	29' - 4" OD SCH 40 Cherry Finish K CP
	36	14266-CH	8' - 2" OD Cherry Finish SP
Option C	4	14122-KP	25' - 4" OD SCH 40 Pine Finish Q CP
	6	14124-KP	29' - 4" OD SCH 40 Pine Finish K CP
	36	14266-KP	8' - 2" OD Pine Finish SP
Standard	40	14864	2" Heavy Duty Ratchets
12348	80	15227-P	1"x42" Dbl Headed Stakes
Optional	1	16428	Squaring Jig for 66' Stillwater

Fred's Standard  
66'x133' Double Pole  
Stillwater C-4

PROPRIETARY INFORMATION  
THE DATA AND DETAILS SHOWN ON THIS PAGE ARE THE  
SOLE PROPERTY OF FRED'S TENTS & CANOPIES. IT MAY  
NOT BE USED, DISCLOSED, OR DUPLICATED IN ANY WAY.

FRED'S TENTS & CANOPIES

Waterford, NY 12188

www.wemaketents.com • 518.233.8368

66x133 SW DP PL

DRAWN BY: MO APP. BY: TV REV: 00 DATE: 03-18-15

SALES DWG