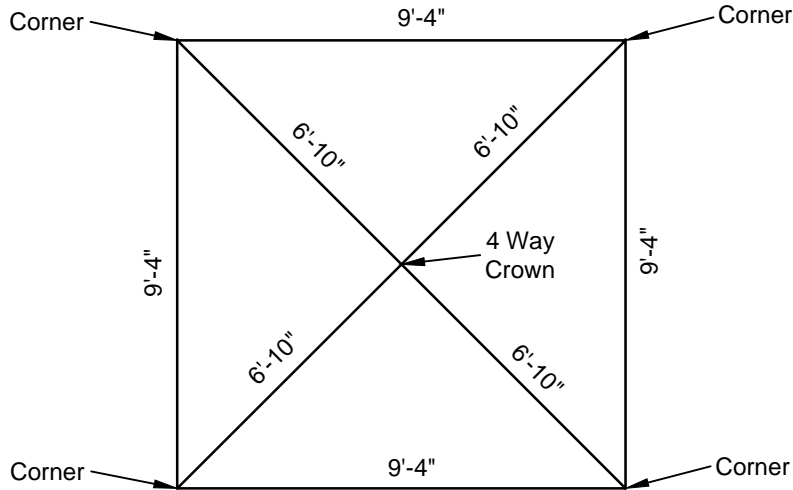
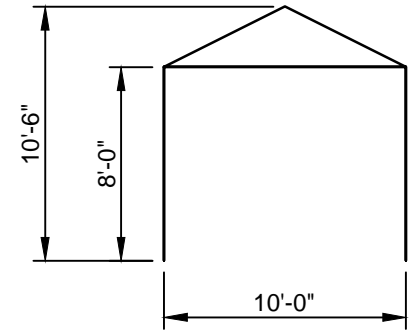


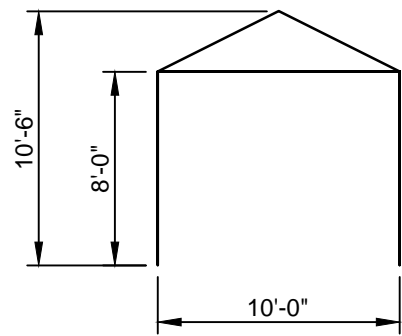
ITEM # 11465



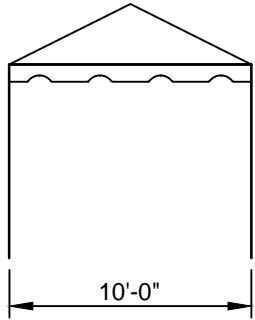
Frame Top View



Frame End View



Frame Side View



Fabric View

QTY	SIZE	Item #	PART	COLOR
4		15650	Corner w/ Eye Bolt	
1		15639	4 Way Crown	
4		15678	Offset Foot Pad	
24		15566	Pin & Bails	
4	6'-10"	15162	Hip Rafter	Green
4	9'-4"	15176	Spreader	White
4	7'-8"	15171	Leg	Black
4	Ø3/8"x16'	15933	Rope	
4	1"x30"	15224	Double Head Stake	

FM2 10x10 CPB

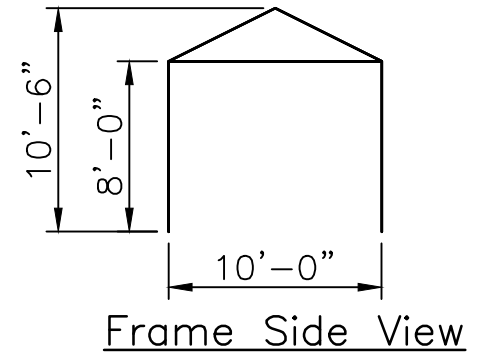
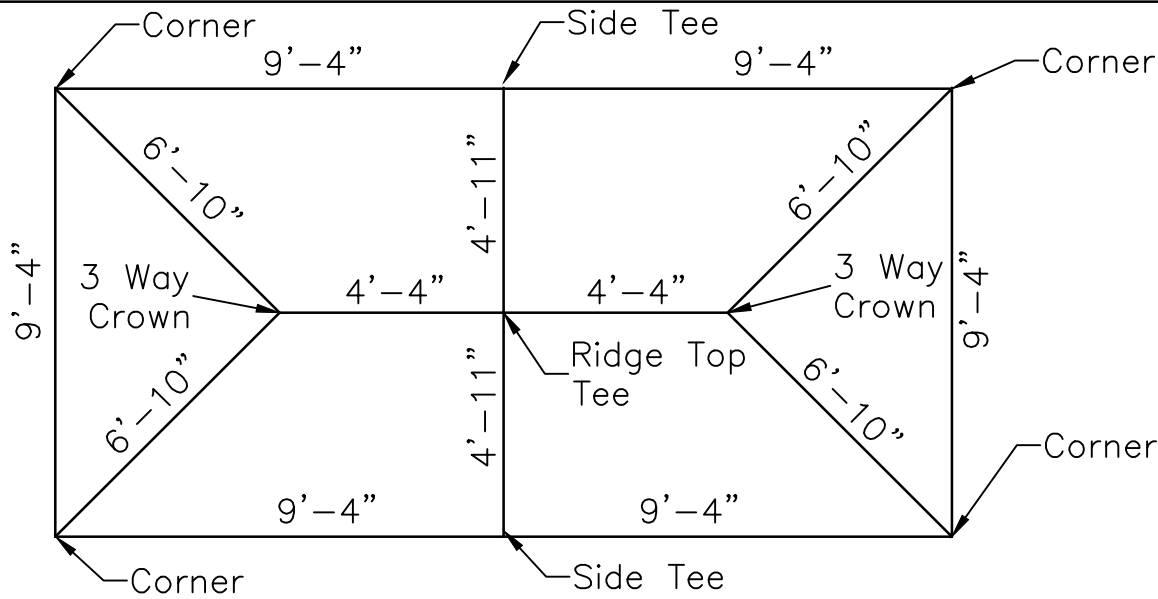
Fred's Standard
10x10 Center Peak Buckle

PROPRIETARY INFORMATION
THE DATA AND DETAILS SHOWN ON THIS PAGE ARE THE
SOLE PROPERTY OF FRED'S TENTS & CANOPIES. IT MAY
NOT BE USED, DISCLOSED, OR DUPLICATED IN ANY WAY.

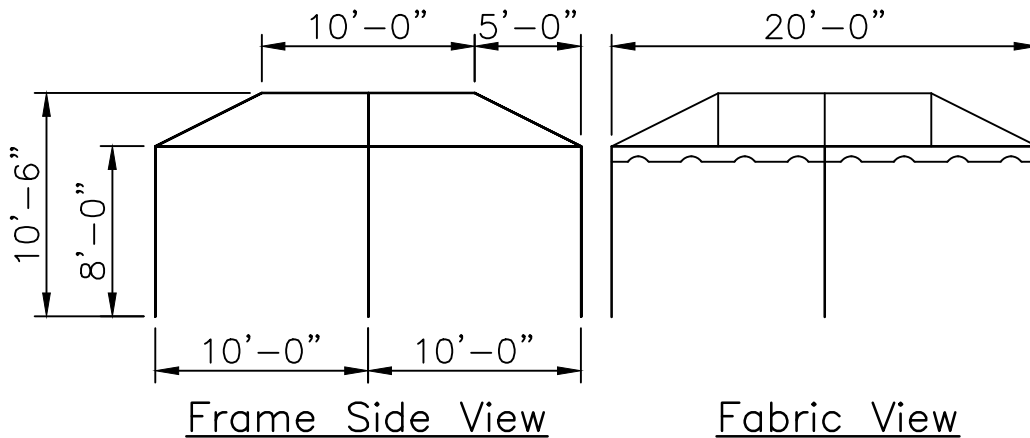
FRED'S TENTS & CANOPIES

Waterford, NY 12188
www.wemaketents.com • 518.233.8368

DRAWN BY: MO	APP. BY: TV	APP. BY:	DATE: 8.3.16	LAST REV BY:	ASSEMBLY DWG
--------------	-------------	----------	--------------	--------------	--------------



Frame Top View



Frame Side View

Fabric View

QTY	SIZE	ITEM #	PART	COLOR
4		15650	Corner w/ Eye Bolt	
2		15686	Side Tee w/ Eye Bolt	
1		15683	Ridge Top Tee	
2		15637	3 Way Crown	
6		15678	Offset Foot Pad	
40		15566	Pin & Bails	
4	6'-10"	15162	Hip Rafter	Green
2	4'-11"	15156	Rafter	Blue
6	9'-4"	15176	Spreader	White
2	4'-4"	15158	Ridgetop Spreader	Yellow
6	7'-8"	15171	Leg	Black
6	Ø3/8"x16	15933	Rope	
6	1"x30"	15224	Double Head Stake	

FM2 10x20 10S CPB

Fred's Standard
10x20 10' Spacing
Center Peak Buckle

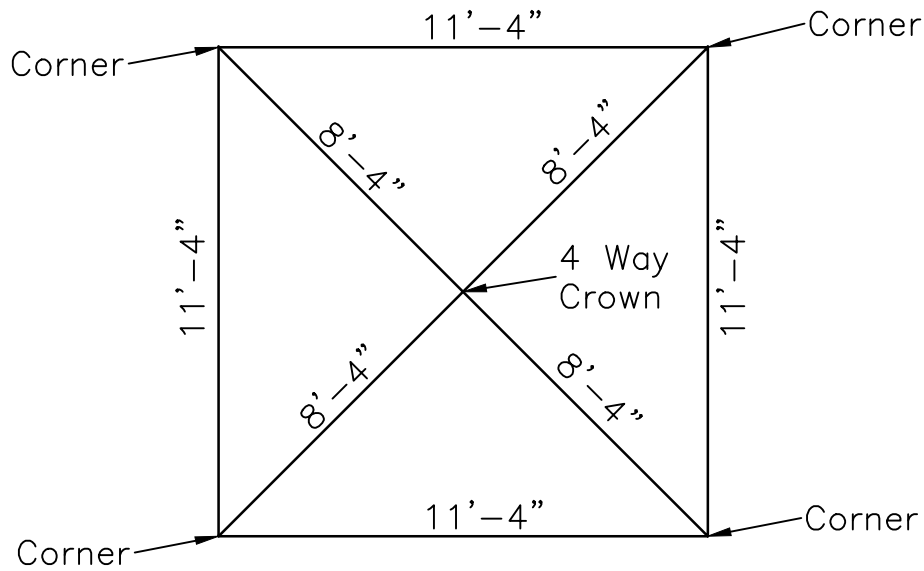
PROPRIETARY INFORMATION

THE DATA AND DETAILS SHOWN ON THIS PAGE ARE THE SOLE PROPERTY OF FRED'S TENTS & CANOPIES. IT MAY NOT BE USED, DISCLOSED, OR DUPLICATED IN ANY WAY.

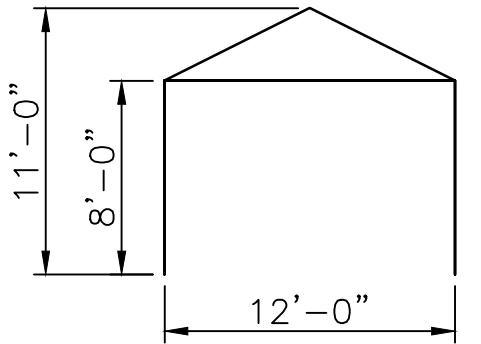
FRED'S TENTS & CANOPIES

Waterford, NY 12188
www.wemaketents.com • 518.233.8368

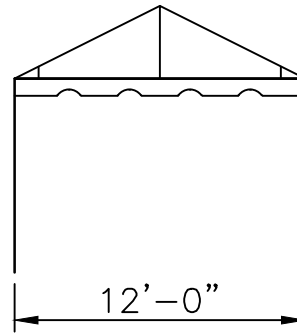
DRAWN BY: AD	APP. BY: FT	APP. BY: TV	DATE: 10.11.10	LAST REV BY:	ASSEMBLY DWG
--------------	-------------	-------------	----------------	--------------	--------------



Frame Top View



Frame Side View



Fabric View

QTY	SIZE	Item #	PART	COLOR
4		15650	Corner w/ Eye Bolt	
1		15639	4 Way Crown	
4		15678	Offset Foot Pad	
24		15566	Pin & Bails	
4	8'-4"	15173	Hip Rafter	Green
4	11'-4"	15146	Spreader	White
4	7'-8"	15171	Leg	Black
4	Ø3/8"x16'	15933	Rope	
4	1"x30"	15224	Double Head Stake	

FM2 12x12 CPB

Fred's Standard

PROPRIETARY INFORMATION

THE DATA AND DETAILS SHOWN ON THIS PAGE ARE THE SOLE PROPERTY OF FRED'S TENTS & CANOPIES. IT MAY NOT BE USED, DISCLOSED, OR DUPLICATED IN ANY WAY.

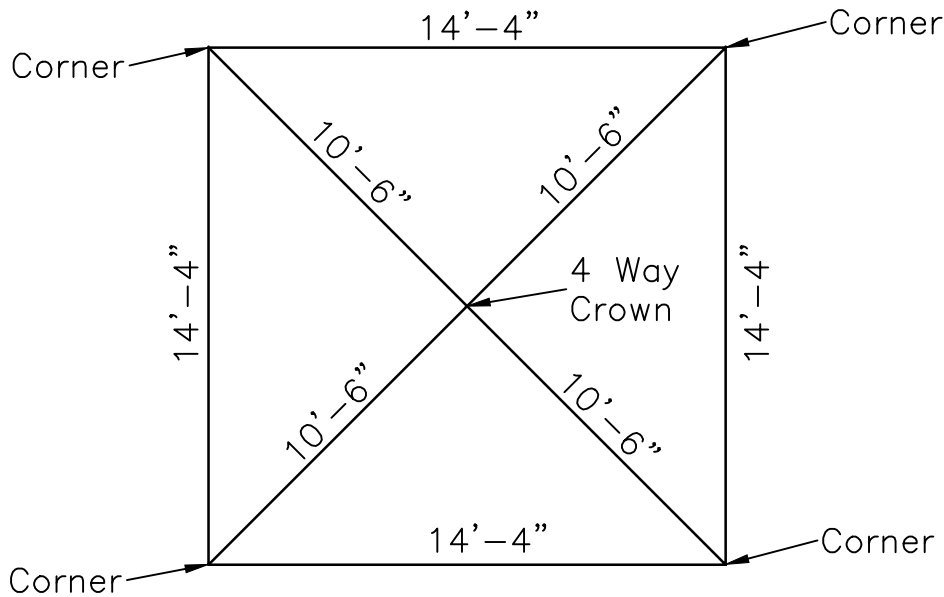
FRED'S TENTS & CANOPIES

Waterford, NY 12188

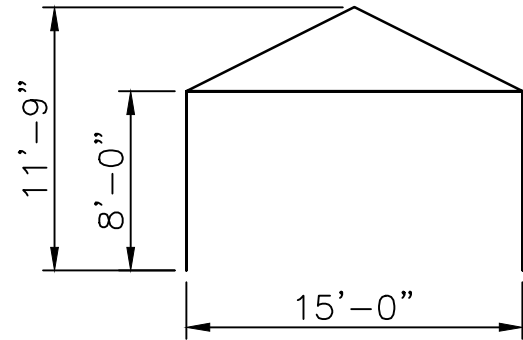
www.wemaketents.com • 518.233.8368

DRAWN BY: AD	APP. BY: FT	APP. BY: TV	DATE: 8.13.14	LAST REV BY:	ASSEMBLY DWG
--------------	-------------	-------------	---------------	--------------	--------------

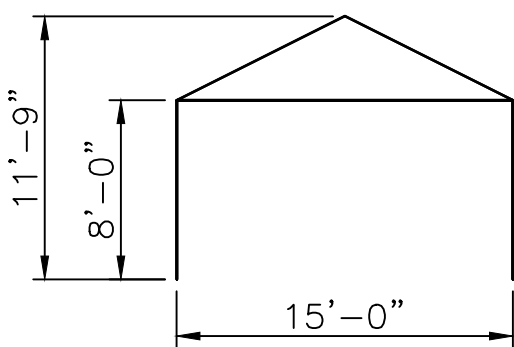
ITEM # 11481



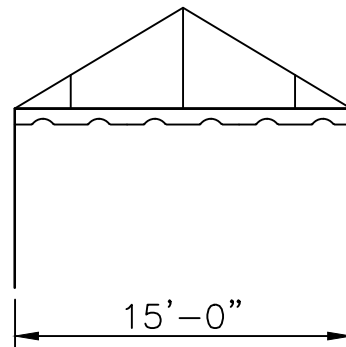
Frame Top View



Frame End View



Frame Side View



Fabric View

QTY	SIZE	Item #	PART	COLOR
4		15650	Corner w/ Eye Bolt	
1		15639	4 Way Crown	
4		15678	Offset Foot Pad	
24		15566	Pin & Bails	
4	10'-6"	15144	Hip Rafter	Green
4	14'-4"	15149	Spreader	White
4	7'-8"	15171	Leg	Black
4	Ø3/8"x16	15933	Rope	
4	1"x30"	15224	Double Head Stake	

FM2 15x15 CPB

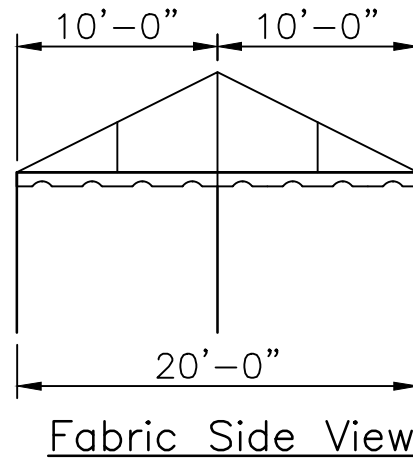
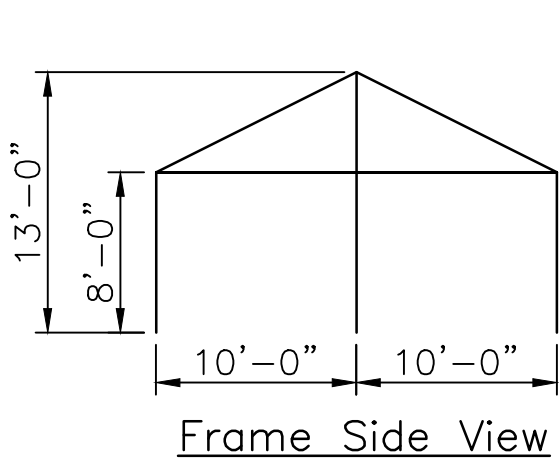
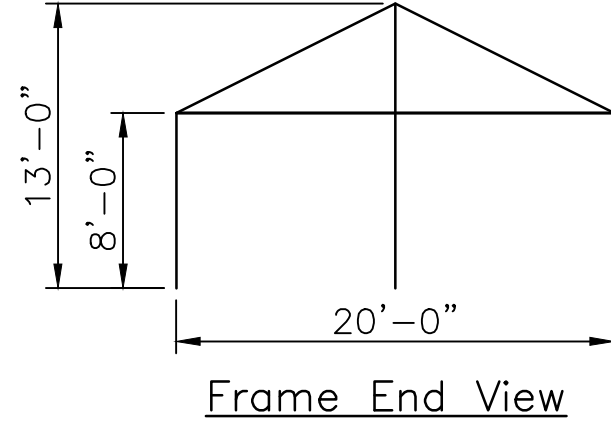
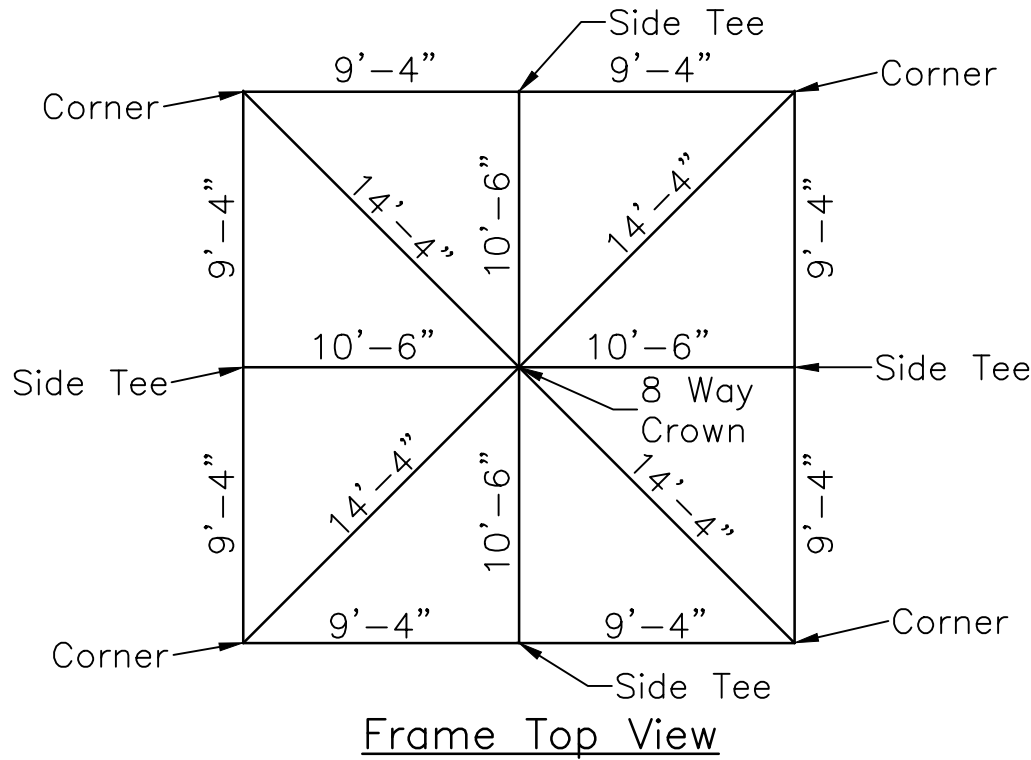
Fred's Standard
FM2 15x15
Center Peak Buckle

PROPRIETARY INFORMATION
THE DATA AND DETAILS SHOWN ON THIS PAGE ARE THE
SOLE PROPERTY OF FRED'S TENTS & CANOPIES. IT MAY
NOT BE USED, DISCLOSED, OR DUPLICATED IN ANY WAY.

FRED'S TENTS & CANOPIES

Waterford, NY 12188
www.wemaketents.com • 518.233.8368

DRAWN BY: OK	APP. BY: FT	APP. BY: TV	DATE: 10.11.10	LAST REV BY:	ASSEMBLY DWG
--------------	-------------	-------------	----------------	--------------	--------------



QTY	SIZE	Item #	PART	COLOR
4		15650	Corner w/ Eye Bolt	
1		15645	8 Way Crown	
4		15686	Side Tee w/ Eye Bolt	
8		15678	Offset Foot Pad	
48		15566	Pin & Bails	
4	14'-4"	15149	Hip Rafter	Red
4	10'-6"	15144	Rafter	Green
8	9'-4"	15176	Spreader	White
8	7'-8"	15171	Leg	Black
8	Ø1/2"	15924	Rope	
8	1"x30"	15224	Double Head Stake	

FM2 20x20 10S CPB

Fred's Standard

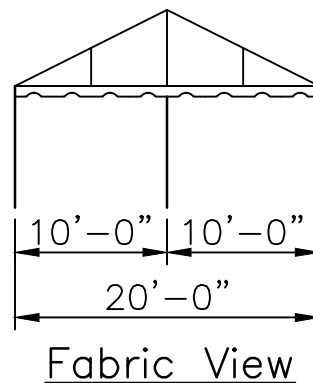
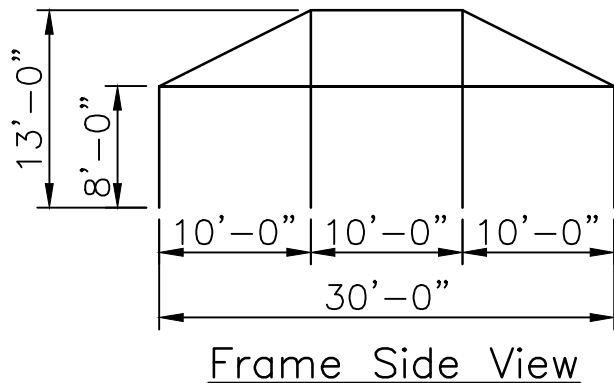
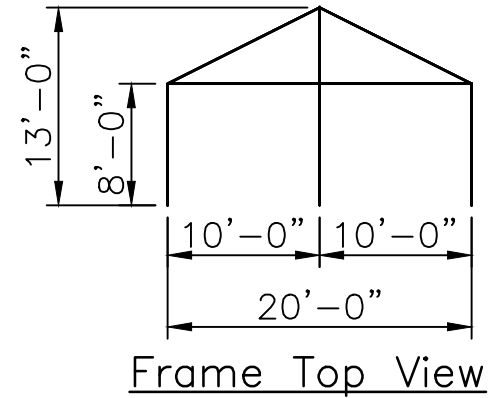
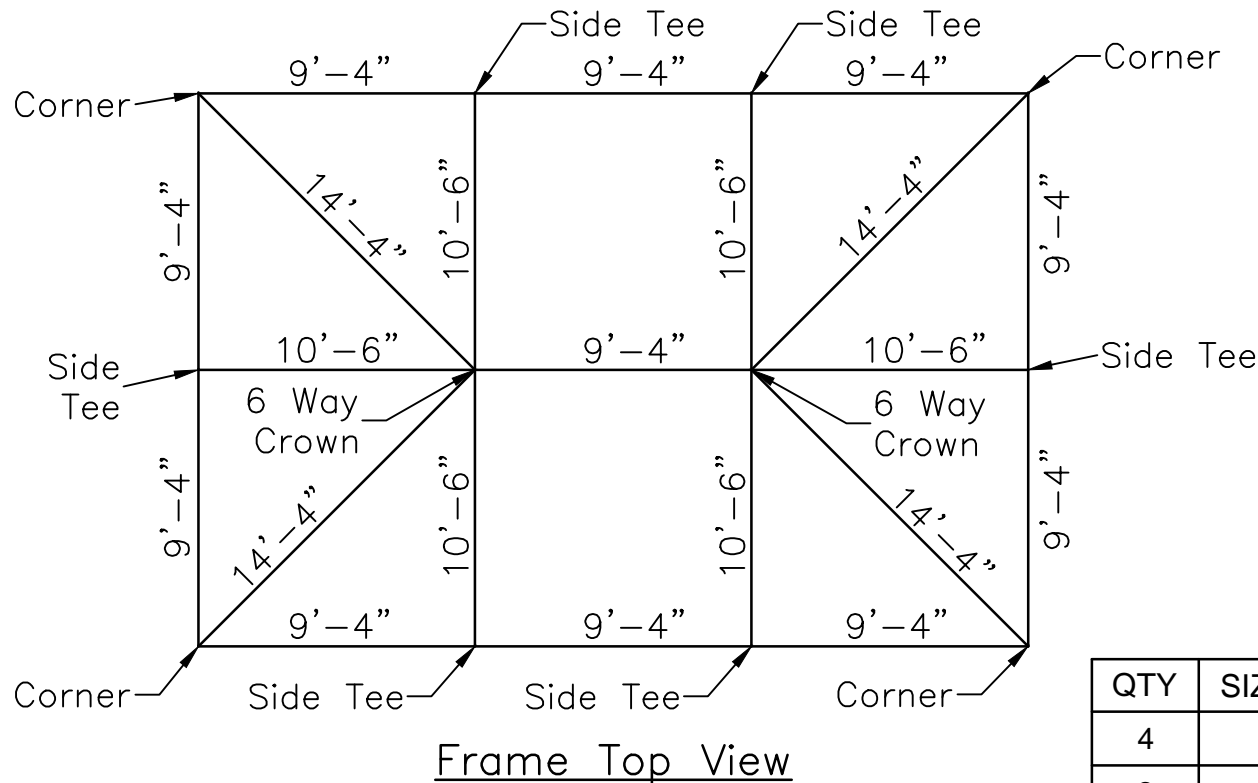
PROPRIETARY INFORMATION

THE DATA AND DETAILS SHOWN ON THIS PAGE ARE THE SOLE PROPERTY OF FRED'S TENTS & CANOPIES. IT MAY NOT BE USED, DISCLOSED, OR DUPLICATED IN ANY WAY.

FRED'S TENTS & CANOPIES

Waterford, NY 12188
www.wemaketents.com • 518.233.8368

DRAWN BY: AD	APP. BY: FT	APP. BY: TV	DATE: 7-22-14	LAST REV BY:	PARTS LIST
--------------	-------------	-------------	---------------	--------------	------------



QTY	SIZE	Item #	PART	COLOR
4		15650	Corner w/ Eye Bolt	
2		15641	6 Way Crown	
6		15686	Side Tee w/ Eye Bolt	
10		15678	Offset Foot Pad	
62		15566	Pin & Bails	
4	14'-4"	15149	Hip Rafter	Red
6	10'-6"	15144	Rafter	Green
11	9'-4"	15176	Spreader	White
10	7'-8"	15171	Leg	Black
10	Ø1/2"	15924	Rope	
10	1"x30"	15224	Double Head Stake	

M2 20x30 10S CPB

Fred's Standard

PROPRIETARY INFORMATION

THE DATA AND DETAILS SHOWN ON THIS PAGE ARE THE SOLE PROPERTY OF FRED'S TENTS & CANOPIES. IT MAY NOT BE USED, DISCLOSED, OR DUPLICATED IN ANY WAY.

FRED'S TENTS & CANOPIES

Waterford, NY 12188

www.wemaketents.com • 518.233.8368

DRAWN BY: OK

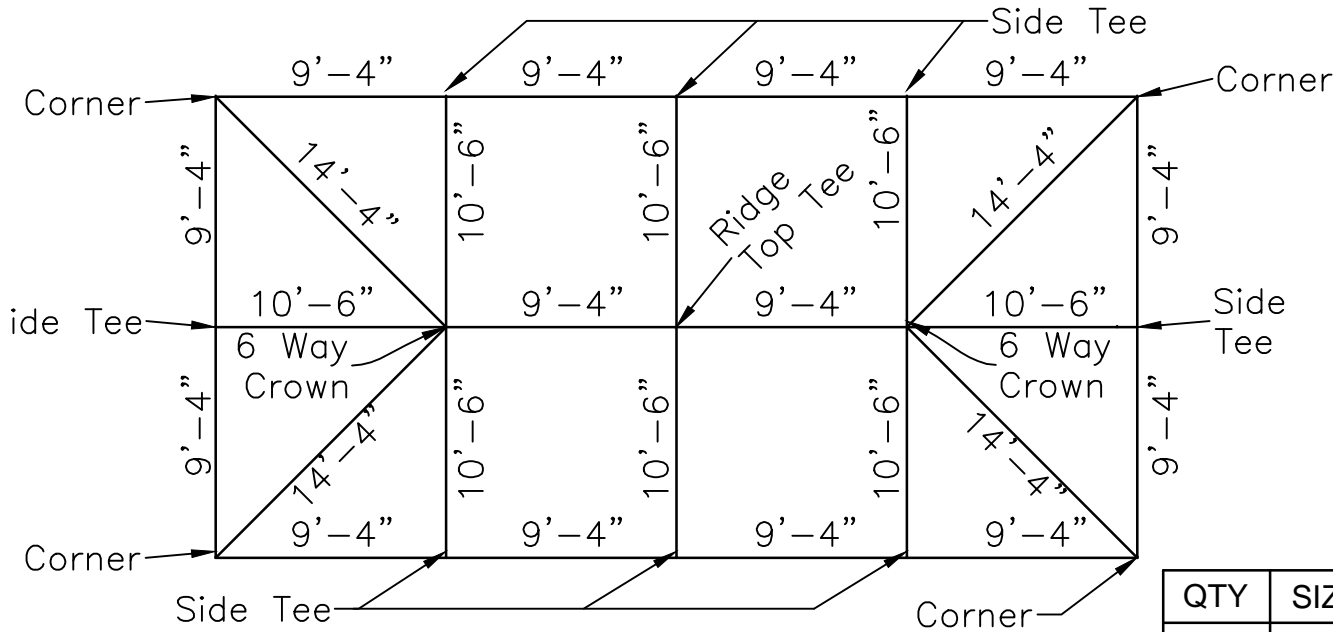
APP. BY: FT

APP. BY: TV

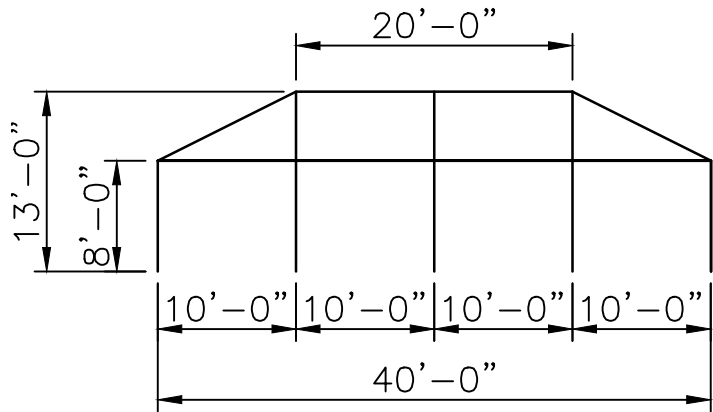
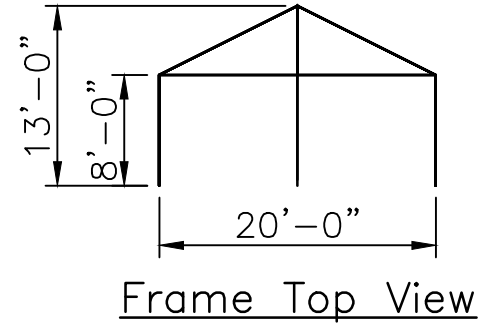
DATE: 10.11.10

LAST REV BY:

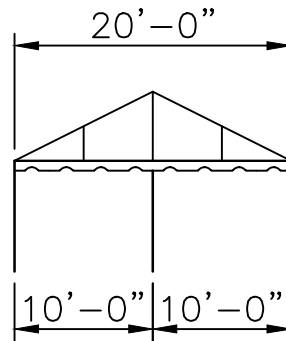
PARTS LIST



Frame Top View



Frame Side View



Fabric View

QTY	SIZE	Item #	PART	COLOR
4		15650	Corner w/ Eye Bolt	
2		15641	6 Way Crown	
1		15683	Ridge Top Tee	
8		15686	Side Tee w/ Eye Bolt	
12		15678	Offset Foot Pad	
76		15566	Pin & Bails	
4	14'-4"	15149	Hip Rafter	Red
2	9'-4"	15176	Ridge Top Rafter	White
8	10'-6"	15144	Rafter	Green
12	9'-4"	15176	Spreader	White
12	7'-8"	15171	Leg	Black
12	Ø1/2"	15924	Rope	
12	1"x30"	15224	Double Head Stake	

M2 20x40 10S CPB

Fred's Standard

PROPRIETARY INFORMATION

THE DATA AND DETAILS SHOWN ON THIS PAGE ARE THE SOLE PROPERTY OF FRED'S TENTS & CANOPIES. IT MAY NOT BE USED, DISCLOSED, OR DUPLICATED IN ANY WAY.

FRED'S TENTS & CANOPIES

Waterford, NY 12188

www.wemaketents.com • 518.233.8368

DRAWN BY: AD

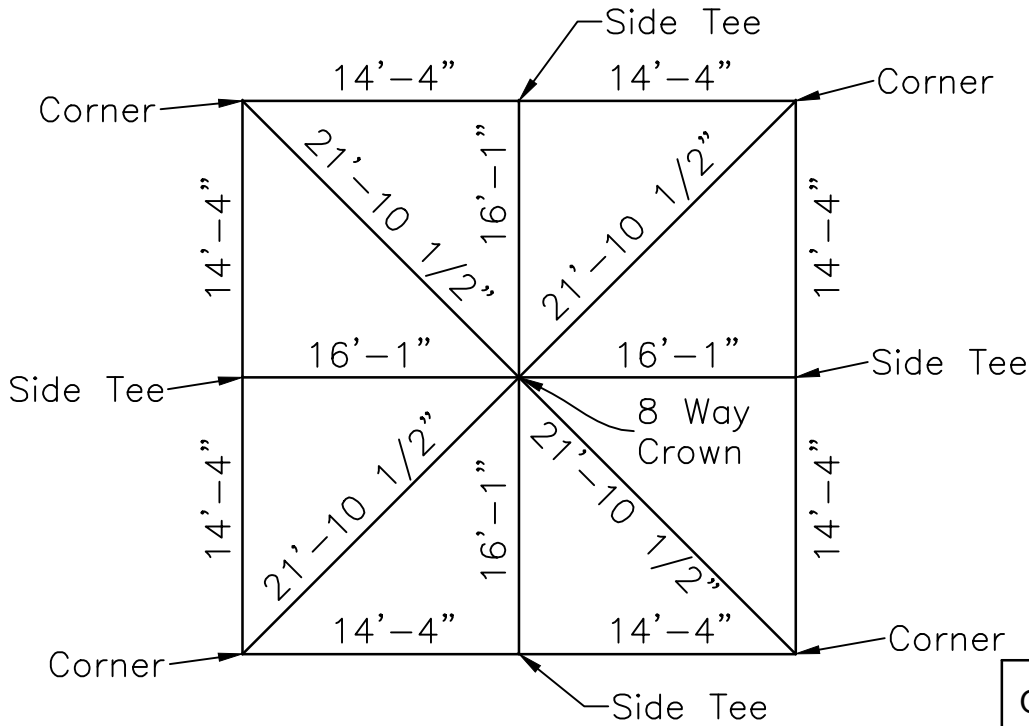
APP. BY: FT

APP. BY: TV

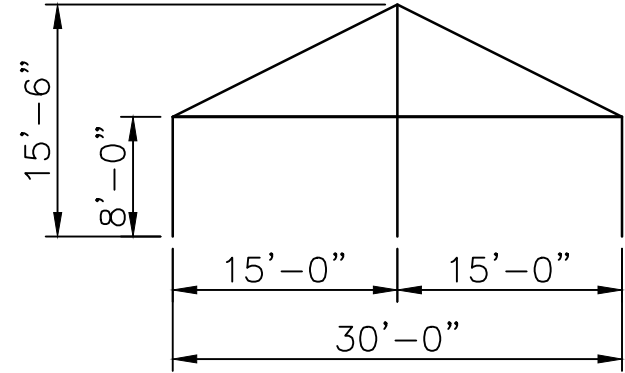
DATE: 7-22-14

LAST REV BY:

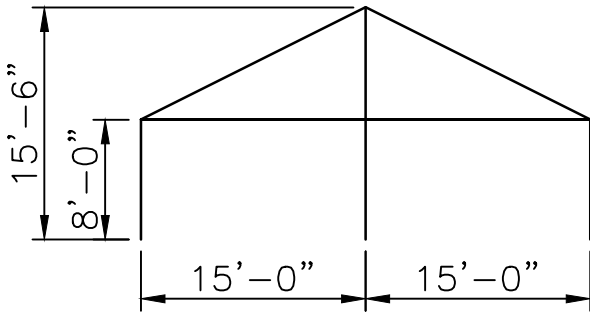
PARTS LIST



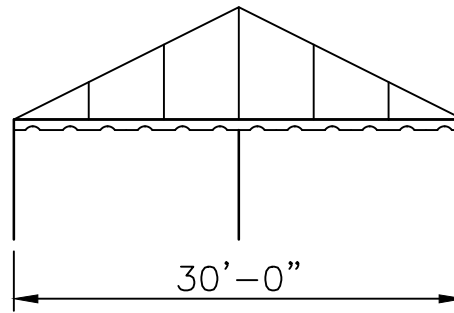
Frame Top View



Frame End View



Frame Side View



Fabric View

QTY	SIZE	Item #	PART	COLOR
4		15650	Corner w/ Eye Bolt	
1		15645	8 Way Crown	
4		15686	Side Tee w/ Eye Bolt	
8		15678	Offset Foot Pad	
48		15566	Pin & Bails	
4	21'-10 1/2"	15152	Hip Rafter	Red
4	16'-1"	15150	Rafter	Green
8	14'-4"	15149	Spreader	Red
8	7'-8"	15171	Leg	Black
12	Ø1/2"	15924	Rope	
12	1"x42"	15227	Double Head Stake	

M2 30x30 CPB

Fred's Standard

PROPRIETARY INFORMATION

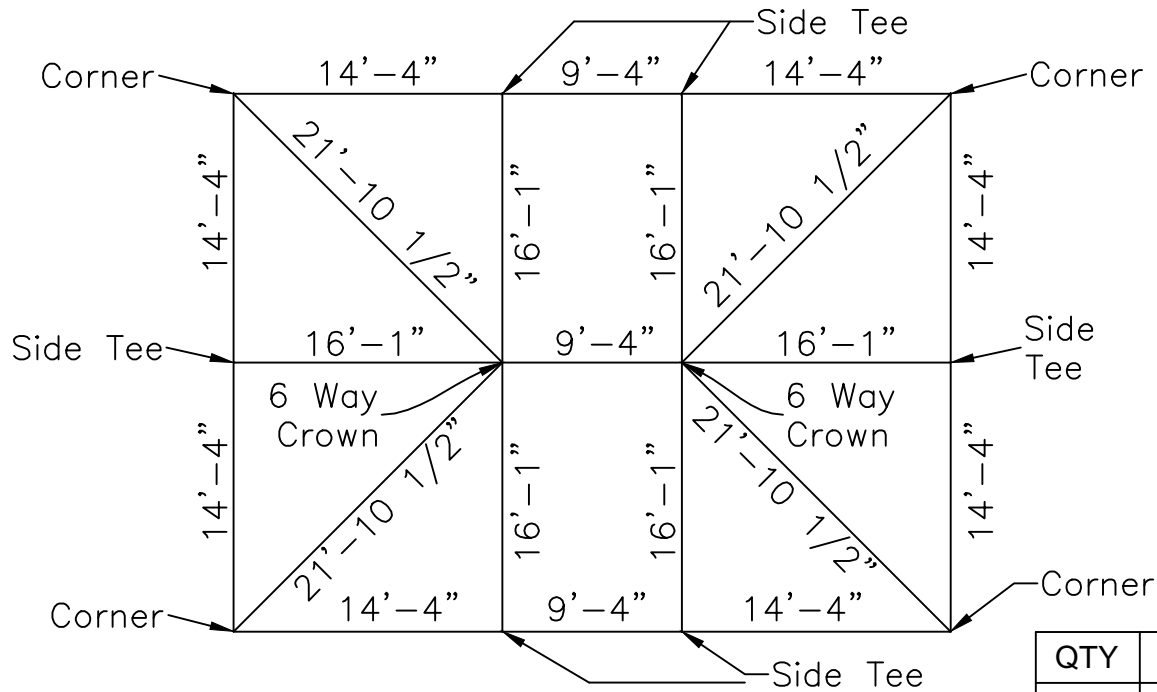
THE DATA AND DETAILS SHOWN ON THIS PAGE ARE THE SOLE PROPERTY OF FRED'S TENTS & CANOPIES. IT MAY NOT BE USED, DISCLOSED, OR DUPLICATED IN ANY WAY.

FRED'S TENTS & CANOPIES

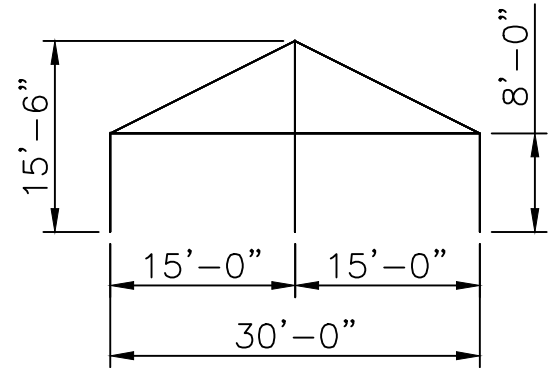
Waterford, NY 12188

www.wemaketents.com • 518.233.8368

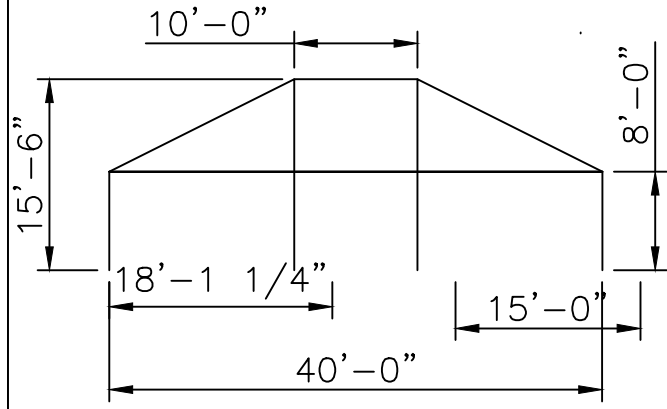
DRAWN BY: OK	APP. BY: FT	APP. BY: TV	DATE: 10.11.10	LAST REV BY:	ASSEMBLY DWG
--------------	-------------	-------------	----------------	--------------	--------------



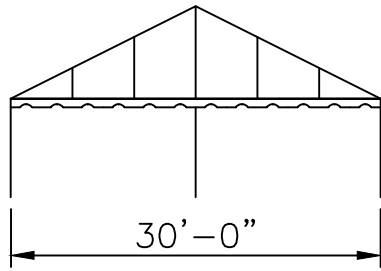
Frame Top View



Frame Top View



Frame Side View



Fabric View

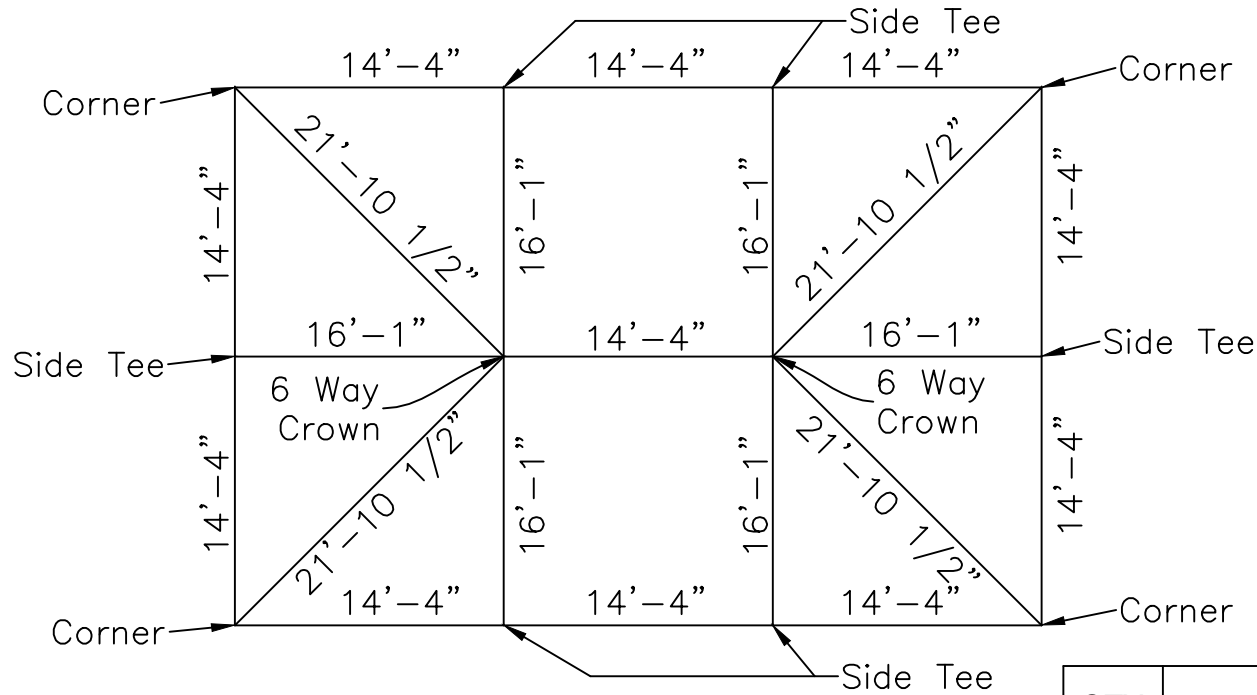
QTY	SIZE	Item #	PART	COLOR
4		15650	Corner w/ Eye Bolt	
2		15641	6 Way Crown	
6		15686	Side Tee w/ Eye Bolt	
10		15678	Offset Foot Pad	
62		15566	Pin & Bails	
4	21'-10 ¹ / ₂ "	15152	Hip Rafter	Red
6	16'-1"	15150	Rafter	Green
8	14'-4"	15149	Spreader	Red
3	9'-4"	15176	Spreader	White
10	7'-8"	15171	Leg	Black
14	Ø1/2"	15924	Rope	
14	1"x42"	15227	Double Head Stake	

Fred's Standard
FM2 30x40 15-10-15 CPB

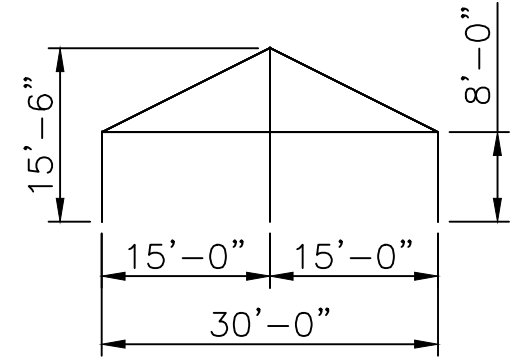
PROPRIETARY INFORMATION
THE DATA AND DETAILS SHOWN ON THIS PAGE ARE THE
SOLE PROPERTY OF FRED'S TENTS & CANOPIES. IT MAY
NOT BE USED, DISCLOSED, OR DUPLICATED IN ANY WAY.

FRED'S TENTS & CANOPIES
Waterford, NY 12188
www.wemaketents.com • 518.233.8368

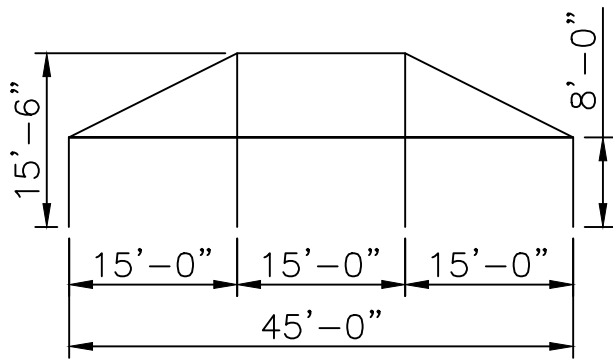
DRAWN BY: OK	APP. BY: FT	APP. BY: TV	DATE: 10.12.10	LAST REV BY:	ASSEMBLY DWG
--------------	-------------	-------------	----------------	--------------	--------------



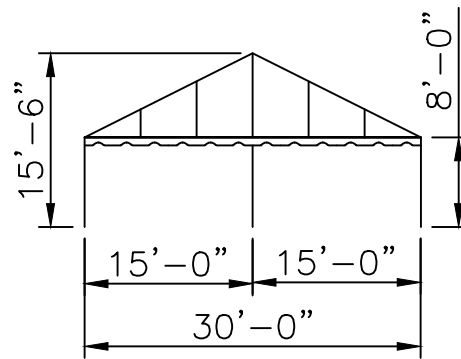
Frame Top View



Frame Side View



Frame Side View



Fabric View

QTY	SIZE	Item #	PART	COLOR
4		15650	Corner w/ Eye Bolt	
2		15641	6 Way Crown	
6		15686	Side Tee w/ Eye Bolt	
10		15678	Offset Foot Pad	
62		15566	Pin & Bails	
4	21'-10 1/2"	15152	Hip Rafter	Red
6	16'-1"	15150	Rafter	Green
11	14'-4"	15149	Spreader	Red
10	7'-8"	15171	Leg	Black
14	Ø1/2"	15924	Rope	
14	1"x42"	15227	Double Head Stake	

Fred's Standard
FM2 30x45 15S CPB

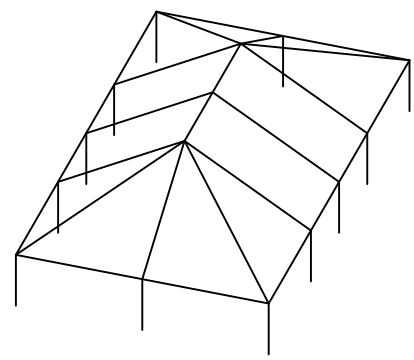
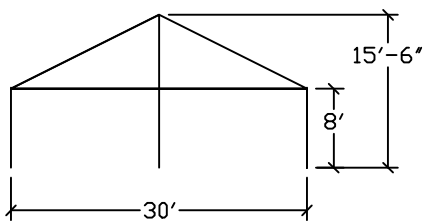
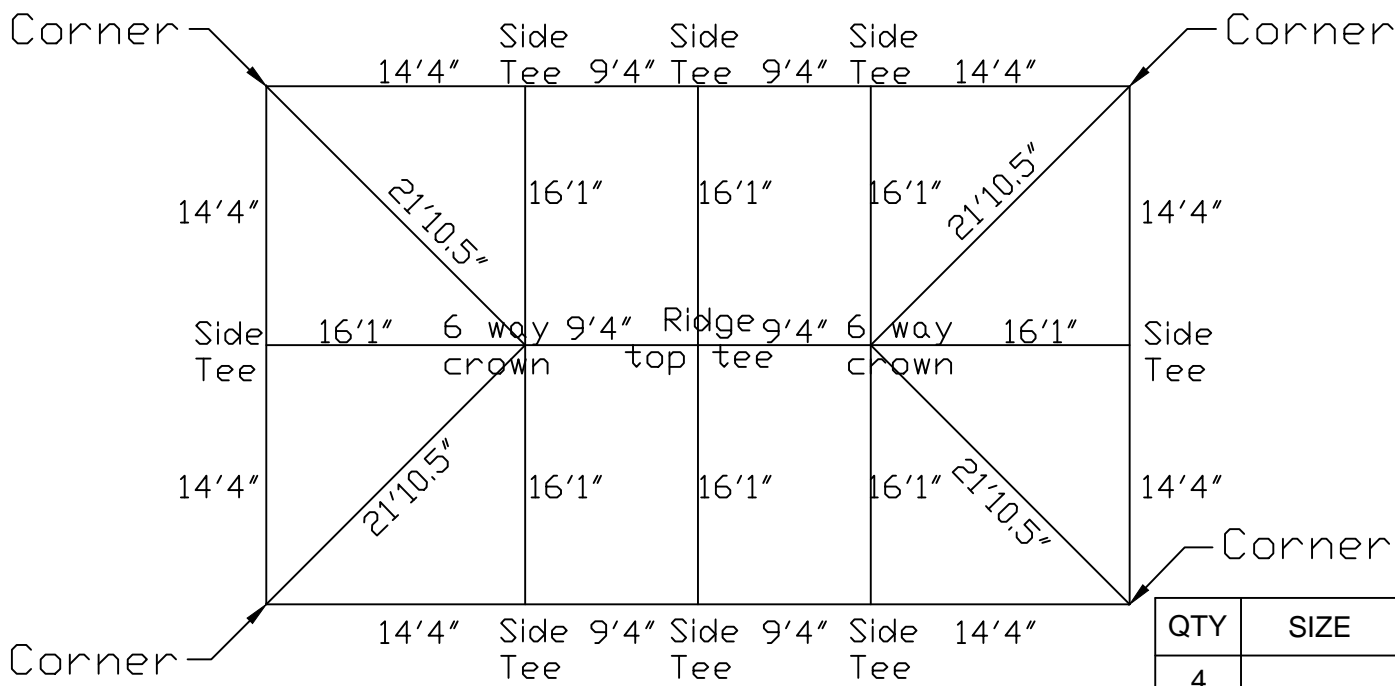
PROPRIETARY INFORMATION
THE DATA AND DETAILS SHOWN ON THIS PAGE ARE THE
SOLE PROPERTY OF FRED'S TENTS & CANOPIES. IT MAY
NOT BE USED, DISCLOSED, OR DUPLICATED IN ANY WAY.

FRED'S TENTS & CANOPIES

Waterford, NY 12188
www.wemaketents.com • 518.233.8368

DRAWN BY: OK	APP. BY: FT	APP. BY: TV	DATE: 10.11.10	LAST REV BY:	ASSEMBLY DWG
--------------	-------------	-------------	----------------	--------------	--------------

ITEM # 11501



QTY	SIZE	ITEM#	PART	COLOR
4		15650	Corner w/ Eye Bolt	
2		15641	6 Way Crown	
8		15686	Side Tee w/ Eye Bolt	
1		15683	Ridge Top Tee	
12		15678	Foot Pad w/ Holes	
76		15566	Pin and Bails	
4	21'-10 1/2"	15152	Hip Rafter	Red
8	16'-1"	15150	Rafter	Green
8	14'-4"	15149	Spreader	Red
6	9'-4"	15176	Spreader	White
12	7'8"	15171	Legs	Black
16		15924	1/2" Dia. Ropes	
16	1" x 42"	15227	Double Head Stakes	

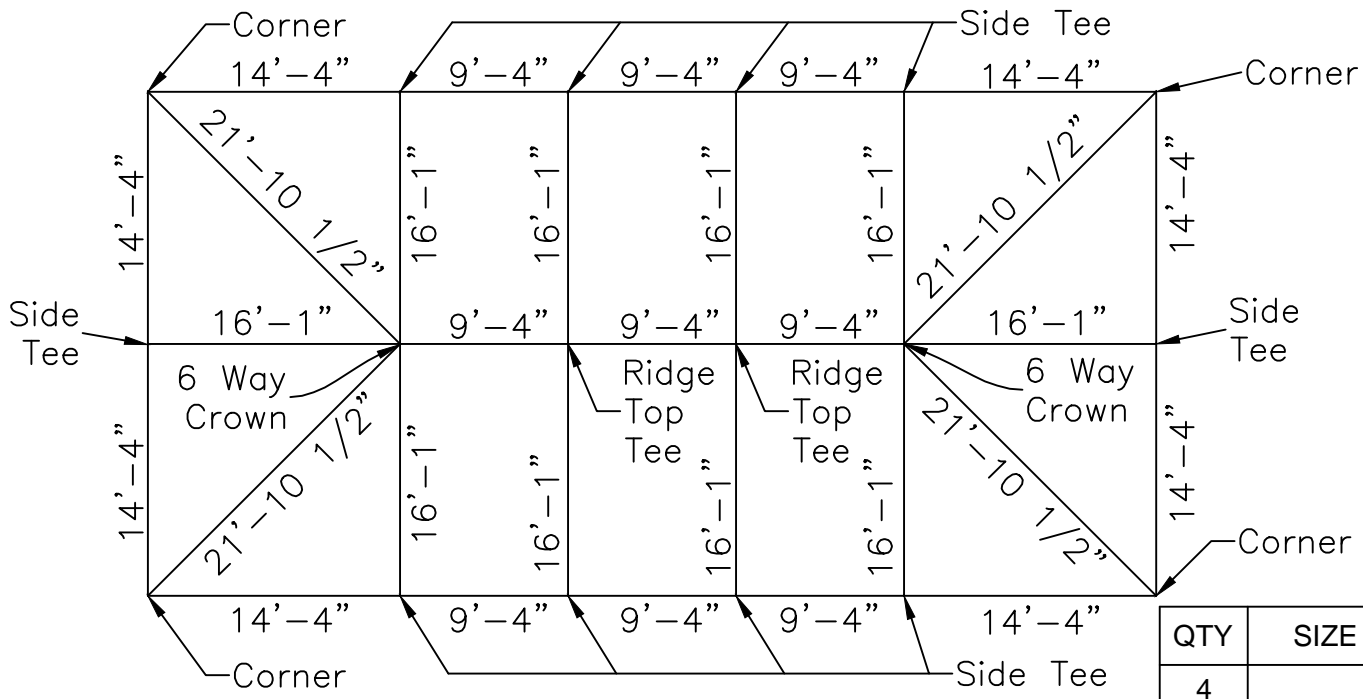
**Fred's Standard
FM2 30x50 10S CPB**

PROPRIETARY INFORMATION
THE DATA AND DETAILS SHOWN ON THIS PAGE ARE THE SOLE PROPERTY OF FRED'S TENTS & CANOPIES. IT MAY NOT BE USED, DISCLOSED, OR DUPLICATED IN ANY WAY.

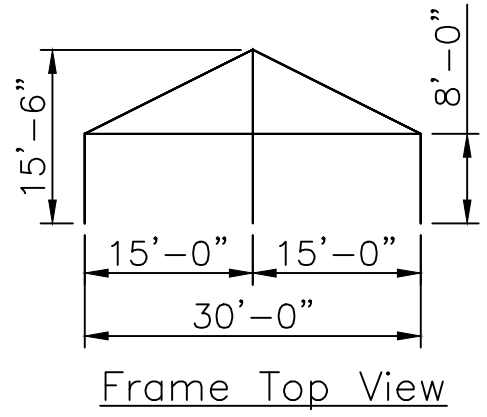
FRED'S TENTS & CANOPIES

Waterford, NY 12188
www.wemaketents.com • 518.233.8368

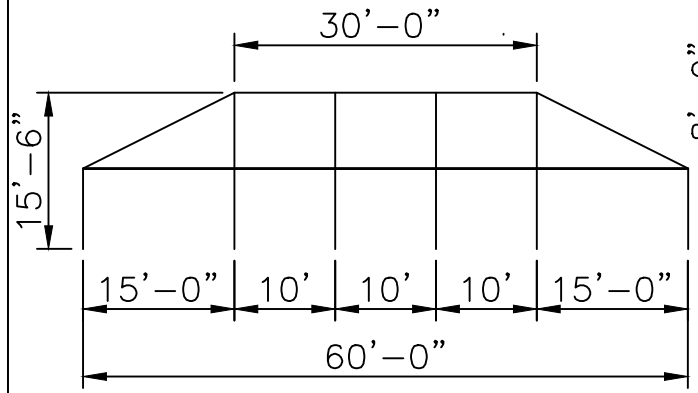
DRAWN BY: MO	APP. BY: TV	APP. BY:	DATE: 07-08-05	LAST REV BY:	ASSEMBLY DWG
--------------	-------------	----------	----------------	--------------	--------------



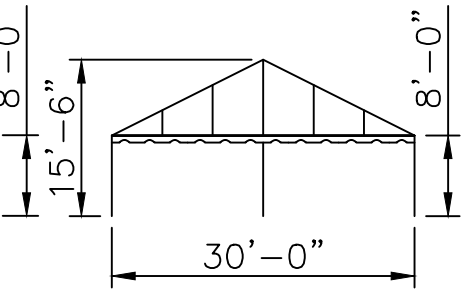
Frame Top View



Frame Top View



Frame Side View



Fabric View

QTY	SIZE	ITEM#	PART	COLOR
4		15650	Corner w/ Eye Bolt	
2		15641	6 Way Crown	
10		15686	Side Tee w/ Eye Bolt	
2		15683	Ridge Top Tee	
14		15678	Offset Foot Pad	
90		15566	Pin & Bails	
4	21'-10 1/2"	15152	Hip Rafter	Red
10	16'-1"	15150	Rafter	Green
8	14'-4"	15149	Spreader	Red
9	9'-4"	15176	Spreader	
14	7'-8"	15171	Leg	Black
18	Ø1/2"	15924	Rope	
18	1"x42"	15227	Double Head Stake	

Fred's Standard
FM2 30x60 10S CPB

PROPRIETARY INFORMATION
THE DATA AND DETAILS SHOWN ON THIS PAGE ARE THE
SOLE PROPERTY OF FRED'S TENTS & CANOPIES. IT MAY
NOT BE USED, DISCLOSED, OR DUPLICATED IN ANY WAY.

FRED'S TENTS & CANOPIES

Waterford, NY 12188
www.wemaketents.com • 518.233.8368

DRAWN BY: OK	APP. BY: TV	APP. BY: TV	DATE: 10.11.10	LAST REV BY:	ASSEMBLY DWG.
--------------	-------------	-------------	----------------	--------------	---------------