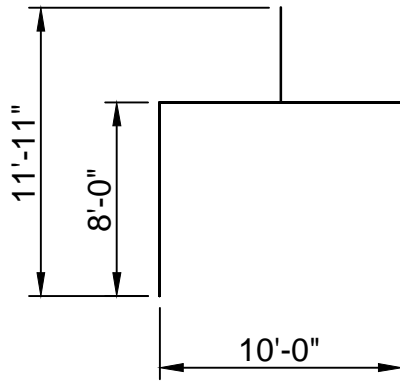
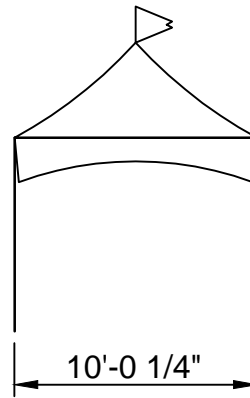


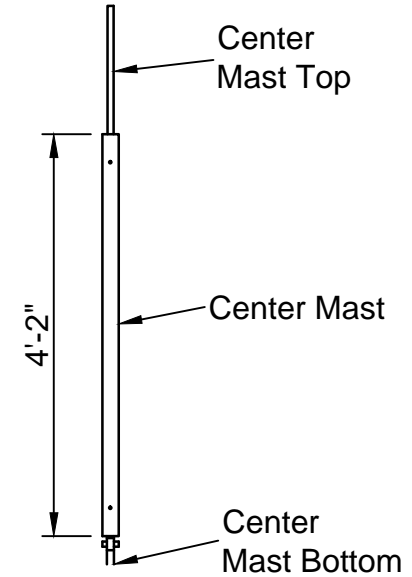
Frame Top View



Frame Side View



Fabric View



QTY	SIZE	ITEM#	PART	COLOR
4		18090	F&C Corner	
1		15692	Center Mast Top	
1		15691	Center Mast Bottom	
4		15689	Tension Foot Pad	
4		14861	Tension Ratchet	
18		15566	Pin & Bails	
2	13'-4 5/8"	14579	Steel Cable	Blue
1	4'-2"	15157	Center Mast	Yellow
4	9'-4"	15176	Spreader	White
4	7'-8"	15171	Leg	Black
4	Ø3/8"	15933	Rope	
4	1"x30"	15224	Double Head Stake	
1		16023	Corner Fabric Tool	

FM2 10x10 F&C

Fred's Standard
10x10 Frame & Cable Tent
2" Aluminum

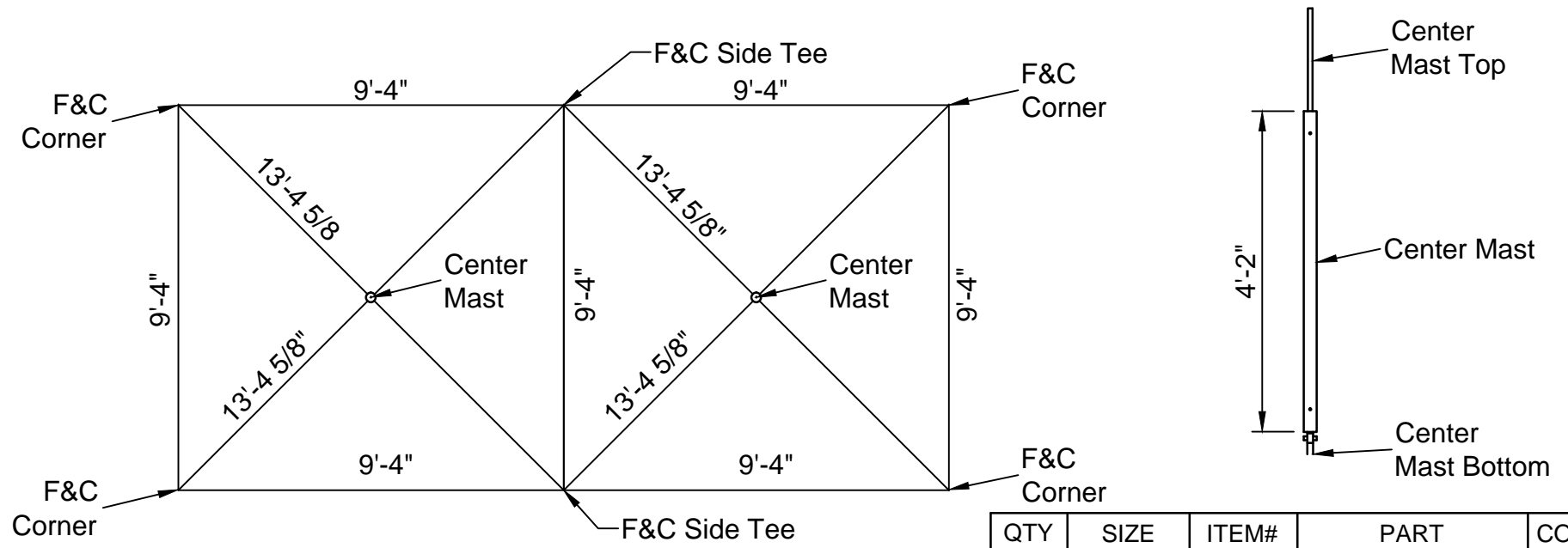
PROPRIETARY INFORMATION
THE DATA AND DETAILS SHOWN ON THIS PAGE ARE THE
SOLE PROPERTY OF FRED'S TENTS & CANOPIES. IT MAY
NOT BE USED, DISCLOSED, OR DUPLICATED IN ANY WAY.

FRED'S TENTS & CANOPIES

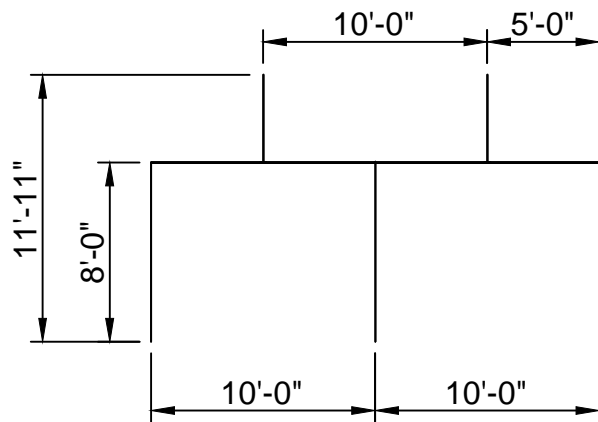
Waterford, NY 12188
www.wemaketents.com • 518.233.8368

DRAWN BY: MO	APP. BY: TV	APP. BY:	DATE: 08-03-16	LAST REV BY:	ASSEMBLY DWG
--------------	-------------	----------	----------------	--------------	--------------

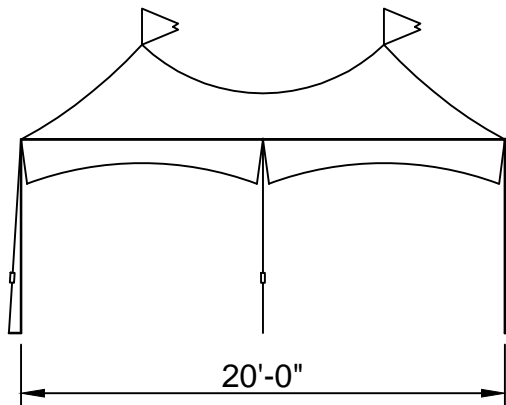
ITEM # 14606



Frame Top View



Frame Side View



Fabric Side View

QTY	SIZE	ITEM#	PART	COLOR
4		18090	F&C Corner w/ Eye Bolt	
2		15695	F&C Side Tee	
6		15689	Tension Foot Pad	
6		14861	Tension Ratchet	
2		15657	Center Mast Top	
2		15656	Center Mast Bottom	
30		15566	2" Pin & Bail	
4	13'-4 5/8"	14579	Steel Cable	Blue
2	4'-2"	15157	Center Mast	Yellow
7	9'-4"	15176	Spreader	White
6	7'-8"	15171	Leg	Black
6	Ø3/8"	15933	Rope	
10	1"x30"	15224	Double Head Stake	
1		16023	Corner Fabric Tool	

FM2 10x20 2M F&C

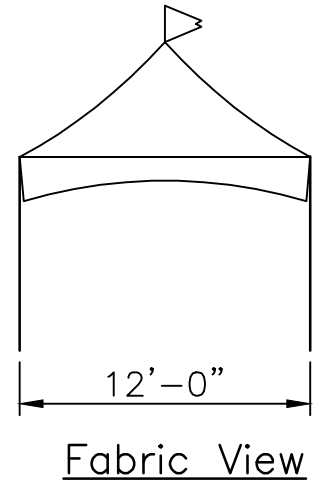
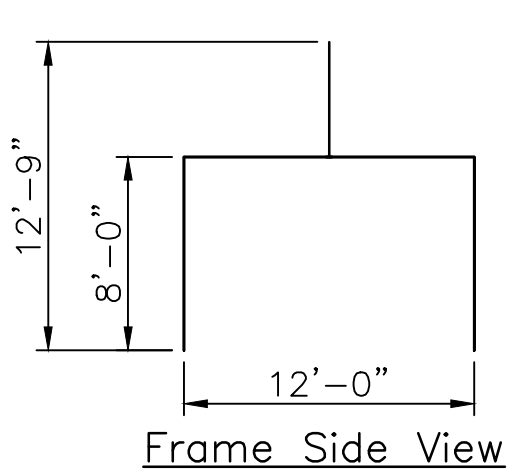
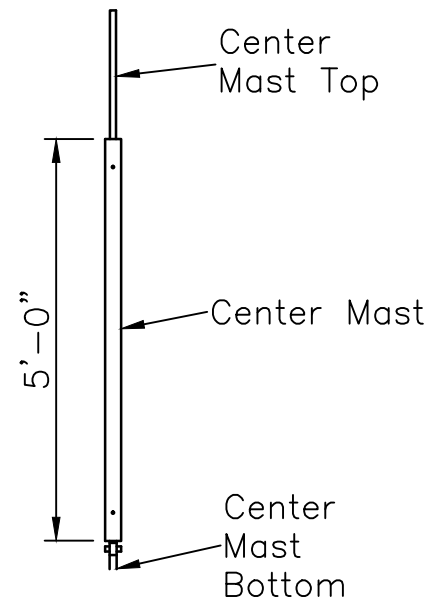
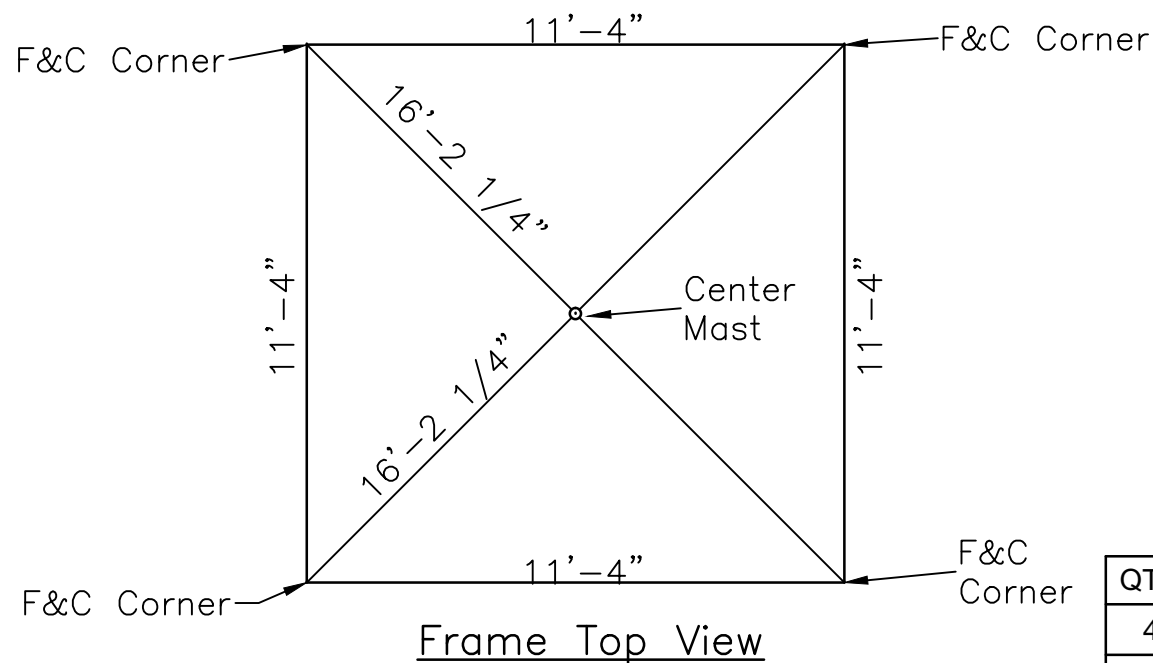
Fred's Standard
10x20 Frame & Cable Tent
2" Aluminum Frame

PROPRIETARY INFORMATION
THE DATA AND DETAILS SHOWN ON THIS PAGE ARE THE
SOLE PROPERTY OF FRED'S TENTS & CANOPIES. IT MAY
NOT BE USED, DISCLOSED, OR DUPLICATED IN ANY WAY.

FRED'S TENTS & CANOPIES

Waterford, NY 12188
www.wemaketents.com • 518.233.8368

DRAWN BY:	APP. BY: OK	APP. BY: TV	DATE: 01-09-09	LAST REV BY:	ASSEMBLY DWG.
-----------	-------------	-------------	----------------	--------------	---------------



QTY	SIZE	ITEM#	PART	COLOR
4		18090	F&C Corner	
4		15689	Tension Foot Pad	
1		15692	Center Mast Top	
1		15691	Center Mast Bottom	
4		14861	Tension Ratchet	
18		15566	Pin & Bails	
2	16'-2 1/4"	17629	1/4" Steel Cable	Red
1	5'-0"	19798	Center Mast	Yellow
4	11'-4"	15146	Spreader	White
4	7'-8"	15171	Leg	Black
4	Ø3/8"	15933	Rope	
4	1"x30"	15224	Double Head Stake	
1		16023	Corner Frame Tool	

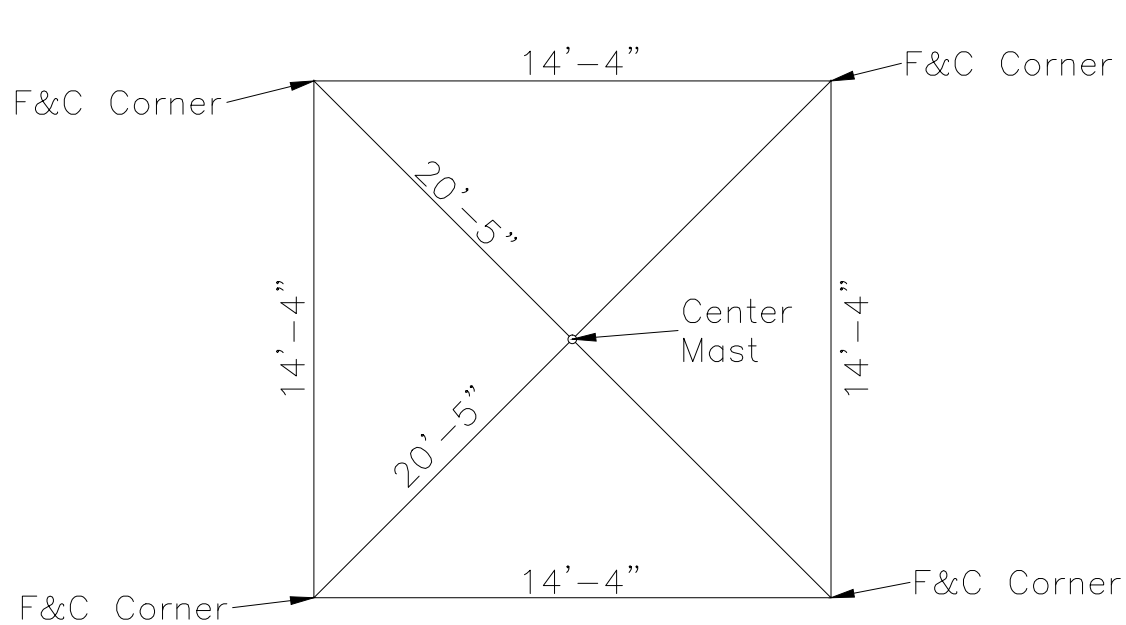
FM2 12x12 F&C

**Fred's Standard
12x12 Frame & Cable Tent
2" Aluminum**

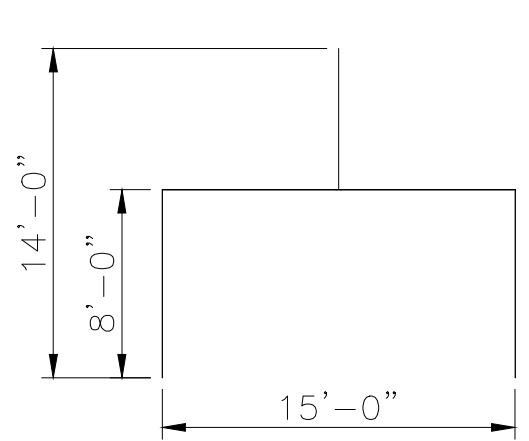
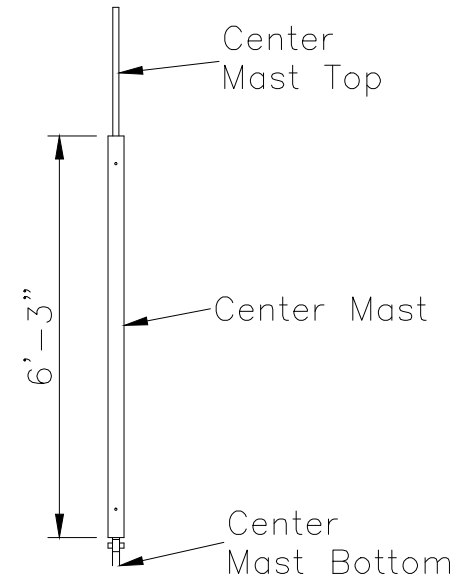
PROPRIETARY INFORMATION
THE DATA AND DETAILS SHOWN ON THIS PAGE ARE THE
SOLE PROPERTY OF FRED'S TENTS & CANOPIES. IT MAY
NOT BE USED, DISCLOSED, OR DUPLICATED IN ANY WAY.

FRED'S TENTS & CANOPIES
Waterford, NY 12188
www.wemaketents.com • 518.233.8368

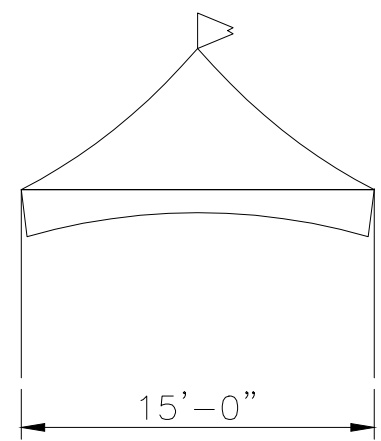
DRAWN BY: OK	APP. BY: TV	APP. BY:	DATE: 09-30-08	LAST REV BY:	ASSEMBLY DWG
---------------------	--------------------	-----------------	-----------------------	---------------------	---------------------



Frame Top View



Frame Side View



Fabric View

QTY	SIZE	ITEM#	PART	COLOR
4		18090	F&C Corner	
4		15689	Tension Foot Pad	
1		15692	Center Mast Top	
1		15691	Center Mast Bottom	
4		14861	Tension Ratchet	
18		15566	Pin & Bails	
2	20'-5"	17630	Steel Cable 1/4"	Green
1	6'-3"	15164	Center Mast	Yellow
4	14'-4"	15149	Spreader	Red
4	7'-8"	15171	Leg	Black
4	Ø3/8"	15933	Rope	
4	1"x30"	15224	Double Head Stake	
1		16023	Corner Fabric Tool	

FM2 15x15 F&C
Fred's Standard
15x15 Frame & Cable Tent
2" Aluminum

PROPRIETARY INFORMATION
 THE DATA AND DETAILS SHOWN ON THIS PAGE ARE THE
 SOLE PROPERTY OF FRED'S TENTS & CANOPIES. IT MAY
 NOT BE USED, DISCLOSED, OR DUPLICATED IN ANY WAY.

FRED'S TENTS & CANOPIES
 Waterford, NY 12188
 www.wemaketents.com • 518.233.8368

DRAWN BY:	APP. BY: MO	APP. BY: TV	DATE: 08-26-16	LAST REV BY:	ASSEMBLY DWG.
-----------	-------------	-------------	----------------	--------------	---------------