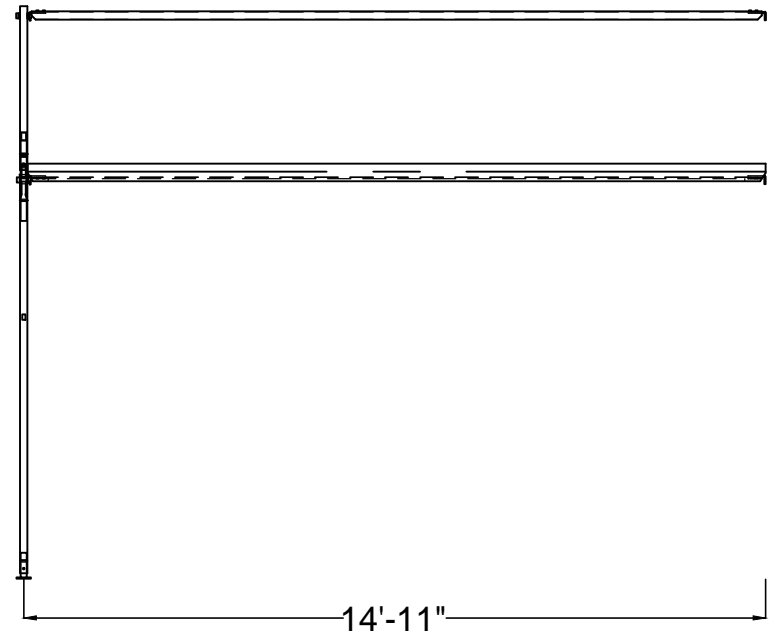
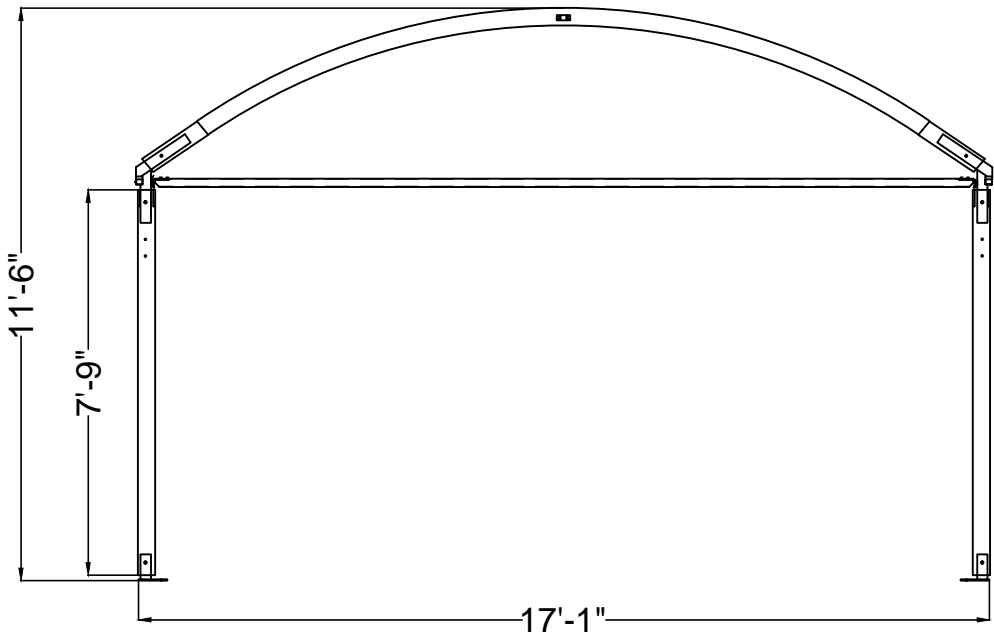
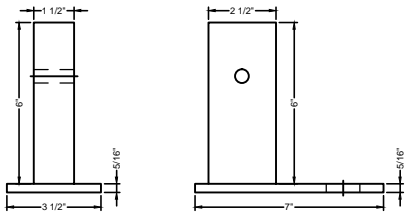


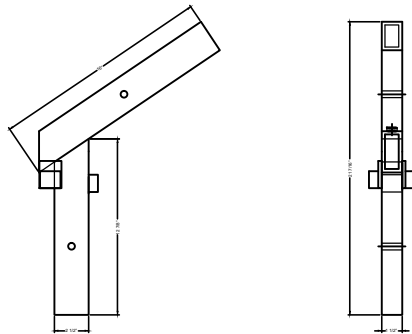
ITEM # 21862



5 Track Foot Pad



Corner Fitting - 5m HMM



5m x 15 MID Halfmoon Marquee

Item #	QTY	DESCRIPTION
23084	1	5m HMM Rafter
23085-10	2	15' Bay Eave Purlin
23086-10	1	15' Bay Ridge Inter Purlin
23087	2	7'-9" 5-Track Leg
19470	2	5-Track Foot Pads
23089	2	Corner Fitting - 5m HMM
23085-5M	1	Gable Purlin
23088-15	4	15' Wall Cables
19844-5T	2	5-Track Eave Ratchets No Cables
20126	8	Eye Nut - 3/8"
20177	8	Hex Cap Screw / Bolt - 3/8"
15554	8	Lock Nut - 3/8"

Fred's Standard

PROPRIETARY INFORMATION

THE DATA AND DETAILS SHOWN ON THIS PAGE ARE THE SOLE PROPERTY OF FRED'S TENTS & CANOPIES. IT MAY NOT BE USED, DISCLOSED, OR DUPLICATED IN ANY WAY.

FRED'S TENTS & CANOPIES

Waterford, NY 12188

www.wemaketents.com • 518.233.8368

DRAWN BY: MO

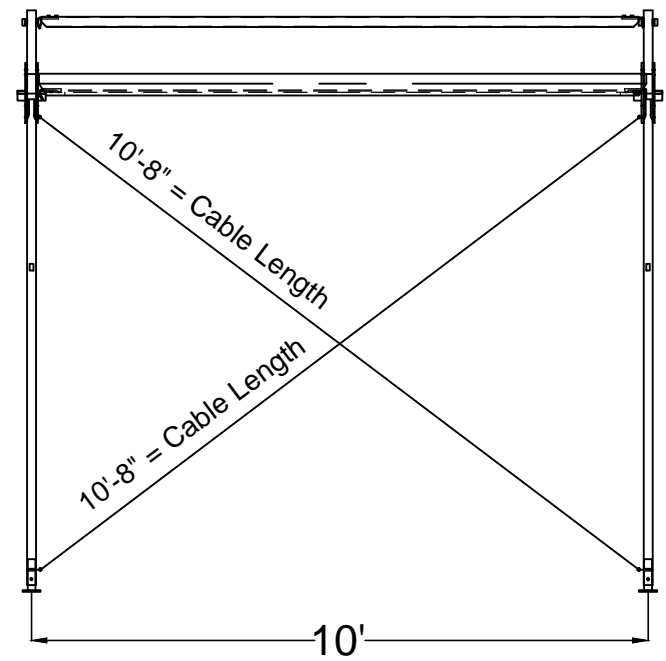
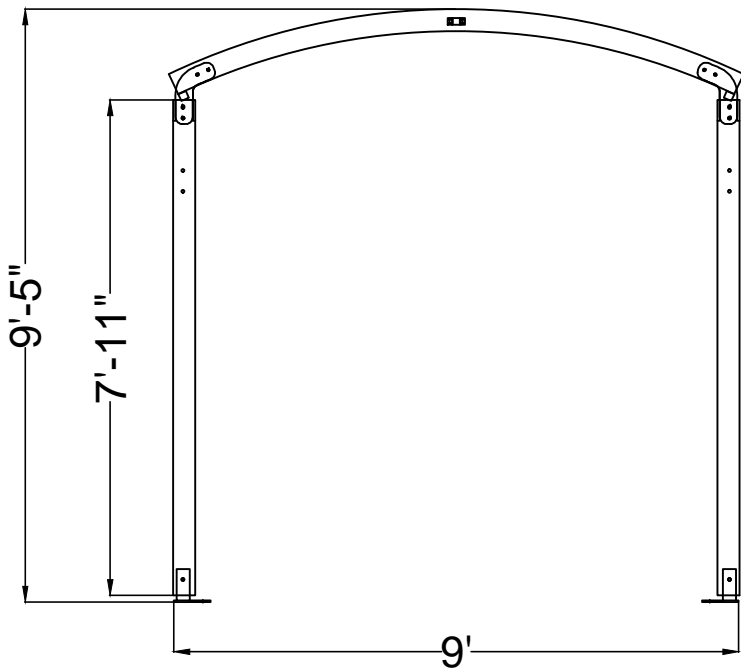
APP. BY: TV

APP. BY:

DATE: 10-03-16

SHOP DWG

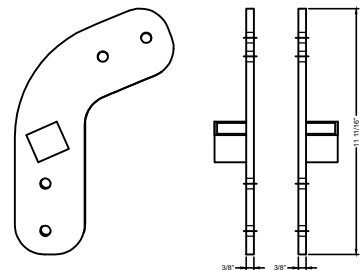
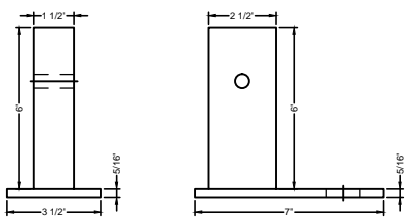
ITEM # 21857



1 Wall Cable Assembly includes: 2 Eye Ends,
1 Turn Buckle, 1 Shackle

5 Track Foot Pad

Boomerang Fitting



9ft x 10ft Halfmoon Marquee

Item #	QTY	DESCRIPTION
23079	2	9ft HMM Rafter
23080-10	2	10' Bay Eave/ Purlin
23081-10	1	10' Bay Ridge Inter Purlin
23082	4	7'-11" 5-Track Leg
20498L 20948R	4	Boomerang Fitting / Corner Fitting-9ft HMM
23083-10	4	10' Wall Cables
19470	4	5-Track Foot Pads
19844-5T	4	5-Track Eave Ratchets
20126	8	Eye Nut - 3/8"
20177	8	Hex Cap Screw / Bolt - 3/8"
15554	8	Lock Nut - 3/8"

Fred's Standard

PROPRIETARY INFORMATION
THE DATA AND DETAILS SHOWN ON THIS PAGE ARE THE SOLE PROPERTY OF FRED'S TENTS & CANOPIES. IT MAY NOT BE USED, DISCLOSED, OR DUPLICATED IN ANY WAY.

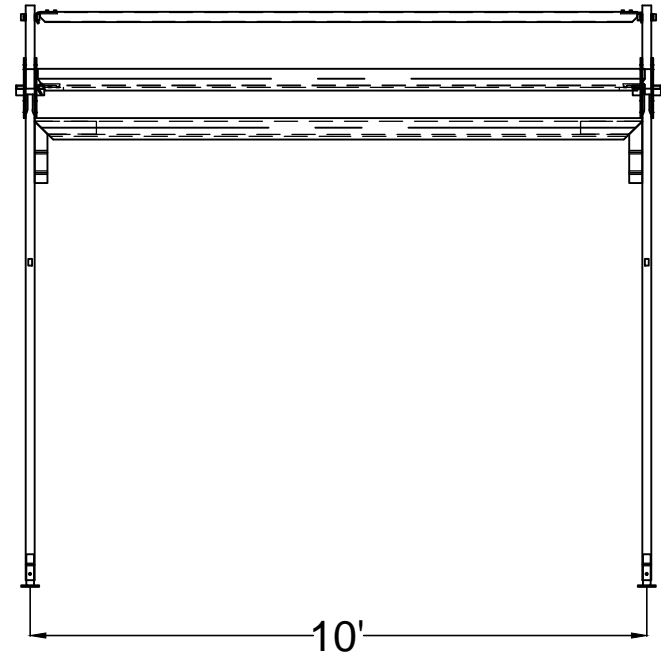
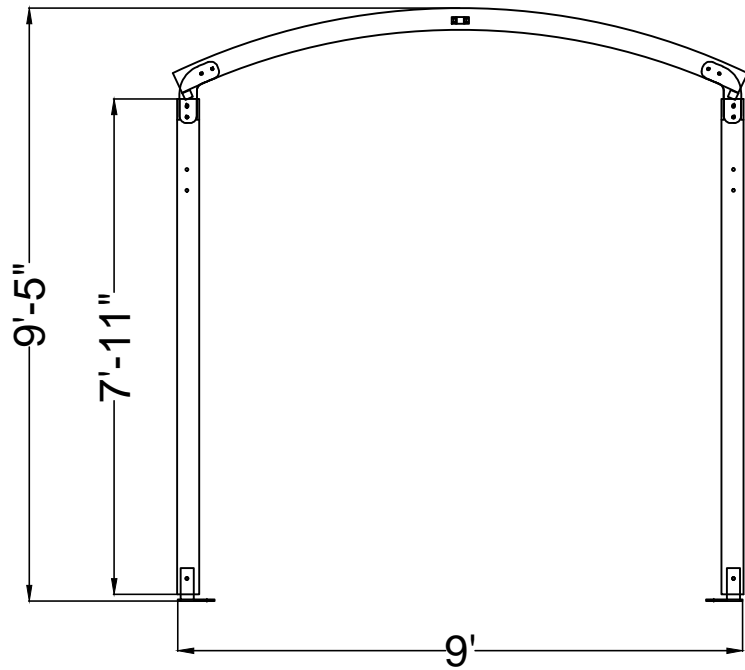
FRED'S TENTS & CANOPIES

Waterford, NY 12188
www.wemaketents.com • 518.233.8368

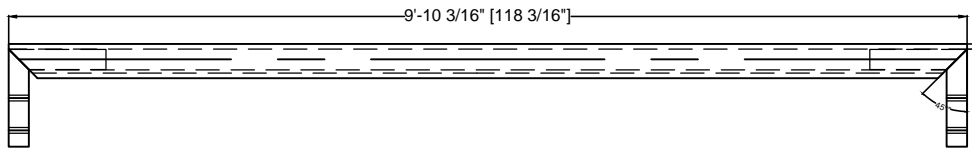
DRAWN BY: MO APP. BY: TV APP. BY: DATE: 10-03-16

SHOP DWG

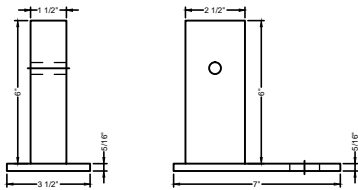
ITEM # 21857-PB



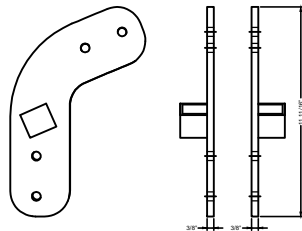
Portal Beam



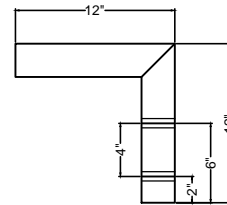
5 Track Foot Pad



Boomerang Fitting



Portal Beam Bracket



Item #	QTY	DESCRIPTION
23079	2	9ft HMM Rafter
23080-10	2	10' Bay Eave/ Purlin
23081-10	1	10' Bay Ridge Inter Purlin
23082	4	7'-11" 5-Track Leg
20498L 20948R	4	Boomerang Fitting / Corner Fitting-9ft HMM
21844-10	2	Portal Beam
19470	4	5-Track Foot Pads
19844-5T	4	5-Track Eave Ratchets
15872	2	Hex Cap Screw / Bolt - 3/8"x5"
15554	2	Lock Nut - 3/8"

9ft x 10ft Halfmoon Marquee

Fred's Standard

PROPRIETARY INFORMATION

THE DATA AND DETAILS SHOWN ON THIS PAGE ARE THE SOLE PROPERTY OF FRED'S TENTS & CANOPIES. IT MAY NOT BE USED, DISCLOSED, OR DUPLICATED IN ANY WAY.

FRED'S TENTS & CANOPIES

Waterford, NY 12188

www.wemaketents.com • 518.233.8368

DRAWN BY: MO

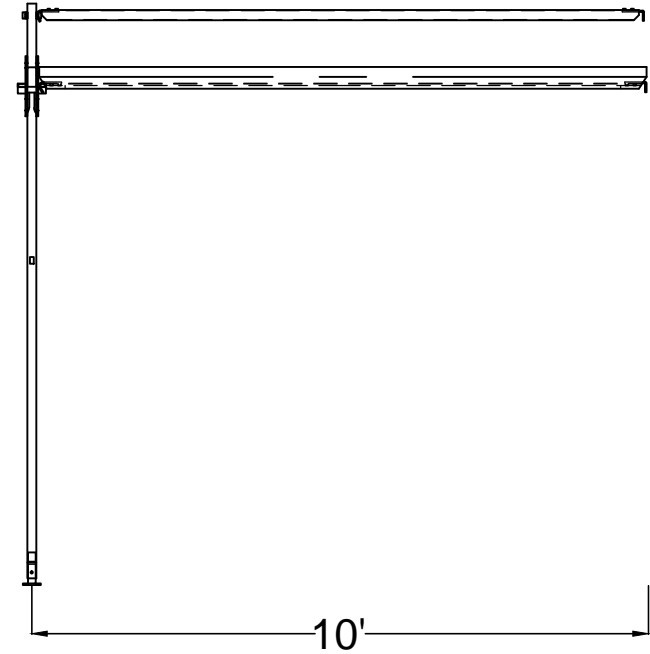
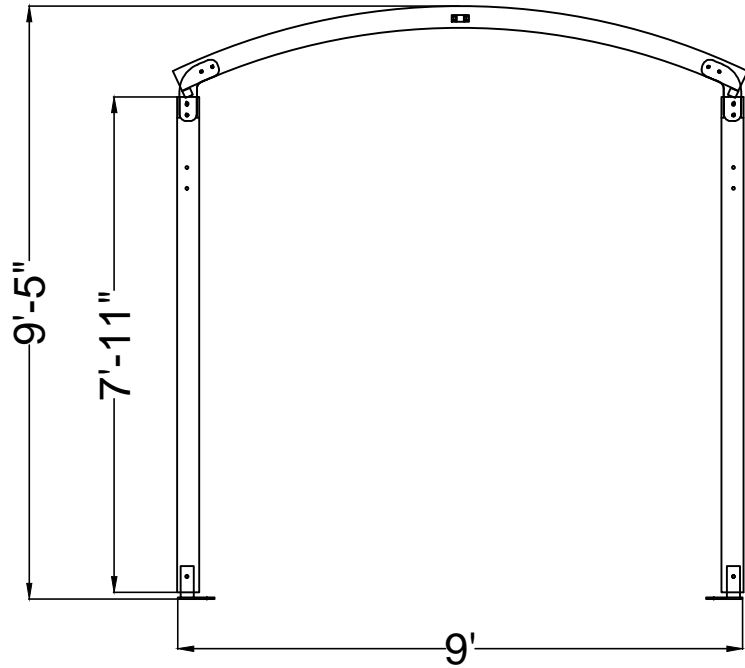
APP. BY: TV

APP. BY:

DATE: 10-03-16

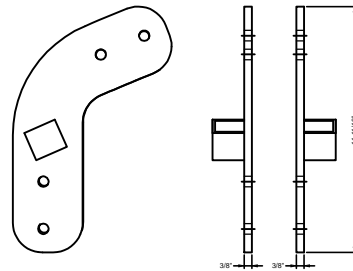
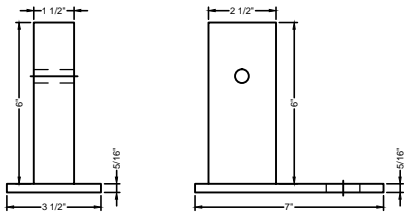
SHOP DWG

ITEM # 21858



5 Track Foot Pad

Boomerang Fitting



Item #	QTY	DESCRIPTION
23079	1	9ft HMM Rafter
23080-10	2	10' Bay Eave Purlin
23081-10	1	10' Bay Ridge Inter Purlin
23082	2	7'-11" 5-Track Leg
20498L 20498R	2	Boomerang Fitting / Corner Fitting-9ft HMM
23083-10	4	10' Wall Cables
19470	2	5-Track Foot Pads
19844-5T	2	5-Track Eave Ratchets No Cables
20126	8	Eye Nut - 3/8"
20177	8	Hex Cap Screw / Bolt - 3/8"
15554	8	Lock Nut - 3/8"

9ft x 10ft MID Halfmoon Marquee

Fred's Standard

PROPRIETARY INFORMATION
 THE DATA AND DETAILS SHOWN ON THIS PAGE ARE THE SOLE PROPERTY OF FRED'S TENTS & CANOPIES. IT MAY NOT BE USED, DISCLOSED, OR DUPLICATED IN ANY WAY.

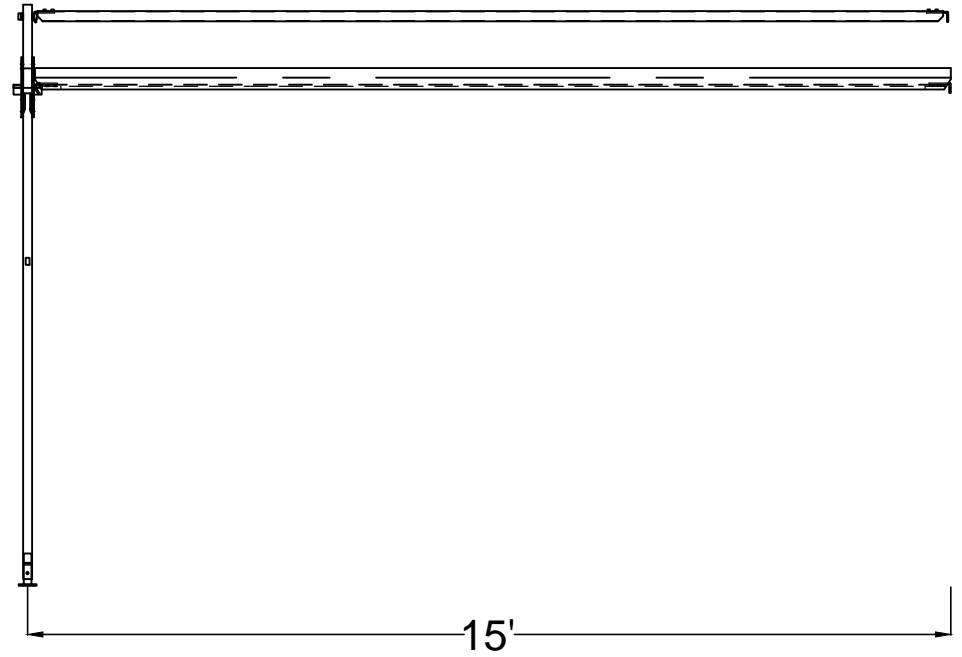
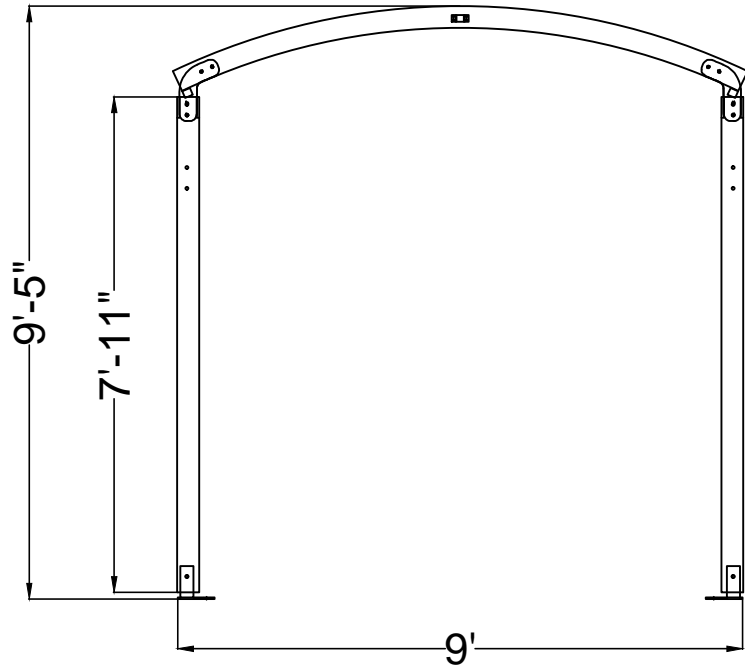
FRED'S TENTS & CANOPIES

Waterford, NY 12188
 www.wemaketents.com • 518.233.8368

DRAWN BY: MO APP. BY: TV APP. BY: DATE: 10-03-16

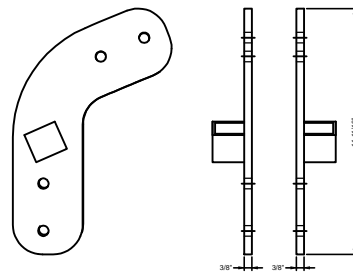
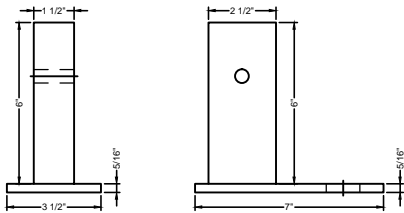
SHOP DWG

ITEM # 21859



5 Track Foot Pad

Boomerang Fitting



9ft x 15 MID Halfmoon Marquee

Item #	QTY	DESCRIPTION
23079	1	9ft HMM Rafter
23080-15	2	15 Bay Eave Purlin
23081-15	1	15' Bay Ridge Inter Purlin
23082	2	7'-11" 5-Track Leg
20498L 20498R	2	Boomerang Fitting / Corner Fitting-9ft HMM
23083-15	4	15' Wall Cables
19470	2	5-Track Foot Pads
19844-5T	2	5-Track Eave Ratchets No Cables
20126	8	Eye Nut - 3/8"
20177	8	Hex Cap Screw / Bolt - 3/8"
15554	8	Lock Nut - 3/8"

Fred's Standard

PROPRIETARY INFORMATION

THE DATA AND DETAILS SHOWN ON THIS PAGE ARE THE SOLE PROPERTY OF FRED'S TENTS & CANOPIES. IT MAY NOT BE USED, DISCLOSED, OR DUPLICATED IN ANY WAY.

FRED'S TENTS & CANOPIES

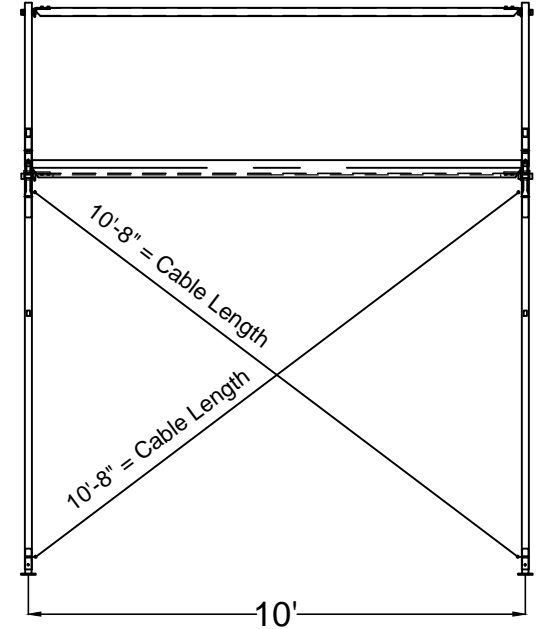
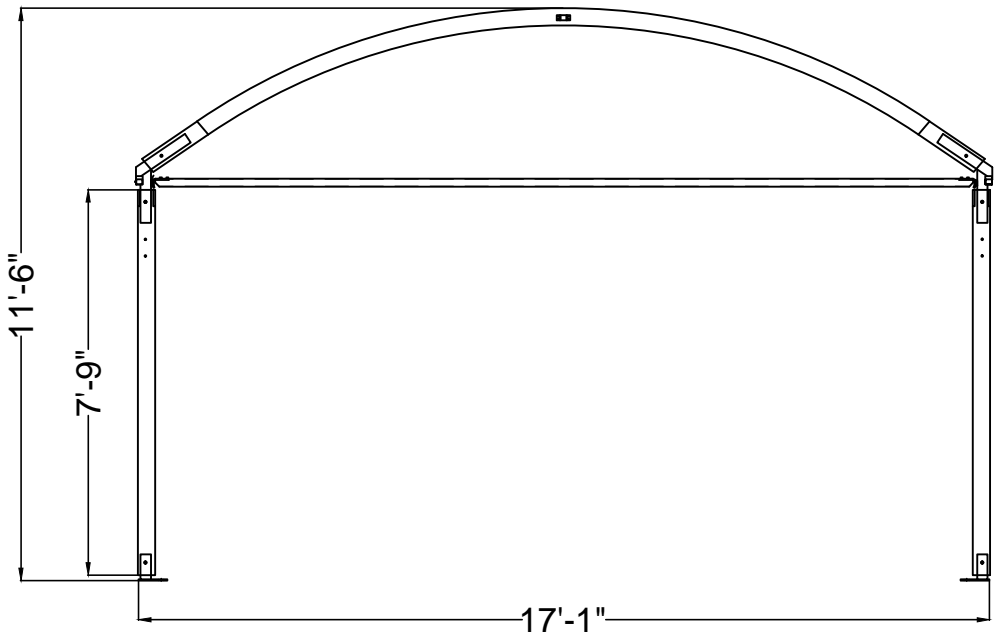
Waterford, NY 12188

www.wemaketents.com • 518.233.8368

DRAWN BY: MO APP. BY: TV APP. BY: DATE: 10-03-16

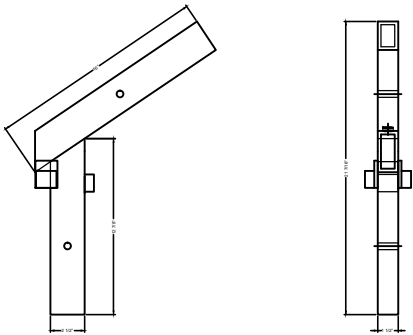
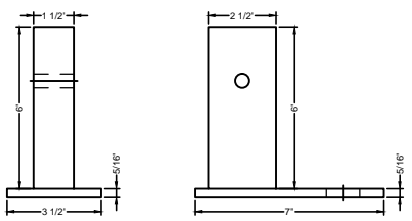
SHOP DWG

ITEM # 21860



5 Track Foot Pad

Corner Fitting - 5m HMM



5m x 10 Halfmoon Marquee

Item #	QTY	DESCRIPTION
23084	2	5m HMM Rafter
23085-10	2	10' Bay Eave Purlin
23086-10	1	10' Bay Ridge Inter Purlin
23087	4	7'-9" 5-Track Leg
19470	4	5-Track Foot Pads
23089	4	Corner Fitting - 5m HMM
23088-10	4	10' Wall Cables
19844-5T	4	5-Track Eave Ratchets No Cables
23085-5M	1	Gable Perlin
20126	8	Eye Nut - 3/8"
20177	8	Hex Cap Screw / Bolt - 3/8"
15554	8	Lock Nut - 3/8"

Fred's Standard

PROPRIETARY INFORMATION
THE DATA AND DETAILS SHOWN ON THIS PAGE ARE THE
SOLE PROPERTY OF FRED'S TENTS & CANOPIES. IT MAY
NOT BE USED, DISCLOSED, OR DUPLICATED IN ANY WAY.

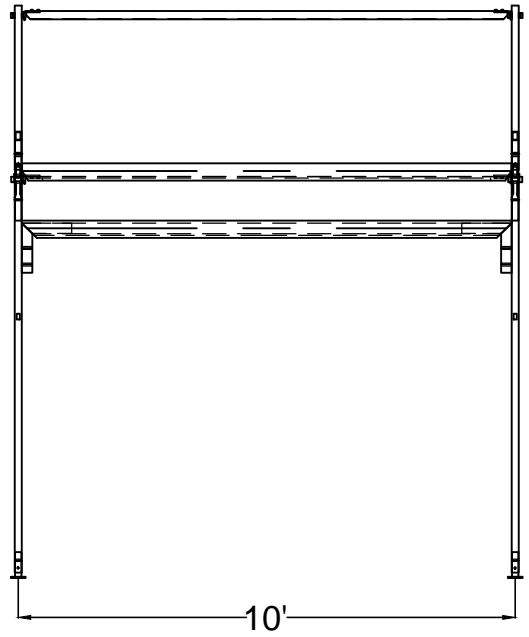
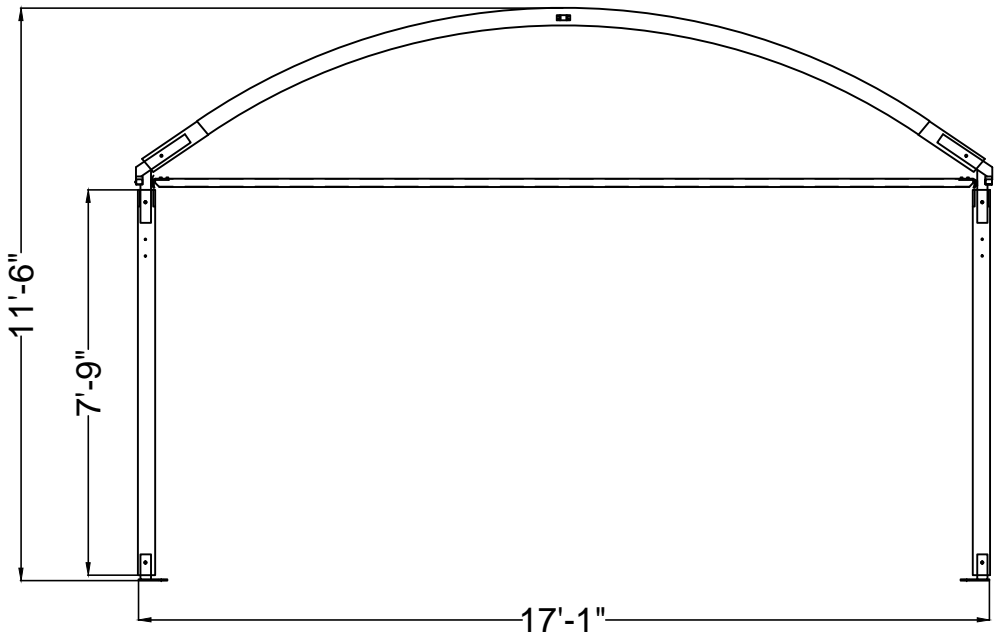
FRED'S TENTS & CANOPIES

Waterford, NY 12188
www.wemaketents.com • 518.233.8368

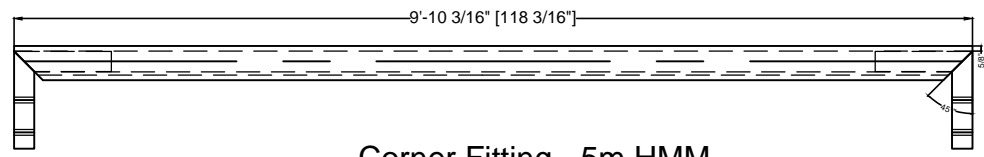
DRAWN BY: MO	APP. BY: TV	APP. BY:	DATE: 10-03-16
--------------	-------------	----------	----------------

SHOP DWG

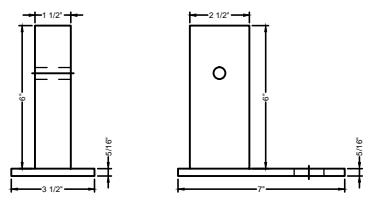
ITEM # 21860-PB



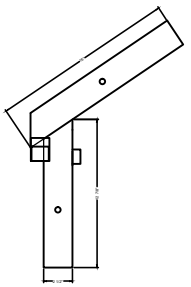
Portal Beam



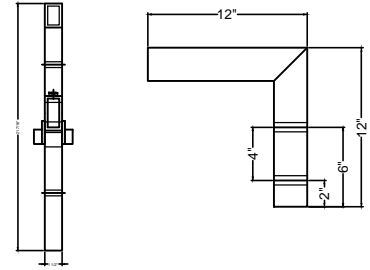
5 Track Foot Pad



Corner Fitting - 5m HMM



Portal Beam Bracket



5m x 10 Halfmoon Marquee

Item #	QTY	DESCRIPTION
23084	2	5m HMM Rafter
23085-10	2	10' Bay Eave Purlin
23086-10	1	10' Bay Ridge Inter Purlin
23087	4	7'-9" 5-Track Leg
19470	4	5-Track Foot Pads
23089	4	Corner Fitting - 5m HMM
21844-10	2	Portal Beam
19844-5T	4	5-Track Eave Ratchets No Cables
23085-5M	1	Gable Perlin
15872	2	Hex Cap Screw / Bolt - 3/8"x5"
15554	2	Lock Nut - 3/8"

Fred's Standard

PROPRIETARY INFORMATION

THE DATA AND DETAILS SHOWN ON THIS PAGE ARE THE SOLE PROPERTY OF FRED'S TENTS & CANOPIES. IT MAY NOT BE USED, DISCLOSED, OR DUPLICATED IN ANY WAY.

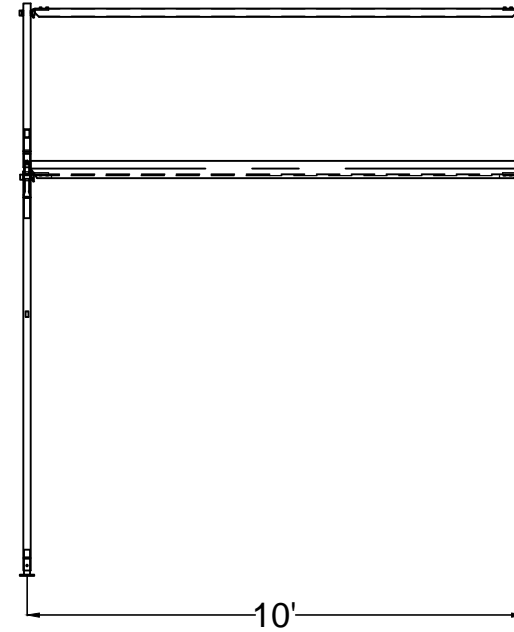
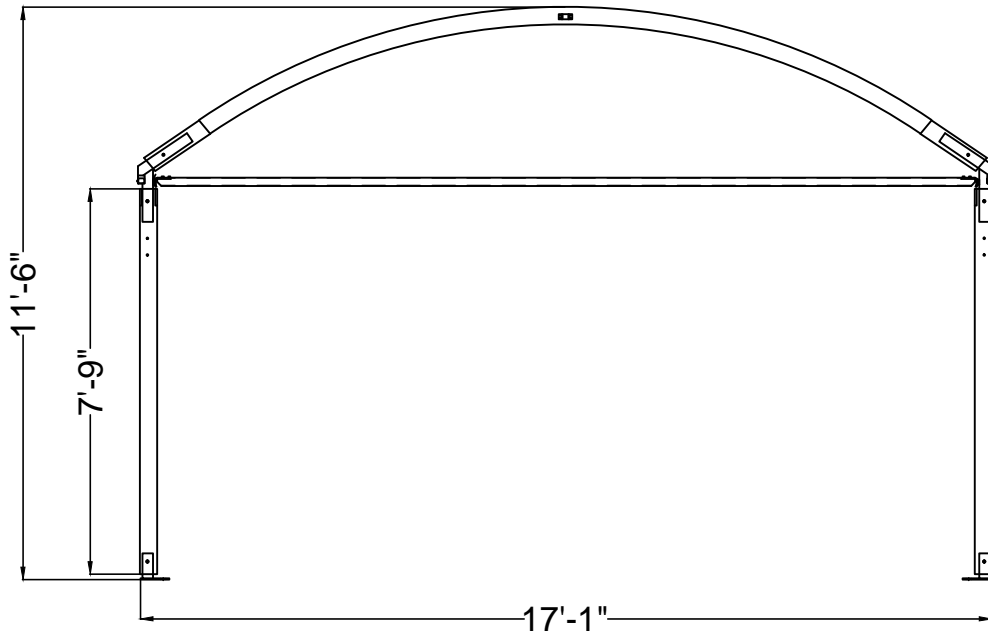
FRED'S TENTS & CANOPIES

Waterford, NY 12188
www.wemaketents.com • 518.233.8368

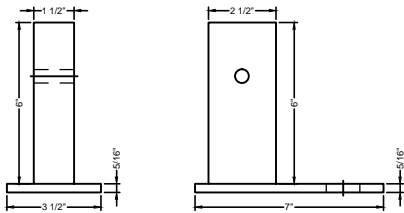
DRAWN BY: MO	APP. BY: TV	APP. BY:	DATE: 10-03-16
--------------	-------------	----------	----------------

SHOP DWG

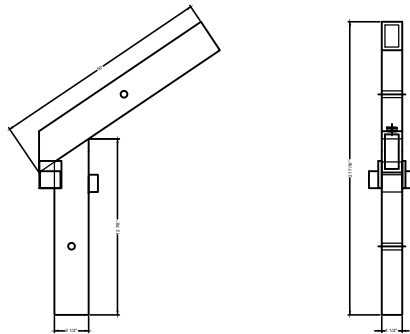
ITEM # 21861



5 Track Foot Pad



Corner Fitting - 5m HMM



5m x 10 MID Halfmoon Marquee

Item #	QTY	DESCRIPTION
23084	1	5m HMM Rafter
23085-10	2	10' Bay Eave Purlin
23086-10	1	10' Bay Ridge Inter Purlin
23087	2	7'-9" 5-Track Leg
19470	2	5-Track Foot Pads
23089	2	Corner Fitting - 5m HMM
23085-5M	1	Gable Perlin
23088-10	4	10' Wall Cables
19844-5T	2	5-Track Eave Ratchets No Cables
20126	8	Eye Nut - 3/8"
20177	8	Hex Cap Screw / Bolt - 3/8"
15554	8	Lock Nut - 3/8"

Fred's Standard

PROPRIETARY INFORMATION

THE DATA AND DETAILS SHOWN ON THIS PAGE ARE THE SOLE PROPERTY OF FRED'S TENTS & CANOPIES. IT MAY NOT BE USED, DISCLOSED, OR DUPLICATED IN ANY WAY.

FRED'S TENTS & CANOPIES

Waterford, NY 12188

www.wemaketents.com • 518.233.8368

DRAWN BY: MO

APP. BY: TV

APP. BY:

DATE: 10-03-16

SHOP DWG