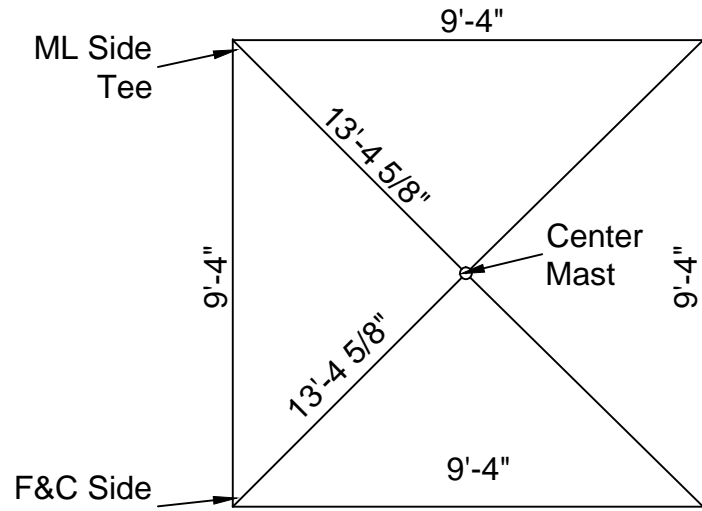
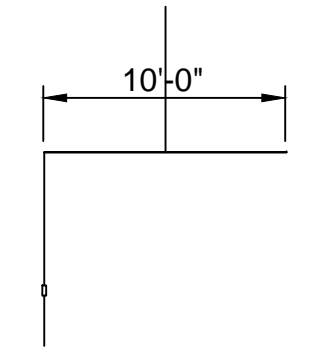
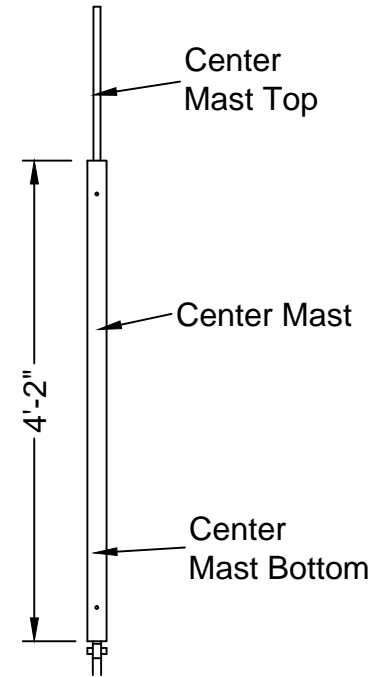


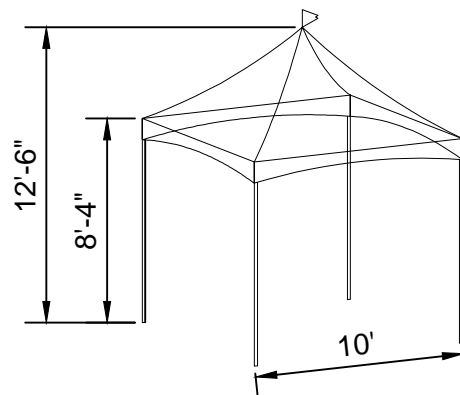
ITEM # 23706



Frame Top View



Frame Side View



Fabric View

Qty	Size	Part#	Description
4		23712	ML Corner Fitting
4		23713	ML Foot Pad
1		15692	Center Mast Top
1		15691	Center Mast Bottom
1	5'-0"	23725	2" Center Mast
2	2.5"x9'3"	23721	Spreader
2	2.5"x19'3"	23724	Spreader
4	2.5"x8'-0"	23722	Leg
4	3/8"x16'-0"	15933	Rope
4		23715	Tension Ratchet w/ S Hook
2		15566	Pin & Bails
1		23717	ML-10x20 Steel Cable (2)
4	1"x30"	15224-P	Double Head Stake
1		16023	Corner Fabric Tool

Customer:

Fred's Standard
10x10 Maple Leaf
2.5" Aluminum

PROPRIETARY INFORMATION
THE DATA AND DETAILS SHOWN ON THIS PAGE ARE THE
SOLE PROPERTY OF FRED'S TENTS & CANOPIES. IT MAY
NOT BE USED, DISCLOSED, OR DUPLICATED IN ANY WAY.

FRED'S TENTS & CANOPIES

Waterford, NY 12188

www.wemaketents.com • 518.233.8368

DRAWN BY: RW	APP. BY: TV	APP. BY:	DATE: 12.20.17	LAST REV BY:	ASSEMBLY DWG
--------------	-------------	----------	----------------	--------------	--------------