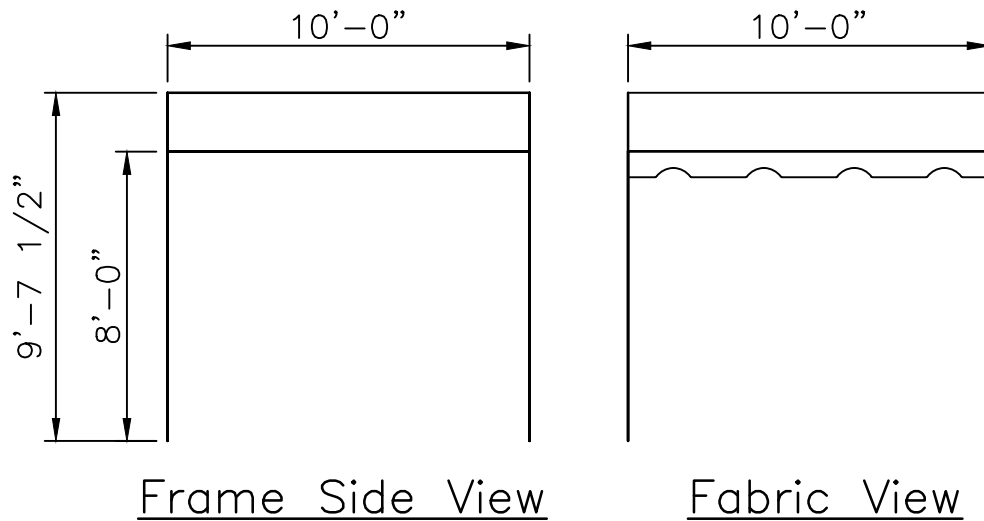
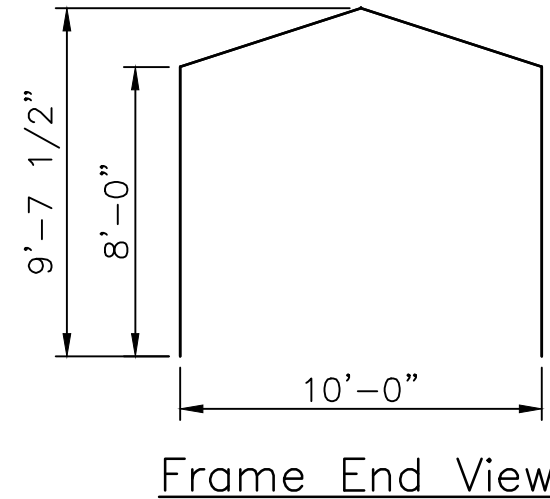
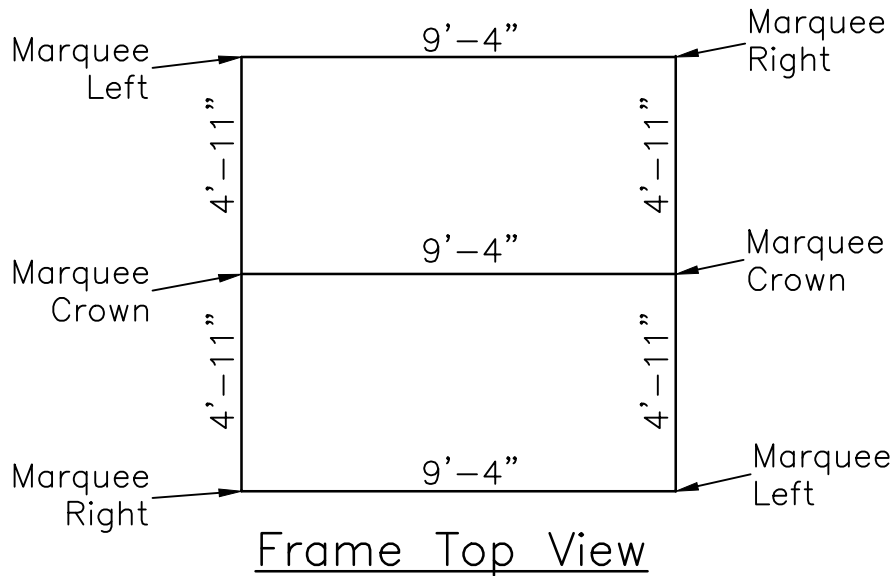


ITEM # 13844



QTY	TYPE/SIZE	ITEM#	PART	COLOR
2		15676	Marquee Left	
2		15677	Marquee Right	
2		15671	Marquee Crown	
4		15678	Offset Foot Pad	
22		15566	Pin & Bails	
4	4'-11"	15158	Hip Rafter	Blue
3	9'-4"	15176	Spreader	White
4	7'-8"	15171	Leg	Black
4	Ø3/8"	18641	Rope	
4	1"x30"	15224	Double Head Stake	

Customer:

Fred's Standard
FM2 10x10 MAR

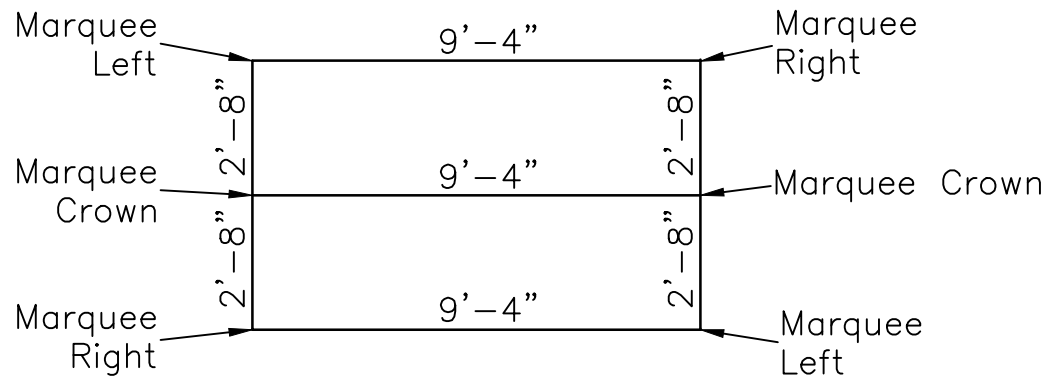
PROPRIETARY INFORMATION
THE DATA AND DETAILS SHOWN ON THIS PAGE ARE THE
SOLE PROPERTY OF FRED'S TENTS & CANOPIES. IT MAY
NOT BE USED, DISCLOSED, OR DUPLICATED IN ANY WAY.

FRED'S TENTS & CANOPIES

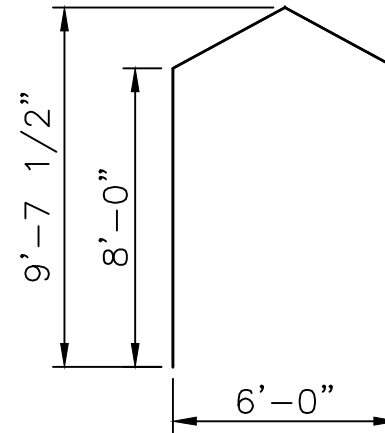
Waterford, NY 12188

www.wemaketents.com • 518.233.8368

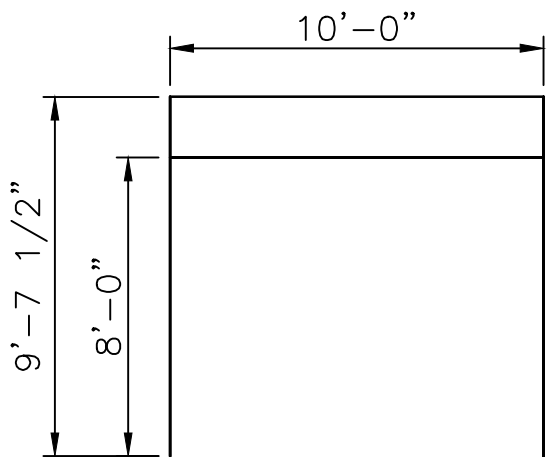
DRAWN BY: OK APP. BY: TV APP. BY: DATE: 12-18-08



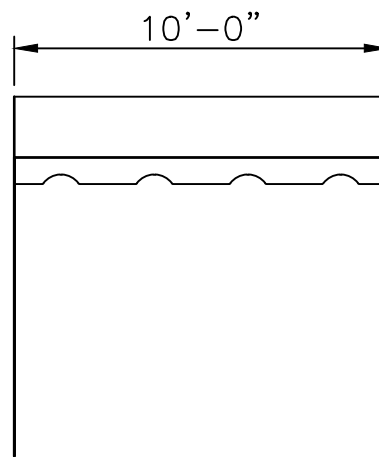
Frame Top View



Frame End View



Frame Side View



Fabric View

QTY	SIZE	ITEM#	PART	COLOR
2		15676	Marquee Left	
2		15677	Marquee Right	
2		15671	Marquee Crown	
4		15687	Offset Foot Pad	
22		15566	Pin & Bails	
4	2'-8"	15151	Hip Rafter	Brown
3	9'-4"	15176	Spreader	White
4	7'-8"	15171	Leg	Black
4	Ø3/8"	15933	Rope	
4	1"x30"	15224	Double Head Stake	

FM2 6x10 MAR

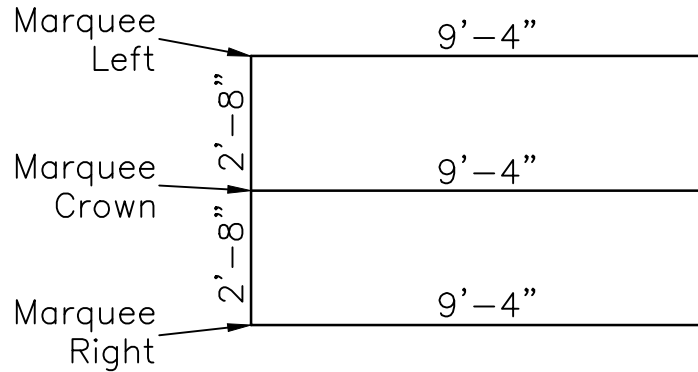
**Fred's Standard
6 x 10 Marquee
2" Frame**

PROPRIETARY INFORMATION
THE DATA AND DETAILS SHOWN ON THIS PAGE ARE THE
SOLE PROPERTY OF FRED'S TENTS & CANOPIES. IT MAY
NOT BE USED, DISCLOSED, OR DUPLICATED IN ANY WAY.

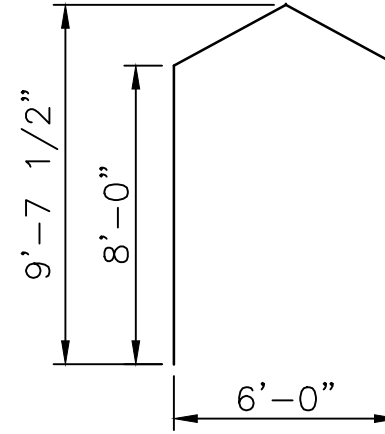
FRED'S TENTS & CANOPIES

Waterford, NY 12188
www.wemaketents.com • 518.233.8368

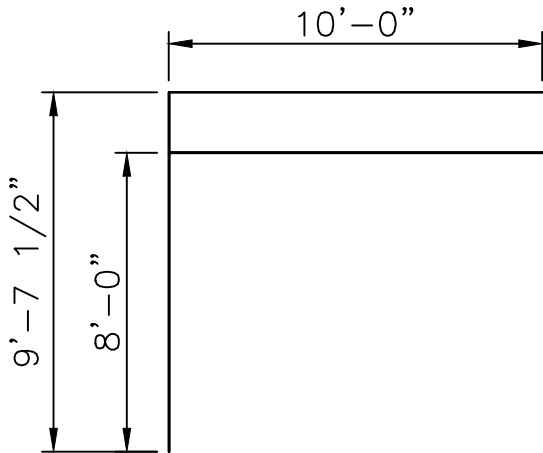
DRAWN BY: OK APP. BY: TV APP. BY: DATE: 12.18.08 LAST REV BY:



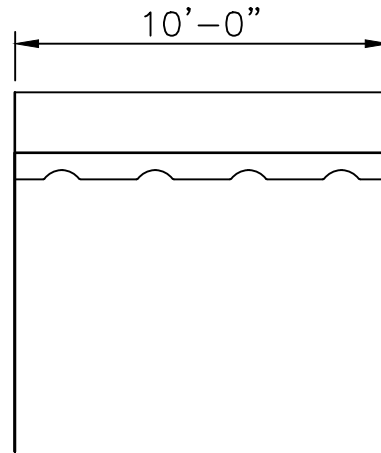
Frame Top View



Frame End View



Frame Side View



Fabric View

QTY	SIZE	ITEM#	PART	COLOR
1		15676	Marquee Left	
1		15677	Marquee Right	
1		15671	Marquee Crown	
2		15678	Offset Foot Pad	
14		15566	Pin & Bails	
2	2'-8"	15151	Hip Rafter	Brown
3	9'-4"	15176	Spreader	White
2	7'-8"	15171	Leg	Black
2	Ø3/8"	15933	Rope	
2	1"x30"	15224	Double Head Stake	

FM2 6x10 MAR MID

Fred's Standard
6 x 10 Marquee MID
2" Frame

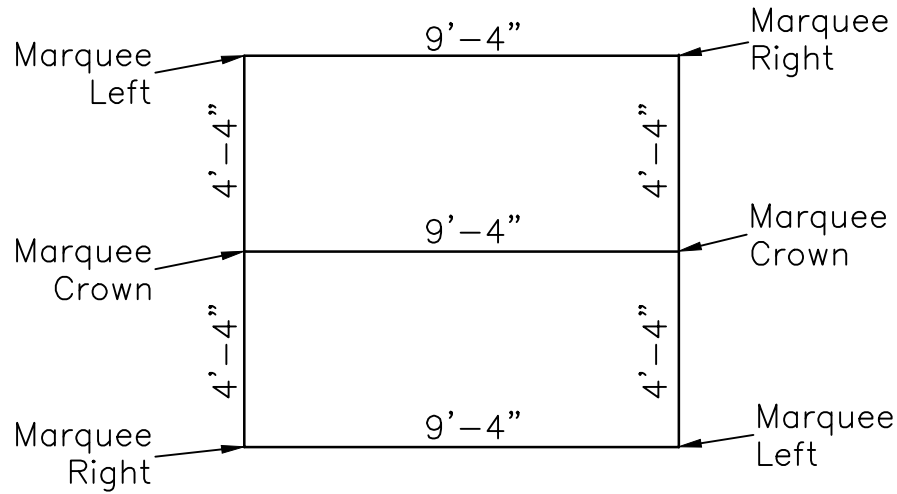
PROPRIETARY INFORMATION
THE DATA AND DETAILS SHOWN ON THIS PAGE ARE THE
SOLE PROPERTY OF FRED'S TENTS & CANOPIES. IT MAY
NOT BE USED, DISCLOSED, OR DUPLICATED IN ANY WAY.

FRED'S TENTS & CANOPIES

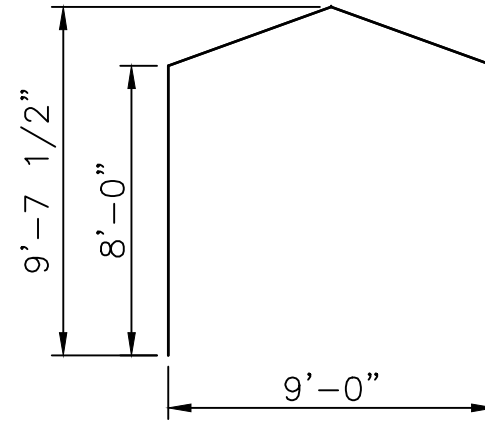
Waterford, NY 12188
www.wemaketents.com • 518.233.8368

DRAWN BY: MO	APP. BY: TV	APP. BY:	DATE: 9.1.16	LAST REV BY:
--------------	-------------	----------	--------------	--------------

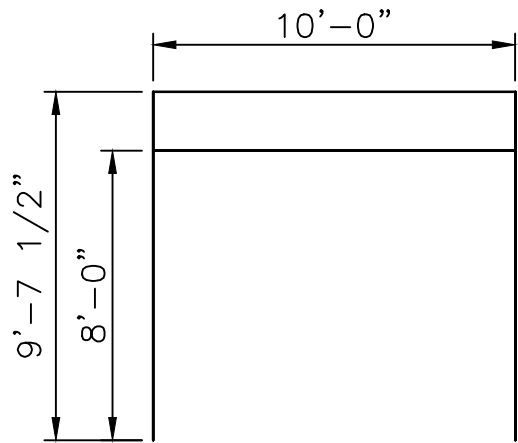
ITEM# 13854



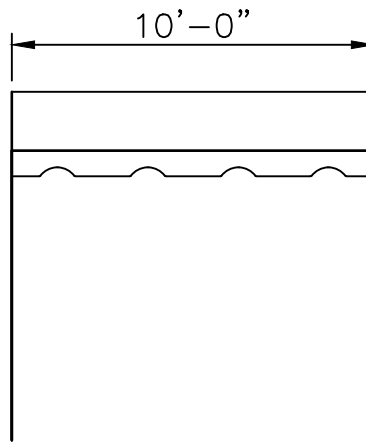
Frame Top View



Frame End View



Frame Side View



Fabric View

QTY	SIZE	ITEM#	PART	COLOR
2		15676	Marquee Left	
2		15677	Marquee Right	
2		15671	Marquee Crown	
4		15678	Offset Foot Pad	
22		15566	Pin & Bails	
4	4'-4"	15158	Hip Rafter	Yellow
3	9'-4"	15176	Spreader	White
4	7'-8"	15171	Leg	Black
4	Ø3/8"	18641	Rope	
4	1"x30"	15224	Double Head Stake	

FM2 9x10 MAR

Fred's Standard
9 x 10 Marquee
2" Frame

PROPRIETARY INFORMATION

THE DATA AND DETAILS SHOWN ON THIS PAGE ARE THE SOLE PROPERTY OF FRED'S TENTS & CANOPIES. IT MAY NOT BE USED, DISCLOSED, OR DUPLICATED IN ANY WAY.

FRED'S TENTS & CANOPIES

Waterford, NY 12188

www.wemaketents.com • 518.233.8368

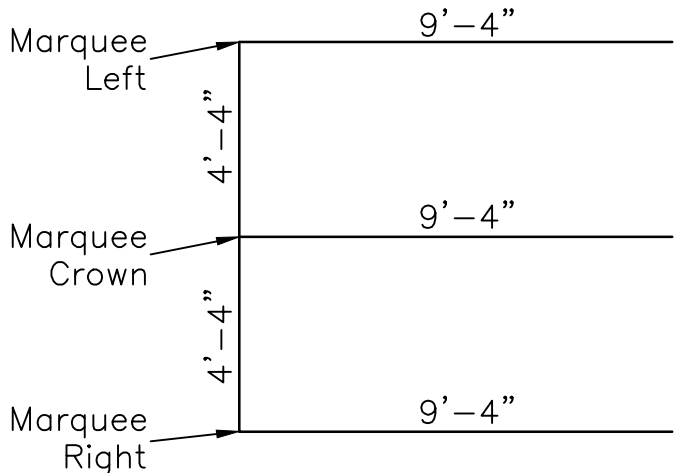
DRAWN BY: OK

APP. BY: TV

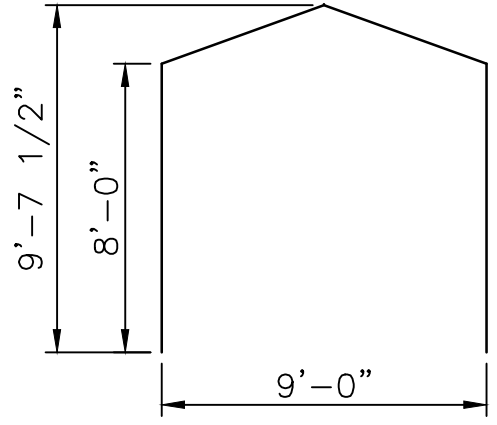
APP. BY:

DATE: 12-18-08

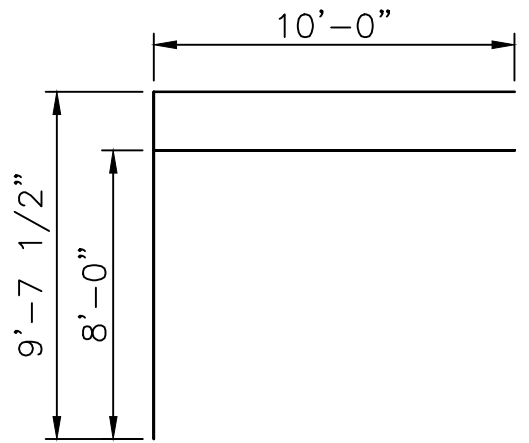
ITEM# 13853



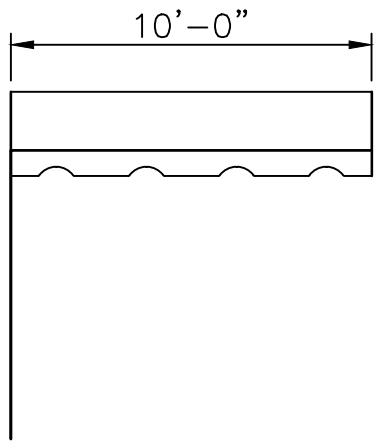
Frame Top View



Frame End View



Frame Side View



Fabric View

QTY	SIZE	ITEM#	PART	COLOR
1		15676	Marquee Left	
1		15677	Marquee Right	
1		15671	Marquee Crown	
2		15678	Offset Foot Pad	
14		15566	Pin & Bails	
2	4'-4"	15158	Hip Rafter	Yellow
3	9'-4"	15176	Spreader	White
2	7'-8"	15171	Leg	Black
2	Ø3/8"	18641	Rope	
2	1"x30"	15224	Double Head Stake	

FM2 9x10 MAR MID

Fred's Standard
9 x 10 Marquee MID
2" Frame

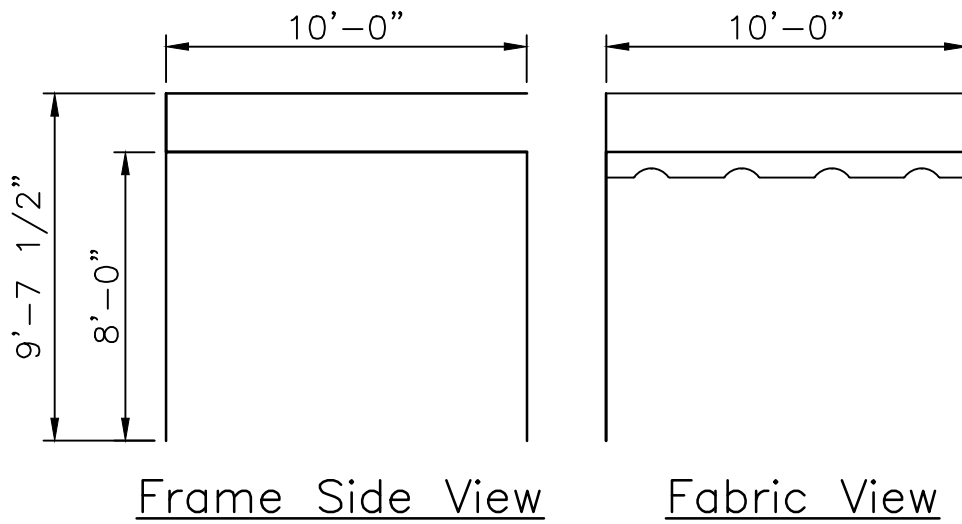
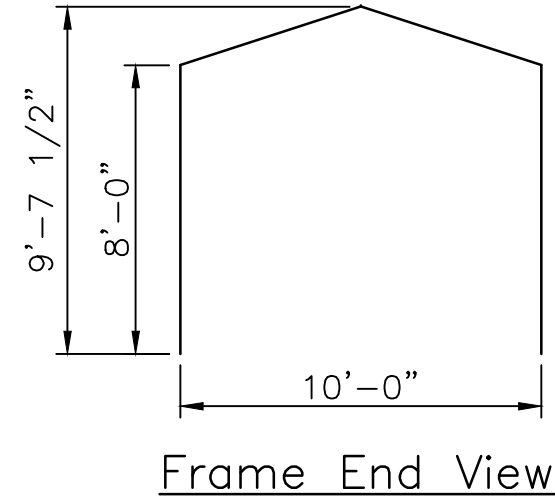
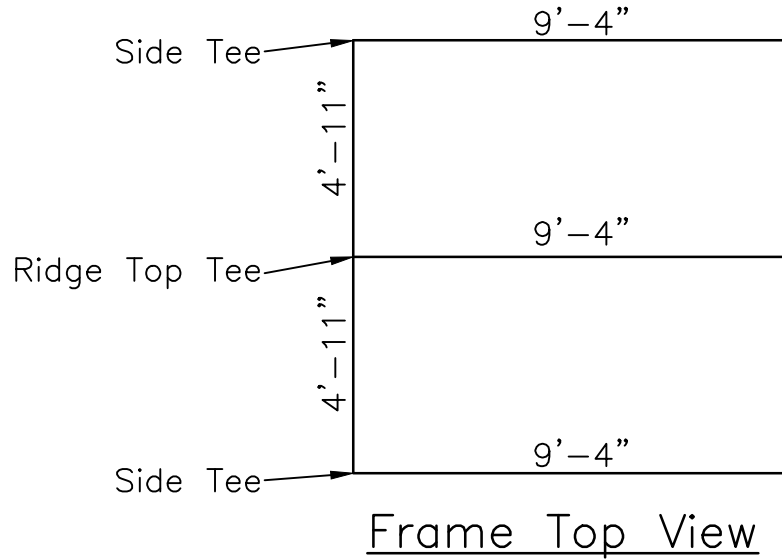
PROPRIETARY INFORMATION
THE DATA AND DETAILS SHOWN ON THIS PAGE ARE THE
SOLE PROPERTY OF FRED'S TENTS & CANOPIES. IT MAY
NOT BE USED, DISCLOSED, OR DUPLICATED IN ANY WAY.

FRED'S TENTS & CANOPIES

Waterford, NY 12188
www.wemaketents.com • 518.233.8368

DRAWN BY: MO APP. BY: TV APP. BY: DATE: 09-01-16

ITEM# 13843



QTY	TYPE/SIZE	ITEM#	PART	COLOR
2		15686	Side Tee	
1		15683	Ridge Top Tee	
2		15687	Offset Foot Pad	
14		15566	Pin & Bails	
2	4'-11"	15151	Hip Rafter	Blue
3	9'-4"	15176	Spreader	White
2	7'-8"	15171	Leg	Black
2	Ø3/8"	18641	Rope	
2	1"x30"	15224	Double Head Stake	

Customer:

Fred's Standard
FM2 10x 10' MID MAR

PROPRIETARY INFORMATION
THE DATA AND DETAILS SHOWN ON THIS PAGE ARE THE
SOLE PROPERTY OF FRED'S TENTS & CANOPIES. IT MAY
NOT BE USED, DISCLOSED, OR DUPLICATED IN ANY WAY.

FRED'S TENTS & CANOPIES

Waterford, NY 12188

www.wemaketents.com • 518.233.8368

DRAWN
BY: TV

APP.
BY: TV

APP.
BY:

DATE: 06-24-14